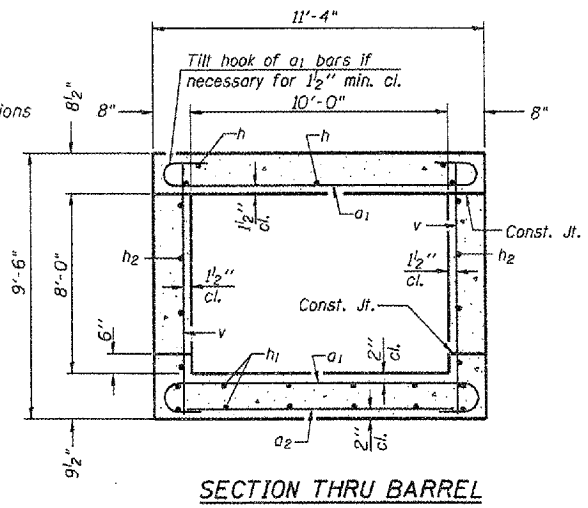
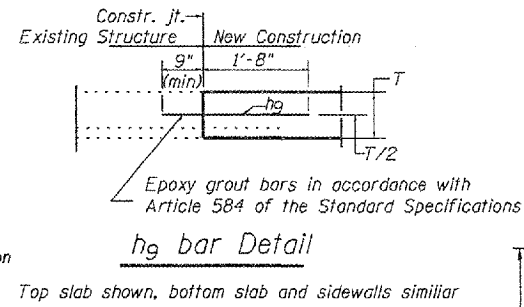
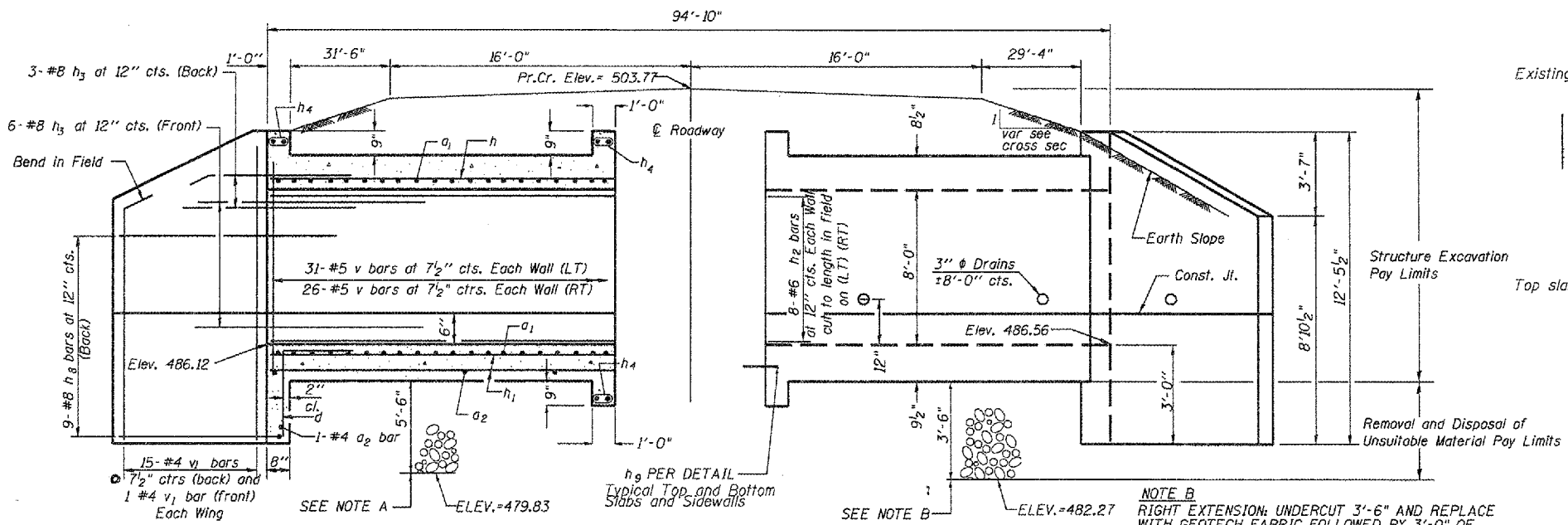


F.A.R. R.T.E.	SECTION	COUNTY	TOTAL SHEETS	SHEET NO.
315	*	FULTON	324	92
STA.	TO STA.			
FED. ROAD DIST. NO.	ILLINOIS	FED. AID PROJECT		
*109W-1,RS-2;110W,RS-1				

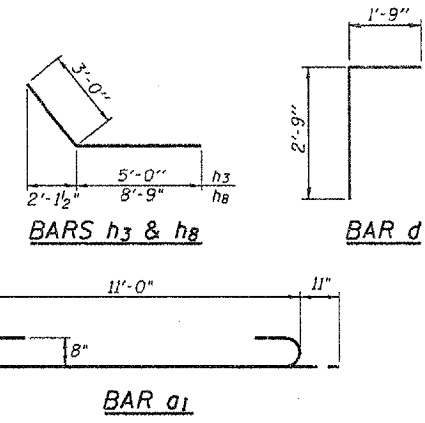


NOTE A
 LEFT EXTENSION: UNDERCUT 5'-6" AND REPLACE WITH GEOTECH FABRIC FOLLOWED BY 5'-0" OF ROCK FILL AND 6" OF CRUSHED CA7 OR CA11 CAP. AGGREGATE CAP TO BE PAID FOR AS POROUS GRANULAR EMBANKMENT.

HALF LONG. SECTION

HALF ELEVATION

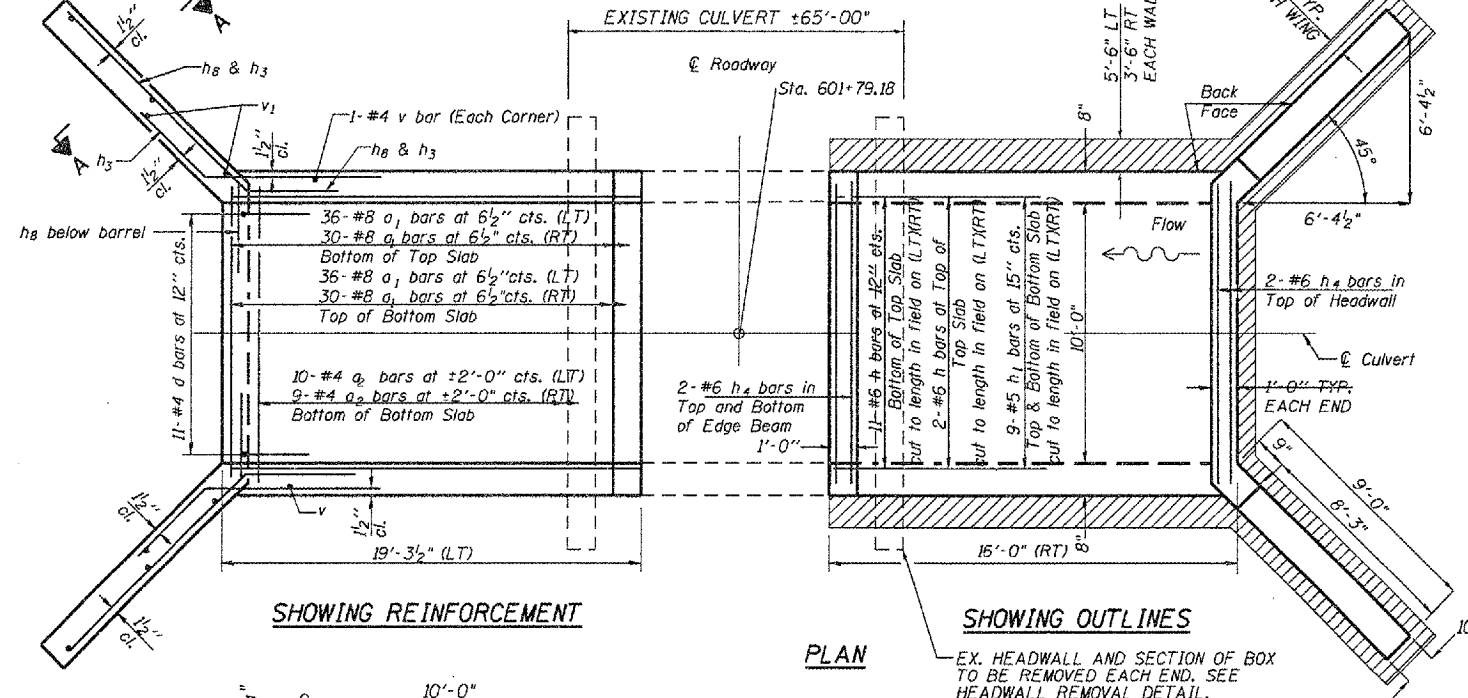
NOTE B
 RIGHT EXTENSION: UNDERCUT 3'-6" AND REPLACE WITH GEOTECH FABRIC FOLLOWED BY 3'-0" OF ROCK FILL AND 6" OF CRUSHED CA7 OR CA11 CAP. AGGREGATE CAP TO BE PAID FOR AS POROUS GRANULAR EMBANKMENT.



BILL OF MATERIAL

Bar	No.	Size	Length	Shape
a1	132	#8	12'-10"	C
a2	21	#4	10'-3"	—
d	22	#4	4'-6"	—
h	13	#6	34'-9 1/2"	—
h1	18	#5	34'-9 1/2"	—
h2	16	#6	34'-9 1/2"	—
h3	36	#8	8'-0"	—
h4	12	#6	11'-1"	—
h5	36	#8	11'-9"	—
h6	44	#5	2'-5"	—
v	118	#5	8'-0"	—
v1	64	#4	12'-0"	—

Concrete Box Culverts	Cu. Yd.	511
Reinforcement Bars	Pound	10,496
Epoxy Coated		
Concrete Removal	Cu. Yd.	23
Removal & Disposal Of Unsuitable Mat'l	Cu. Yd.	142
Porous Granular Embankment	Ton	32
Rock Fill	Ton	261
Geotechnical Fabric for Ground Stabilization	Sq. Yd.	92
Temporary Soil Retention System	Sq. Ft.	904
Structure Excavation	Cu. Yd.	97



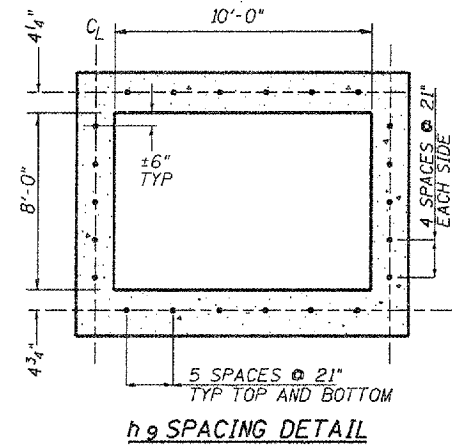
SHOWING REINFORCEMENT

SHOWING OUTLINES

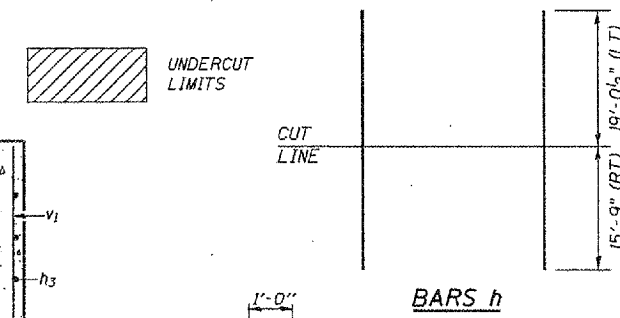
EX. HEADWALL AND SECTION OF BOX TO BE REMOVED EACH END. SEE HEADWALL REMOVAL DETAIL.

NOTES

A distance of half the length of the wingwall but not less than six feet of the barrel shall be poured monolithically with the wingwalls.
 Reinforcement Bars shall conform to the requirements of AASHTO M-31, M-42 or M-53, Grade 60.
 Bars indicated thus 12 x 4-#5 etc. indicates 12 lines of bars with 4 lengths per line.
 All construction joints shall be bonded.



hg SPACING DETAIL

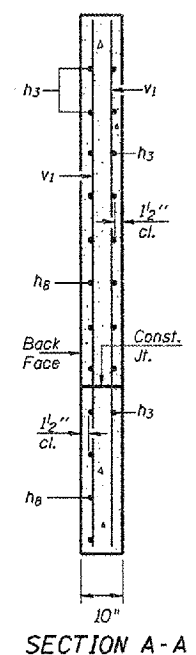


SECTION THRU HEADWALL
 (Up Stream End Only)

DESIGN STRESSES

fy = 60,000 psi
 f'c = 3,500 psi

LOADING HS 20-44 & ALT.



SECTION A-A

PRECAST OPTION NOT ALLOWED

REVISIONS	
NAME	DATE

ILLINOIS DEPARTMENT OF TRANSPORTATION
10'X8' BOX CULVERT EXTENSION
 STATION 601+79.18
 SCALE: VERT. NONE
 HORIZ. DATE 02/27/2006
 DRAWN BY CEM
 CHECKED BY

PLOT DATE: * * *
 FILE NAME: * * *
 USER NAME: * * *

SSB-H-0