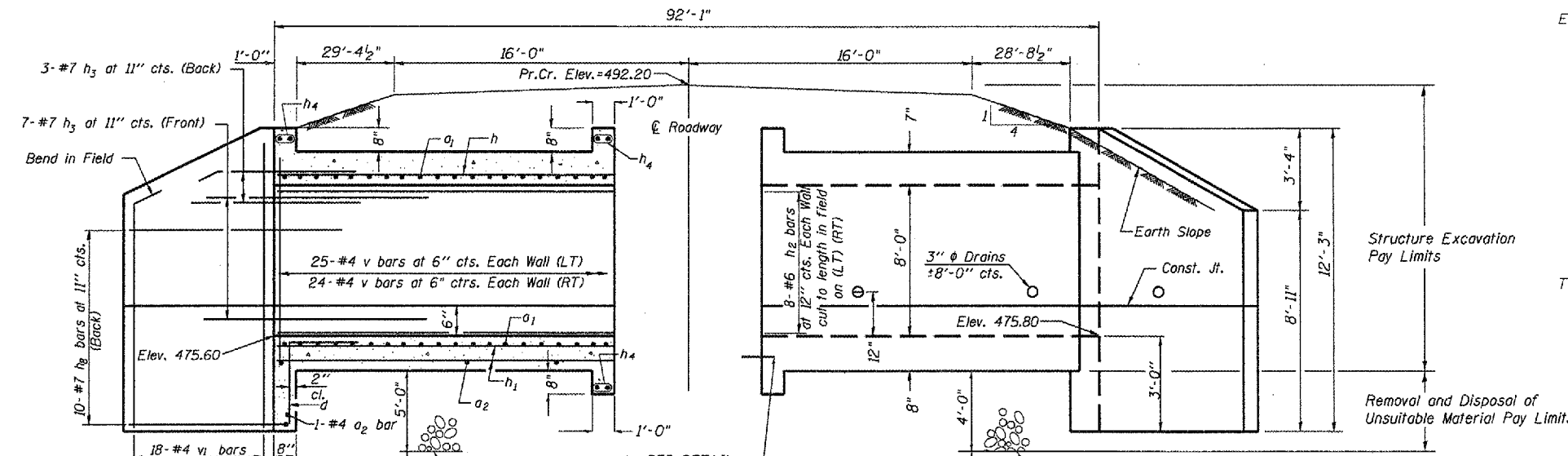
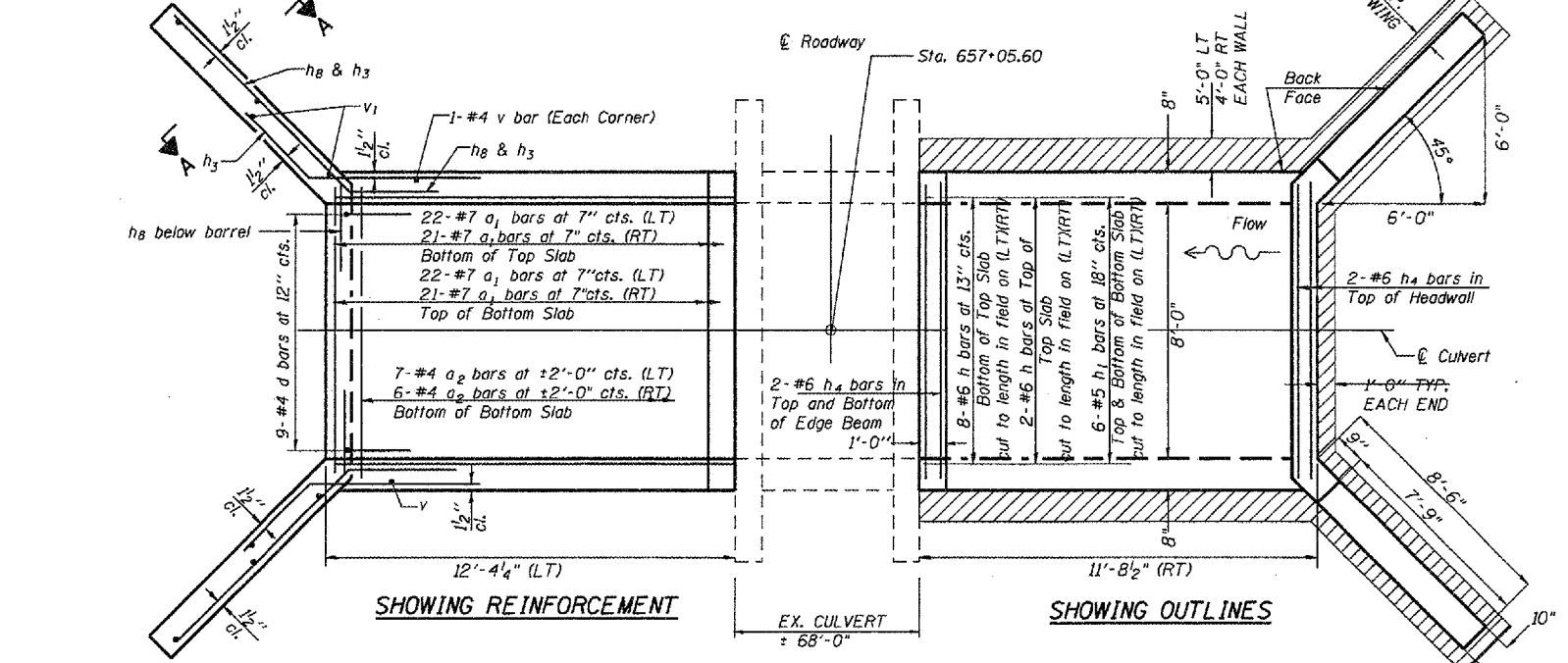


F.A.R. RTE.	SECTION	COUNTY	TOTAL SHEETS	SHEET NO.
315		FULTON	324	94
STA.		TO STA.		
FED. ROAD DIST. NO.		ILLINOIS	FED. AID PROJECT	
*109W-1,RS-2;110W,RS-1				

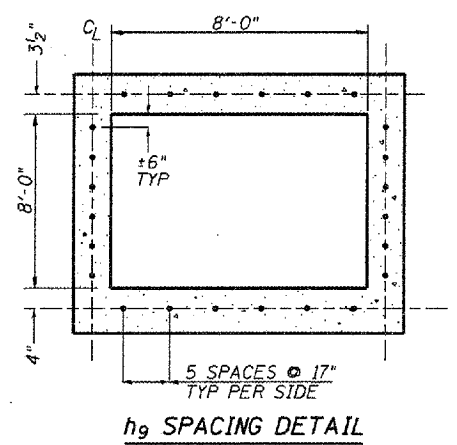


**NOTE A** Each Wing  
**HALF LONG SECTION**  
 LEFT EXTENSION: UNDERCUT 5'-0" AND REPLACE WITH GEOTECH FABRIC FOLLOWED BY 4'-6" OF ROCK FILL AND 6" OF CRUSHED CAT OR C&I CAP. AGGREGATE CAP TO BE PAID FOR AS POROUS GRANULAR EMBANKMENT

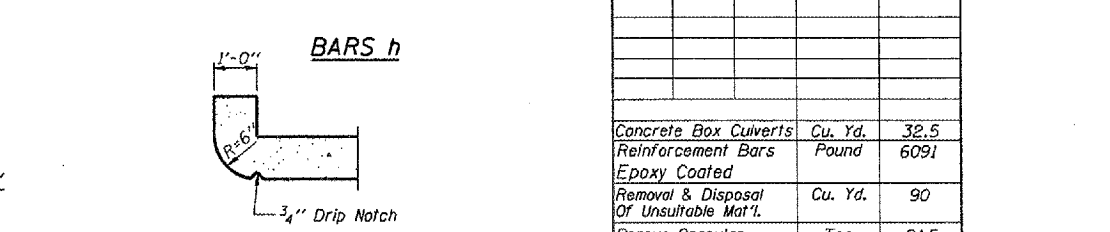
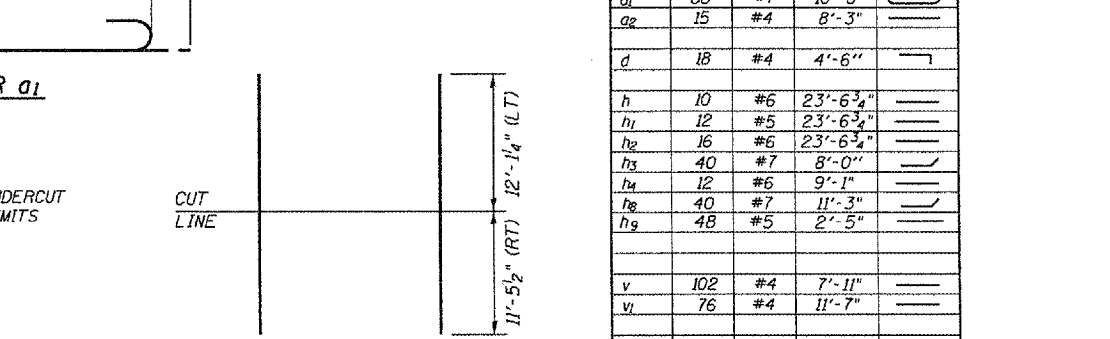
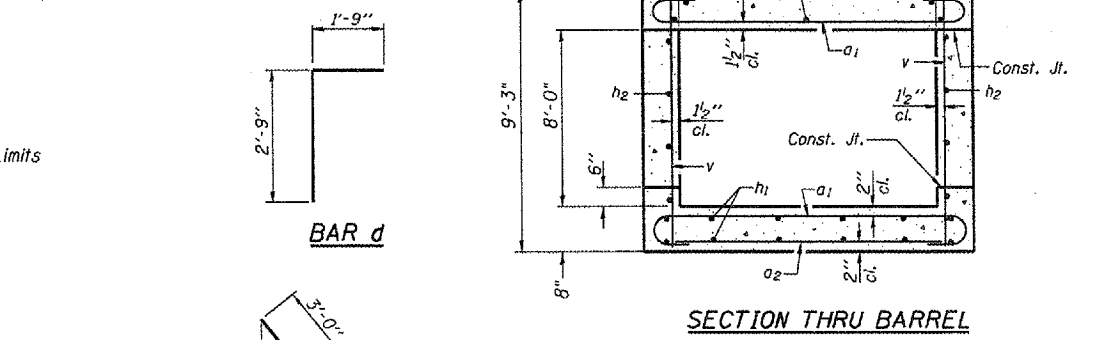
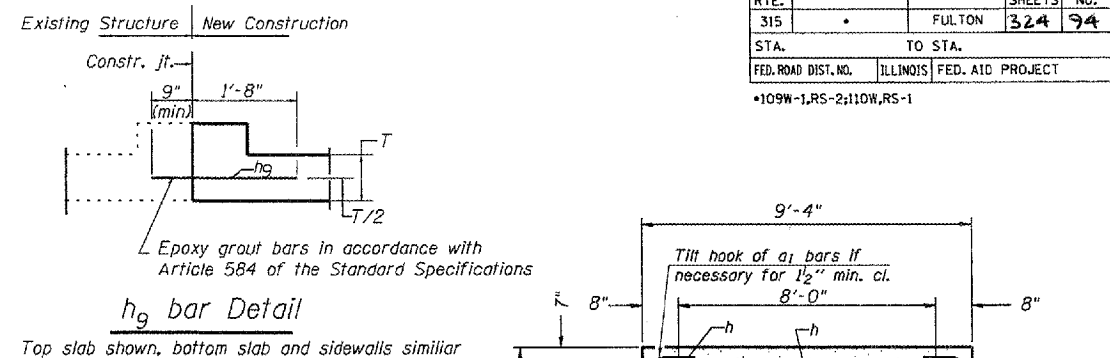
**NOTE B**  
**HALF ELEVATION**  
 RIGHT EXTENSION: UNDERCUT 4'-0" AND REPLACE WITH GEOTECH FABRIC FOLLOWED BY 3'-6" OF ROCK FILL AND 6" OF CRUSHED CAT OR C&I CAP. AGGREGATE CAP TO BE PAID FOR AS POROUS GRANULAR EMBANKMENT



**PLAN NOTES**  
 A distance of half the length of the wingwall but not less than six feet of the barrel shall be poured monolithically with the wingwalls.  
 Reinforcement Bars shall conform to the requirements of AASHTO M-31, M-42 or M-53, Grade 60.  
 Bars indicated thus 12 x 4-#5 etc. indicates 12 lines of bars with 4 lengths per line.  
 All construction joints shall be bonded.



SSB-H-0



**DESIGN STRESSES**  
 $f_y = 60,000 \text{ psi}$   
 $f'_c = 3,500 \text{ psi}$

**LOADING HS 20-44 & ALT.**

**BILL OF MATERIAL**

Bar	No.	Size	Length	Shape	
a1	86	#7	10'-8"	U	
a2	15	#4	8'-3"	—	
d	18	#4	4'-6"	—	
h	10	#6	23'-6 3/4"	—	
h1	12	#5	23'-6 3/4"	—	
h2	16	#6	23'-6 3/4"	—	
h3	40	#7	8'-0"	—	
h4	12	#6	9'-1"	—	
h8	40	#7	11'-3"	—	
h9	48	#5	2'-5"	—	
v	102	#4	7'-11"	—	
v1	76	#4	11'-7"	—	
Concrete Box Culverts				Cu. Yd.	32.5
Reinforcement Bars				Pound	6091
Epoxy Coated					
Removal & Disposal Of Unsuitable Mat'l.				Cu. Yd.	90
Porous Granular Embankment				Ton	21.5
Rock Fill				Ton	163
Geotechnical Fabric for Ground Stabilization				Sq. Yd.	59

**PRECAST OPTION NOT ALLOWED**

REVISIONS		ILLINOIS DEPARTMENT OF TRANSPORTATION	
NAME	DATE		
		8'X8' BOX CULVERT EXTENSION STATION 657+05.60	
SCALE: VERT. NONE		DRAWN BY CEM	
HORIZ. NONE		CHECKED BY	
DATE 02/22/2006			

PLOT DATE: 02/22/06  
 FILE NAME: SSB-H-0  
 USER: MUSEM