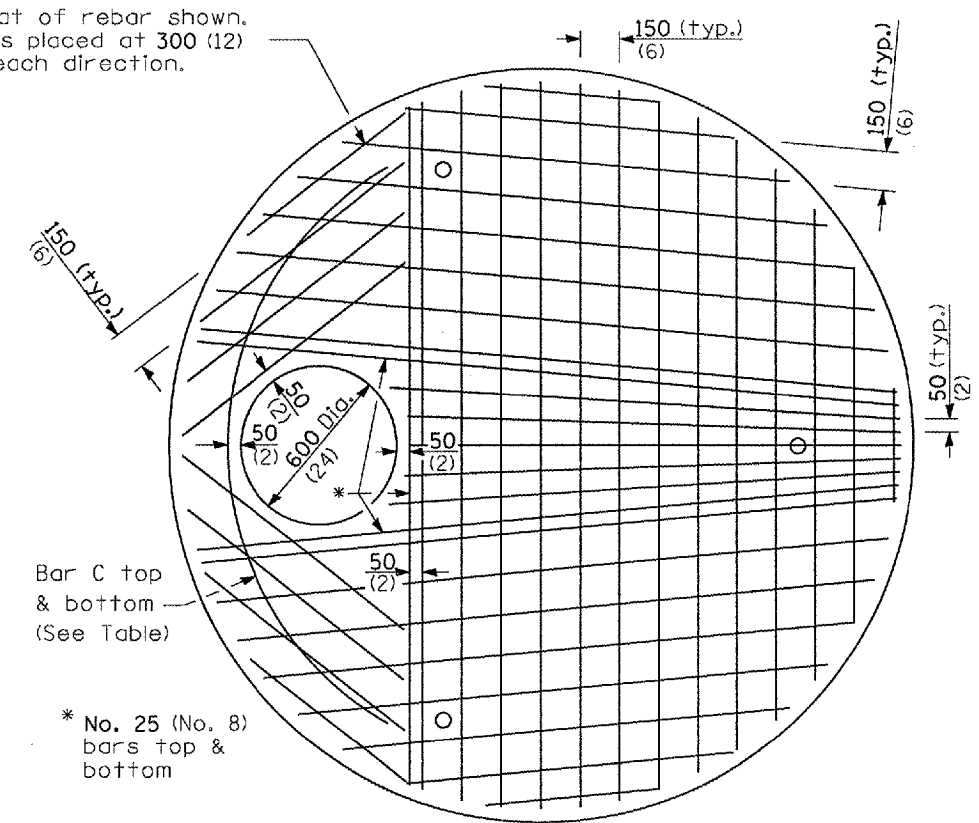


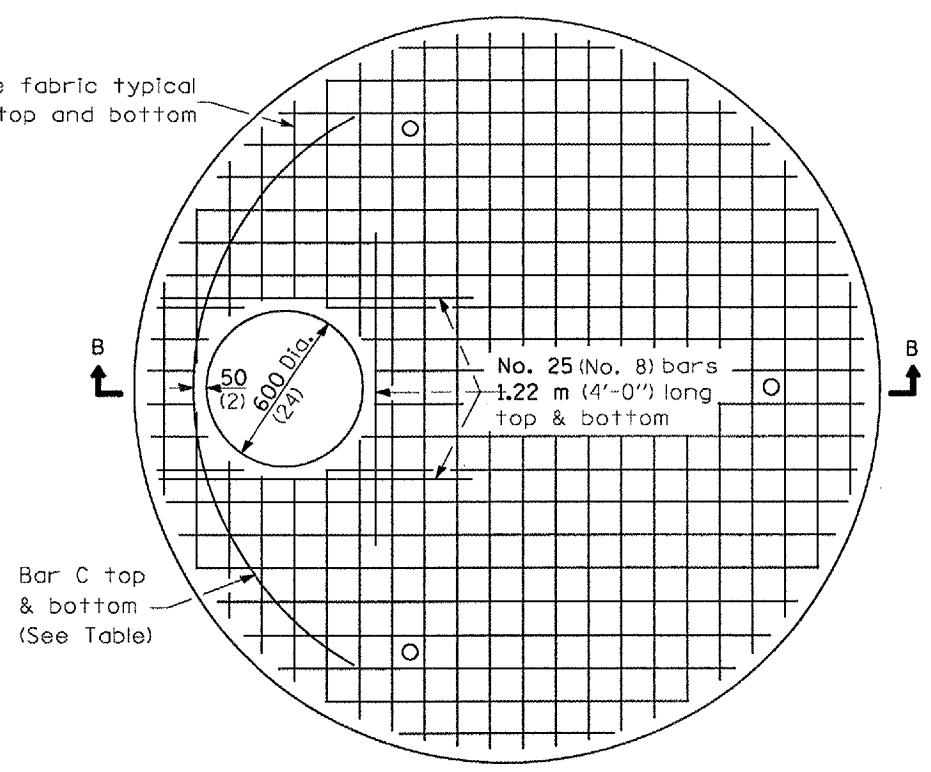
Bottom mat of rebar shown.
Top mat is placed at 300 (12)
centers each direction.



PLAN

Showing Rebar Reinforcement

Welded wire fabric typical
placed at top and bottom

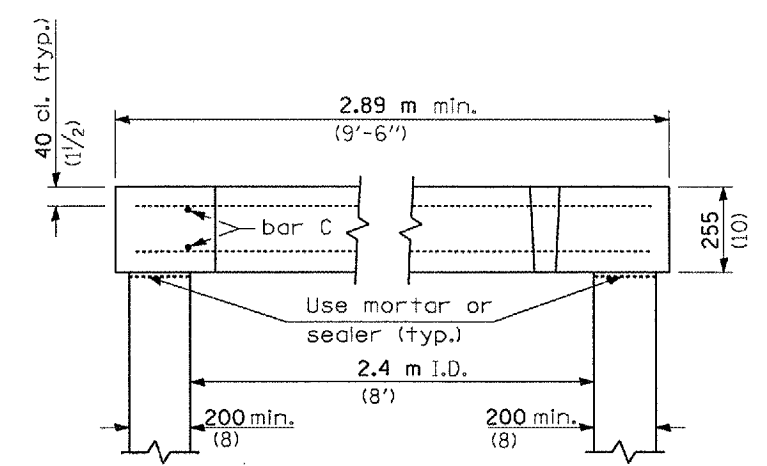


PLAN

Showing Welded Wire Fabric Reinforcement

Diameter of opening	Reinforcement Bar Size	Reinforcement "As" WWF each direction	No. 13 (No. 4) Bar C	
			Length	Radius
600 (24)	Bottom mat No. 25 (No. 8)	Bottom mat *** 3325 sq. mm/m (1.57) sq. in./ft.	2.60 m (8'-6")	1.219 m (4'-0")
	Top mat No. 13 (No. 4)	Top mat *** 470 sq. mm/m (0.22) sq. in./ft.		

*** A maximum of two layers of welded wire fabric may be used to satisfy the required "As" for each mat.



SECTION B-B

SEE STANDARD 604001 FOR FRAME AND CLOSED LID DETAIL FOR FLAT SLAB TOP

All dimensions are in millimeters (inches) unless otherwise shown.

MANHOLE TYPE A
2.4 m (8') DIAMETER
(Sheet 2 of 2)