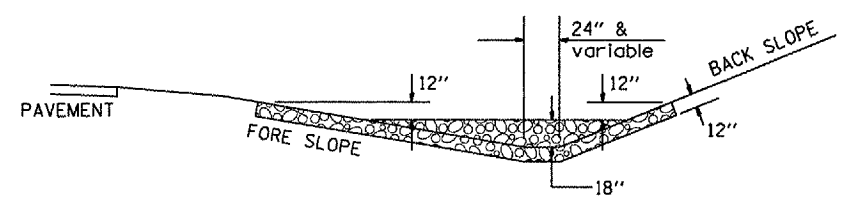


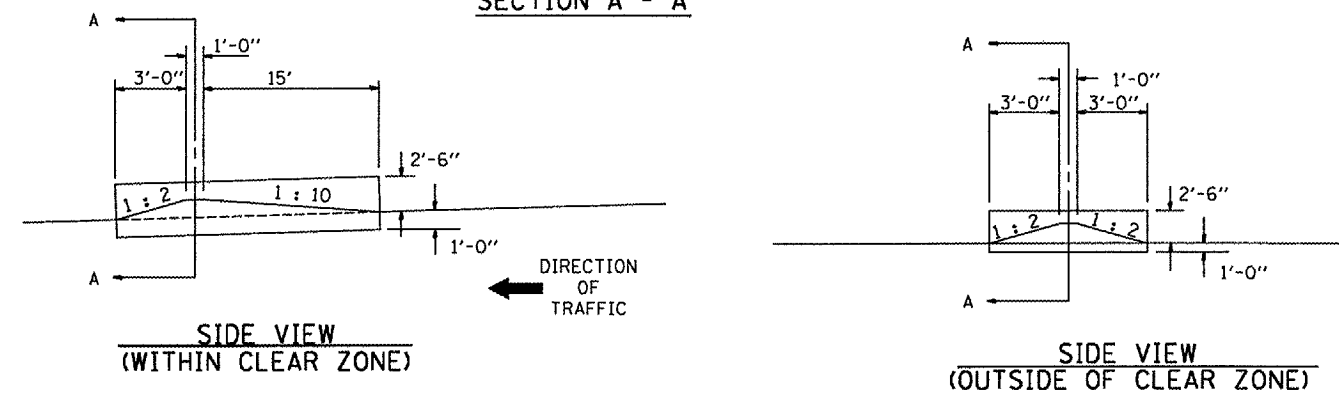
RTE.	SECTION	COUNTY	TOTAL SHEETS
315	*	FULTON	329/02
STA.	TO STA.		
FED. ROAD DIST. NO.	ILLINOIS	FED. AID PROJECT	
*109W-1,RS-2,110W,RS-1			

NOTES:

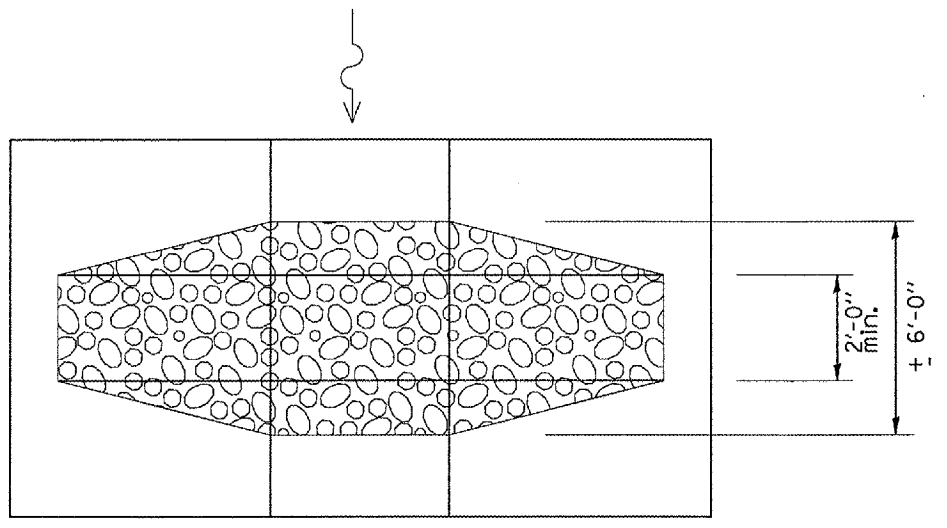
1. APPROXIMATE WEIGHT SHOWN FOR VARIOUS DITCH CHECK CONFIGURATIONS IS PROVIDED FOR INFORMATION ONLY.
2. THE CLEARZONE FOR THIS PROJECT IS APPROXIMATED AT 18 FEET FROM EDGE OF PAVEMENT



SECTION A - A



SIDE DITCH AGGREGATE DITCH CHECK



PLAN

ESTIMATE QUANTITIES

	FORE SLOPE	DITCH BOTTOM	BACK SLOPE	BERM SLOPE	AGGREGATE DITCH CHECK EROSION CONTROL (APPROX. TON)
SIDE DITCH	1 : 6	24"	1 : 4	1 : 10 & 1 : 2	55
SIDE DITCH	1 : 6	24"	1 : 4	1 : 2 & 1 : 2	21
SIDE DITCH	1 : 4	24"	1 : 3	1 : 10 & 1 : 2	20
SIDE DITCH	1 : 4	24"	1 : 3	1 : 2 & 1 : 2	15.5

STATION	CLASS	SIDE DITCH		FORE SLOPE	DITCH BOTTOM WIDTH	BACK SLOPE
		LEFT	RIGHT			
STA. 518+50.00	A3		1	1:4	24"	1:3
STA. 519+50.00	A3	1		1:4	24"	1:3
STA. 521+80.00	A3		1	1:4	24"	1:3
STA. 522+50.00	A3	1		1:4	24"	1:3
STA. 533+25.00	A3	1		1:4	24"	1:3
STA. 535+50.00	A3	1		1:4	24"	1:3
STA. 537+50.00	A3	1		1:4	24"	1:3
STA. 561+00.00	A3	1	1	1:4	24"	1:3
STA. 563+50.00	A3	1	1	1:4	24"	1:3
STA. 568+75.00	A3	1	1	1:4	24"	1:3
STA. 572+00.00	A3	1	1	1:4	24"	1:3
STA. 575+00.00	A3	1		1:4	24"	1:3
STA. 583+50.00	A5	1		1:3	48"	1:3
STA. 584+30.00	A5		1	1:3	48"	1:3
STA. 584+40.00	A5	1		1:3	48"	1:3
STA. 584+95.00	A5		1	1:3	48"	1:3
STA. 585+50.00	A5	1		1:3	48"	1:3
STA. 585+75.00	A5		1	1:3	48"	1:3
STA. 602+10.00	A3	1		1:3	48"	1:3
STA. 602+50.00	A3		1	1:3	48"	1:3
STA. 603+35.00	A3	1		1:3	48"	1:3
STA. 604+50.00	A3	1	1	1:3	48"	1:3
STA. 606+00.00	A3	1	1	1:4	24"	1:3
STA. 613+75.00	A3	1		1:4	24"	1:3
STA. 615+75.00	A3	1		1:4	24"	1:3
STA. 619+50.00	A3	1		1:4	24"	1:3
STA. 627+21.00	A5	1		1:2.75	60"	1:2
STA. 627+69.00	A5	1		1:2.75	60"	1:2
STA. 628+21.00	A5	1		1:2.75	60"	1:2
STA. 638+00.00	A3		1	1:4	24"	1:3
STA. 639+60.00	A5	1		1:4	24"	1:3
STA. 640+25.00	A5	1		1:3	48"	1:3
STA. 640+40.00	A3		1	1:4	24"	1:3
STA. 640+65.00	A5	1		1:3	48"	1:3
STA. 641+00.00	A5	1		1:3	48"	1:3
STA. 655+50.00	A4		1	1:4	24"	1:3
STA. 656+50.00	A4	1	1	1:4	24"	1:3
TOTAL		28	16			

All slope ratios are expressed as units of vertical displacement to units of horizontal displacement (V:H).

ILLINOIS DEPARTMENT OF TRANSPORTATION

STONE RIPRAP DITCH CHECK

SCALE: NOT DRAWN TO SCALE
DATE **DATE**
DRAWN BY CADD
CHECKED BY

cs:/projects/usi36sum/usi36culvert.ts.dgn