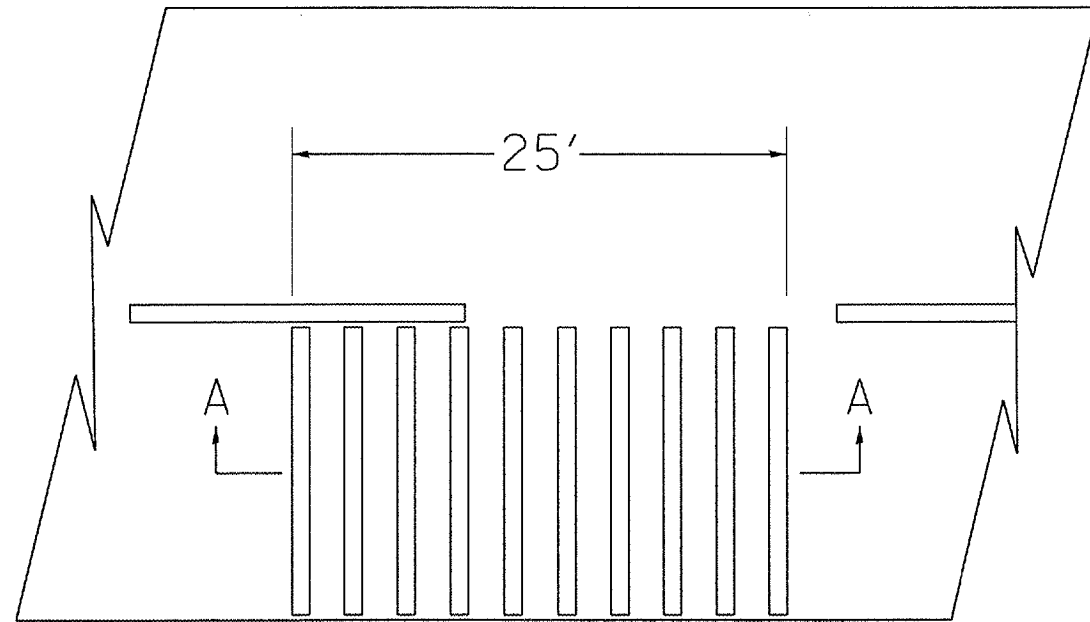
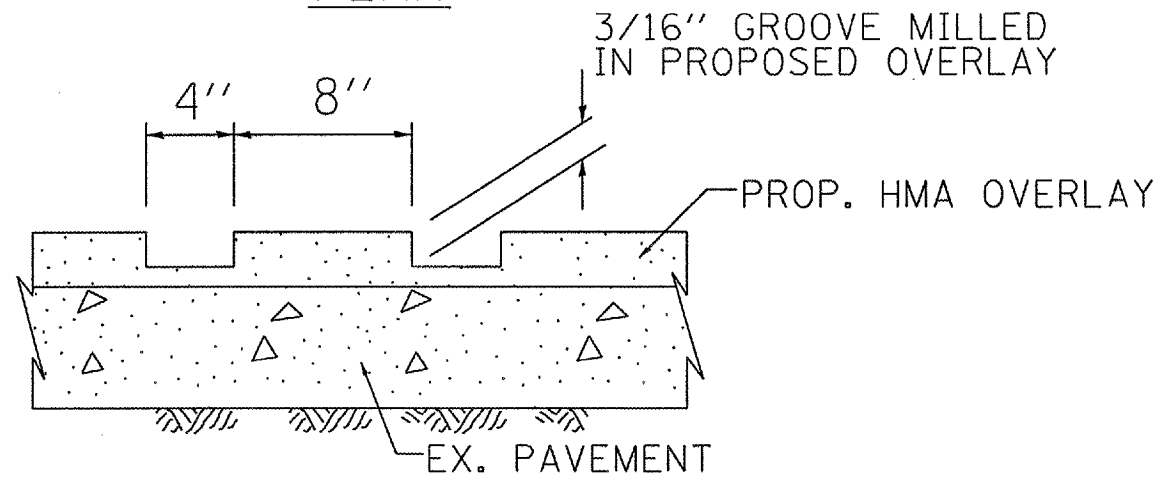


F.A.P. RTE.	SECTION	COUNTY	TOTAL SHEETS	SHEET NO.
315	.	FULTON	324	106
STA.		TO STA.		
FED. ROAD DIST. NO. 4 ILLINOIS FED. AID PROJECT				
*109W-1,RS-2;110W,RS-1				



PLAN



SECTION A-A

RUMBLE STRIP
DETAIL

SCALE: NOT DRAWN TO SCALE

DRAWN BY CEM
CHECKED BY