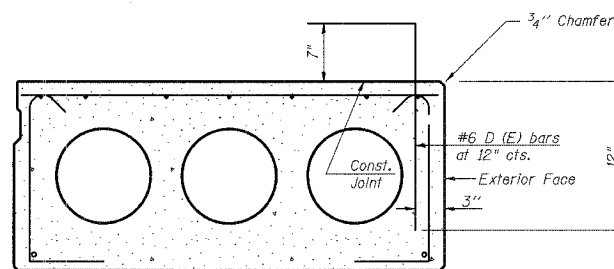
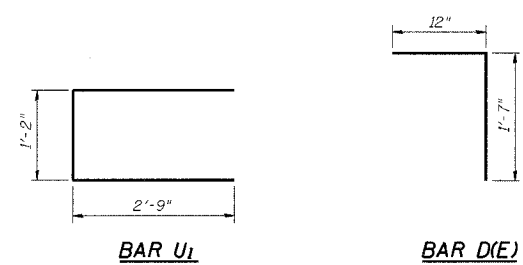
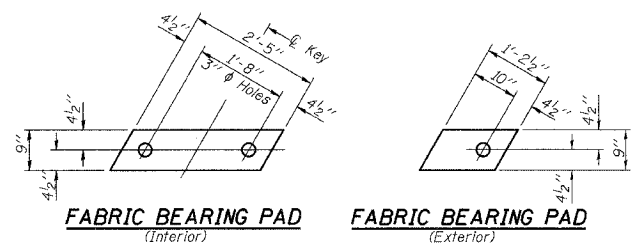
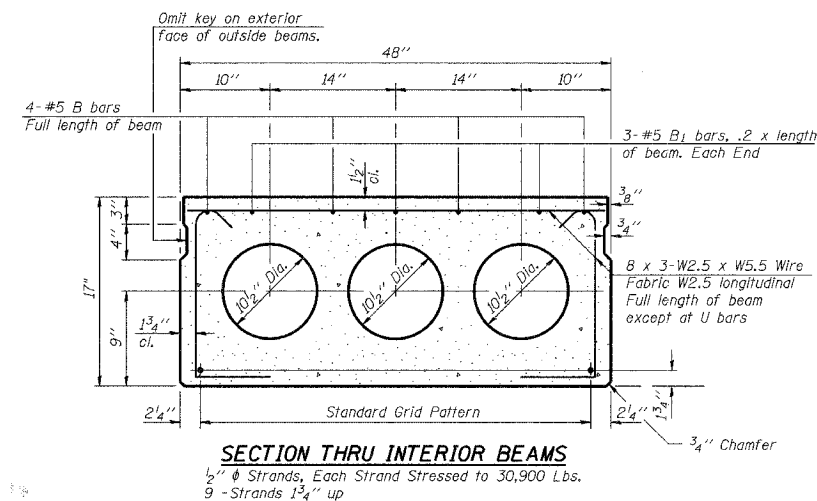


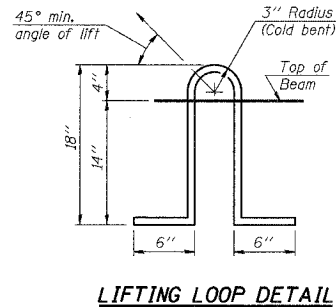
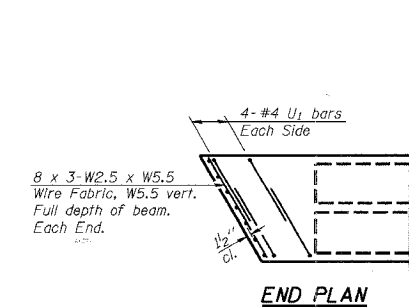
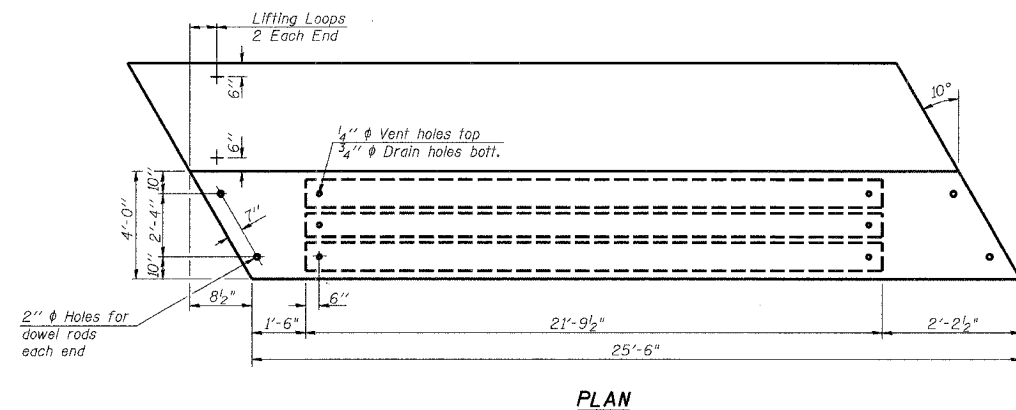
RTE.	SECTION	COUNTY	TOTAL SHEETS	SHEET NO.
9th	05-00142-00-BR	COLES	16	10
STA. 14+00		TO STA.15+80		



**SECTION THRU EXTERIOR BEAMS**  
 See Section Thru Interior Beams for strand pattern, dimensions and bar call outs. D (E) bars shall be placed in the two exterior beams each side of superstructure.



Note:  
 Place strands symmetrically about center of beam.



**NOTES**

Prestressing steel shall be uncoated high strength, low relaxation 7-wire strand, Grade 270. The nominal diameter shall be 1/2" and the nominal cross-sectional area shall be 0.153 sq. in. Lifting loops shall be 2 - 1/2" phi-270 ksi strands, as shown. Non prestressing steel shall conform to AASHTO M-31, M-42 or M-53 Grade 60. The bearing seat surfaces shall be adjusted by shimming to assure firm and even bearing. Two 1/2" fabric adjusting shims of the dimensions of the Exterior Bearing Pad shall be provided for each bearing. Keyway surfaces shall be cleaned to remove form oil or other bond breaking material prior to shipment of the beams. Cleaning shall be done by sandblasting the keyway areas between top of the beam and the bottom edge of the key. Corrosion Inhibitor, as covered in Art. 1020.05(b)(12) of the Standard Specifications, shall be used in the concrete for precast prestressed concrete deck beams. Required Release Strength, f'ci, shall be 4,000 p.s.i.

**BILL OF MATERIAL**

Bar	No.	Size	Length	Shape
B	96	#5	25'-2"	—
B1	144	#5	5'-0"	—
Bx(E)	4	#5	25'-2"	—
D (E)	208	#6	2'-7"	┘
U1	384	#4	6'-8"	—
Precast Prestressed Conc. Deck Bms.		Sq. Ft.	2,448	

REVISIONS	
NAME	DATE

ILLINOIS DEPARTMENT OF TRANSPORTATION  
**DECK BEAM 1 DETAILS**  
 9th St. Over Kickapoo Creek  
 SECTION 05-00142-00-BR  
 CITY OF MATTOON STA. 14+95  
 STRUCTURE NO. 015-6339

SCALE: N.T.S. DRAWN BY  
 DATE CHECKED BY