

F.A.S.	SECTION	COUNTY	TOTAL SHEETS	SHEET NO.
807	01-0069-00-RS	WABASH	4	4
FED. ROAD DIST. NO. 7		ILLINOIS	LANCASTER NORTH	
JOB NO. RS-807(108)			CONTRACT # 95527	

LEC JOB # H041015WB

**SCHEDULE OF PAVEMENT MARKINGS**

STATION	TO	STATION	LOCATION	LENGTH - FOOT
155+94.95		236+02.80	CENTERLINE	8008
155+94.95		189+48	EDGELINE	3353
189+85		236+02.80	EDGELINE	4618
155+94.95		182+22	EDGELINE	2627
182+56		235+80	EDGELINE	5324
156+38		159+20	NO PASSING	282
183+96		190+98	NO PASSING	702
188+88		199+21	NO PASSING	1033
205+22		214+02	NO PASSING	880
211+45		220+21	NO PASSING	876
				TOTAL 21,580

THE ABOVE QUANTITY IS SHOWN IN THE PAVEMENT MARKING-LINE 4" IN THE SUMMARY OF QUANTITIES.

**SCHEDULE OF MAILBOX TURNOUTS**

STATION	LOCATION	EST. QUANTITY ALLOWED TONS
164+94	RT.	2.8
168+40	RT.	2.2
179+90	RT.	2.1
187+62	RT.	3.6
201+94	RT.	3.0
204+94	RT.	3.4
212+77	RT.	2.3
216+80	RT.	2.6
223+68	RT.	2.5
233+82	RT.	1.3
TOTAL		25.8

THE ABOVE QUANTITY IS INCLUDED IN THE HOT-MIX ASPHALT SURFACE COURSE, MIX "C", N50 IN THE SUMMARY OF QUANTITIES.

**SCHEDULE OF PRIVATE AND FIELD ENTRANCES**

STATION	LOCATION	BC SC SUPER "C" N50 (IN TONS)
156+04	RT	2.6
156+20	LT	21.2
157+29	RT	7.0
158+00	RT	0.9
158+84	RT	1.7
160+53	LT	2.4
161+94	RT	2.7
165+11	RT	1.4
168+55	LT	3.0
168+78	RT	2.5
169+00	RT	3.1
169+65	LT	2.0
172+77	RT	1.8
175+44	LT	4.0
176+93	LT	3.0
177+00	RT	3.4
179+97	LT	2.1
182+26	LT	3.1
182+62	RT	5.9
183+04	LT	2.4
188+10	RT	5.0
191+50	LT	2.3
199+14	RT	2.6
202+27	LT	4.1
205+23	RT	3.3
212+50	RT	1.5
212+60	LT	2.4
216+76	RT	2.7
220+00	RT	2.6
221+50	LT	1.8
221+53	RT	1.6
223+50	RT	2.5
223+95	LT	2.8
225+87	RT	2.3
233+69	RT	2.3
235+28	RT	3.2
TOTAL		119.3 TON

THE ABOVE QUANTITY IS INCLUDED IN THE HOT-MIX ASPHALT SURFACE COURSE, MIX "C", N50 IN THE SUMMARY OF QUANTITIES.

**SCHEDULE OF PAV'T REMOVAL AND REPLACEMENT SPECIAL**

STATION	TO	STATION	LOCATION	WIDTH (FEET)	SQ. YD.	TON
159+39			AT PIPE CULVERT	20.5	12.5	7.7
204+29			AT PIPE CULVERT	20.5	17.1	10.5
208+61			AT PIPE CULVERT	20.5	14.8	9.1
213+61		214+11	RT. EDGE	5.0	27.8	17.1
219+66			AT PIPE CULVERT	20.5	13.7	8.4
223+02			AT PIPE CULVERT	20.5	13.7	8.4
231+98			AT PIPE CULVERT	20.5	23.8	14.6
TOTALS					123.3	75.9

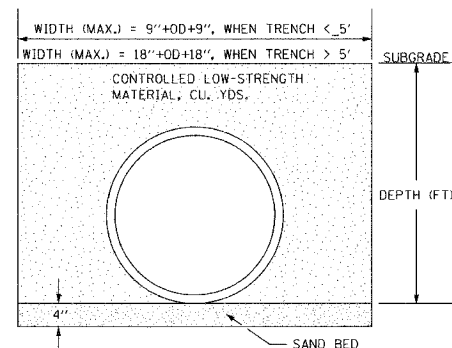
THE SCHEDULE ABOVE REFLECTS APPROXIMATE LOCATION AND ESTIMATED QUANTITIES. THE ACTUAL AREAS SHALL BE LOCATED AND MARKED BY THE ENGINEER PRIOR TO CONSTRUCTION. THE ABOVE QUANTITY IS INCLUDED IN PAVEMENT REMOVAL AND REPLACEMENT SPECIAL IN THE SUMMARY OF QUANTITIES.

**SCHEDULE OF AGGREGATE SHOULDER STONE IN TANGENT**

STATION	TO	STATION	LOCATION	ALLOWED TONS EST. QUANTITY
155+94.95		236+02.80	LT.	372.6
155+94.95		236+02.80	RT.	372.6
TOTAL				745.2

THE ABOVE QUANTITY IS FOR THE ENTIRE SECTION AND IS INCLUDED IN THE QUANTITY FOR AGGREGATE SHOULDERS, TYPE B IN THE SUMMARY OF QUANTITIES.

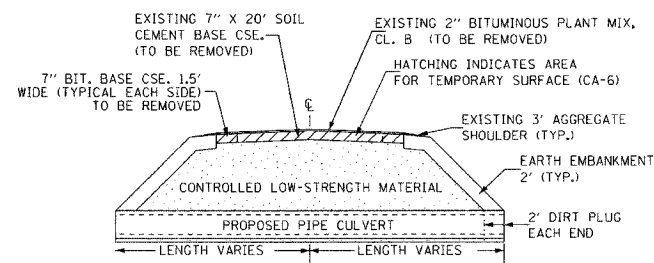
**DETAIL OF ACROSS ROAD REINFORCED CONCRETE CULVERT PIPES**



**PROPOSED TYPICAL CROSS SECTION AT PIPE CULVERTS**

**AT PIPE CULVERTS**

FOR PAVEMENT REMOVAL AND REPLACEMENT (SPECIAL) SEE SCHEDULE



NOTE: 4" SAND BED REQUIRED UNDER PIPE

**SCHEDULE OF AR PIPE CULVERTS, CLASS C**

STATION	SIZE	LENGTH	TYPE	CONTROLLED LOW-STRENGTH MATERIAL	TEMPORARY SURFACE (CA6)
159+39	24"	44'	2	25.9 CY	6.9 T
204+29	48"	50'	2	47.6 CY	9.4 T
208+61	36"	60'	2	79.5 CY	8.1 T
219+66	30"	50'	2	49.8 CY	7.5 T
223+02	30"	44'	2	31.7 CY	7.5 T
231+98	48"	91'	2	133.0 CY	13.1 T
TOTAL				367.4 CY	TOTAL 52.5 T

CULVERT FLOWLINES SHALL MATCH EXISTING FLOWLINES

323 W. 3RD ST.  
P.O. BOX 160  
MT. CARMEL, IL  
62863  
PHONE:  
(618)-262-8651  
FAX:  
(618)-263-3327

405 W. STATE ST.  
SUITE 1  
PRINCETON, IN  
47670  
PHONE:  
(812)-385-7611  
FAX:  
(812)-385-2812



PROFESSIONAL DESIGN FIRM  
LAND SURVEY & PROFESSIONAL ENGINEERING CORPORATION  
184-00887  
(62-032435)(35-002769)



AARON M. MEFFORD  
NAME  
SIGNATURE  
DATE  
11-30-09  
EXPIRES