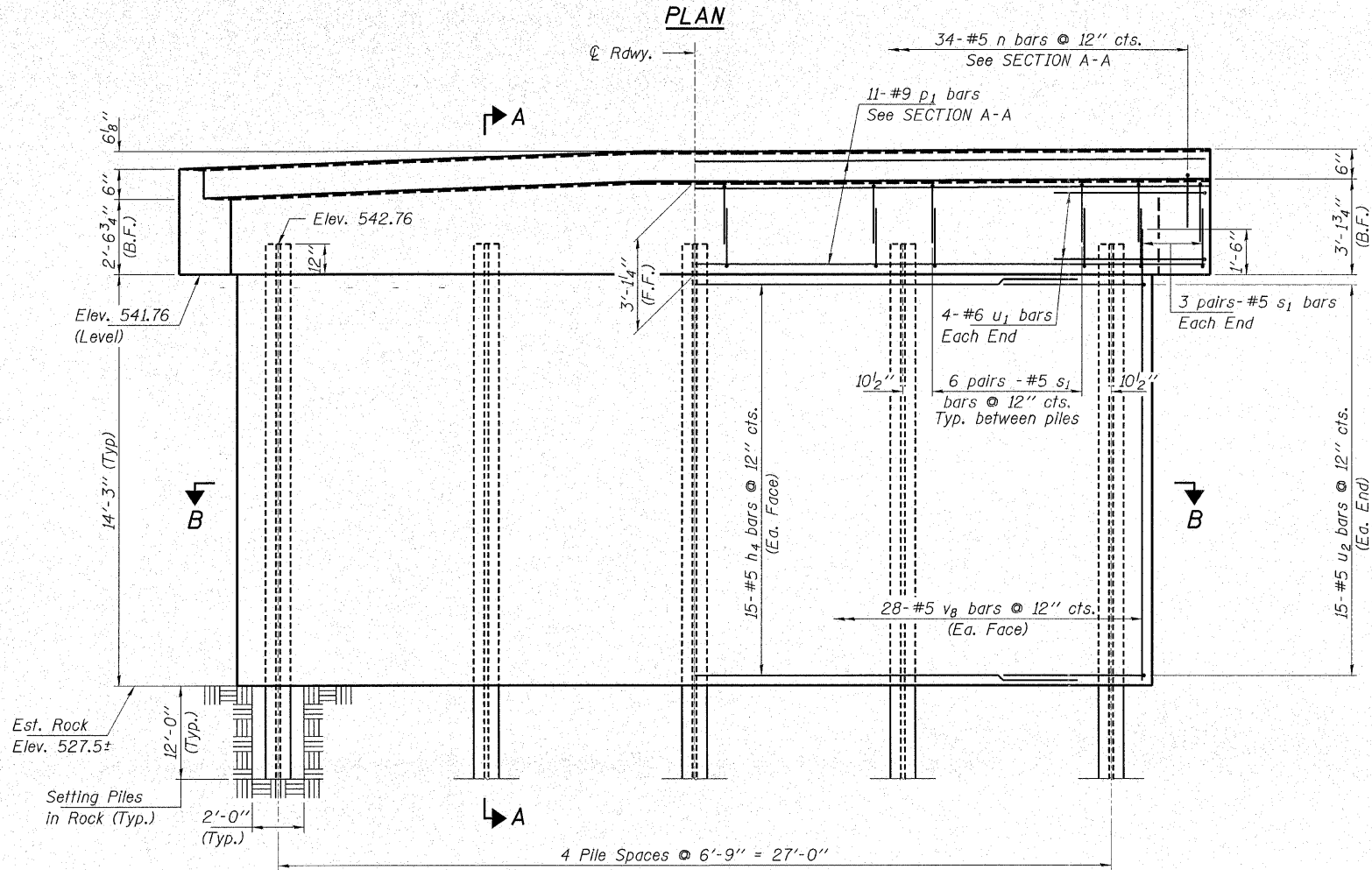
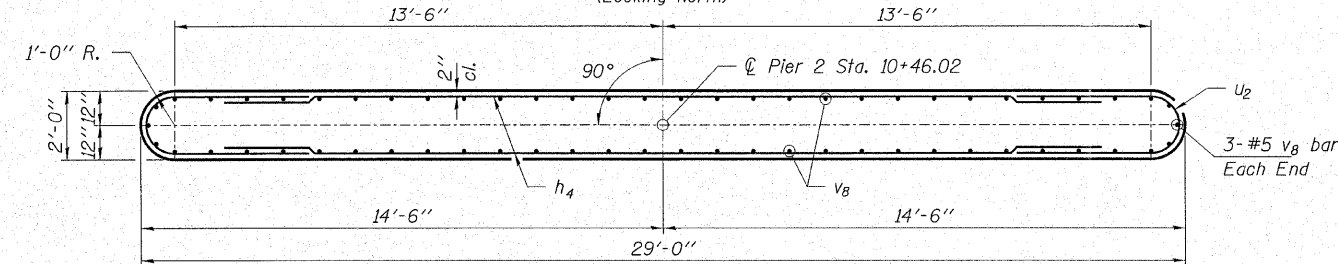


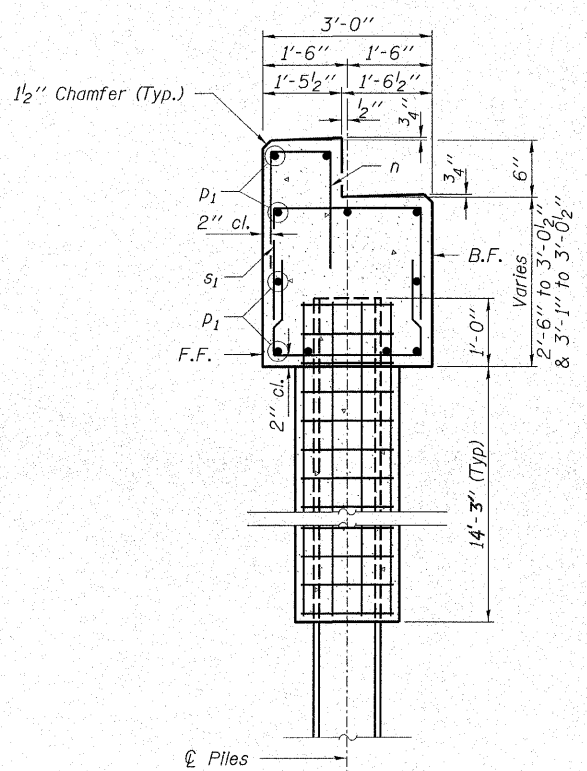
PLAN



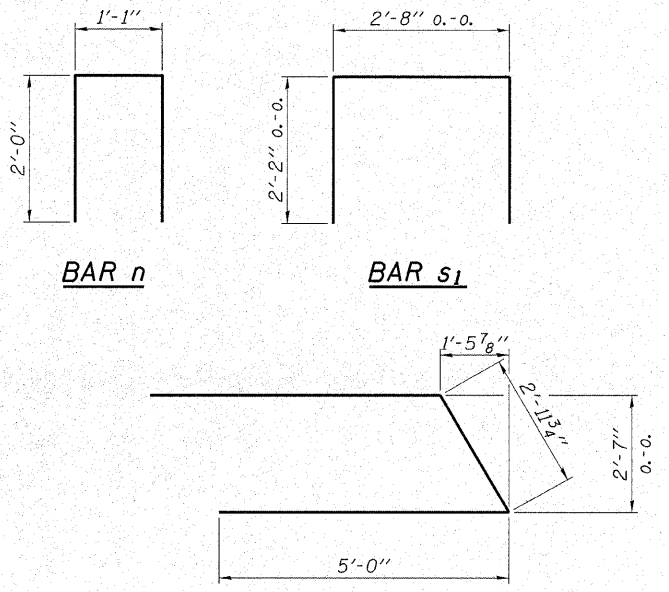
ELEVATION
(Looking North)



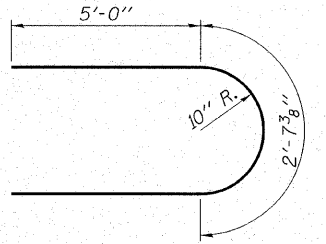
SECTION B-B



SECTION A-A



BAR u1



BAR u2

BILL OF MATERIAL - PIER 2

BAR	NO.	SIZE	LENGTH	SHAPE
h4	30	#5	27'-0"	—
n	34	#5	5'-1"	Π
p1	11	#9	32'-7"	—
s1	60	#5	6'-6"	Π
u1	8	#6	13'-0"	∩
u2	30	#5	12'-8"	∩
v8	62	#5	15'-7"	—
Concrete Structures			Cu. Yd.	41.8
Reinforcement Bars			Pound	4,470
Steel Piles HP12x53			Foot	140
Setting Piles in Rock			Each	5
Underwater Str. Exc. Prot. Loc. 2			Each	1

PILE DATA

Type.....Steel HP12x53
 No. Req'd.....5
 Allowable Resistance Available.....140 Kips/Pile
 Est. Length.....28 Feet/Pile

Notes: The Steel H-Piles shall be according to AASHTO M270 Grade 50.
 See Sheet 17 for pile details.

HAMPTON, LENZINI & RENWICK, INC.
 CIVIL & STRUCTURAL ENGINEERS
 LAND SURVEYORS
 3085 STEVENSON DRIVE, SUITE 201
 SPRINGFIELD, ILLINOIS 62703
 (217) 546-3400

ELGIN • SPRINGFIELD

PROJECT NUMBER: 12-23-0026-1 DATE: 10/30/07
 DESIGNED: R.J.P. CHECKED: S.W.M. DRAWN: D.T.M.

PIER 2
SECTION 06-06109-00-BR
DOUGLAS ROAD DISTRICT
CLARK COUNTY
STRUCTURE NO. 012-3329 / STATION 10+00