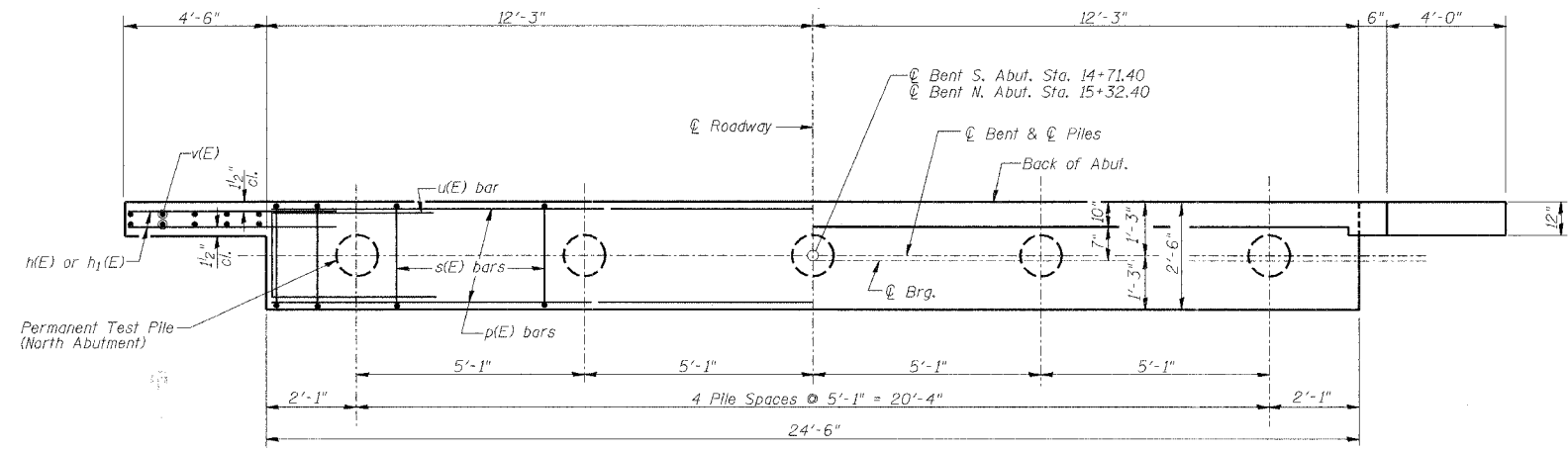


ROUTE NO.	SECTION	COUNTY	TOTAL SHEETS	SHEET NO.
T.R. 256	06-III16-00-BR	MACON	14	13
FED. ROAD DIST. NO.	ILLINOIS PROJECT: BROS-115(63)			

CONTRACT NO. 95530

NOTES

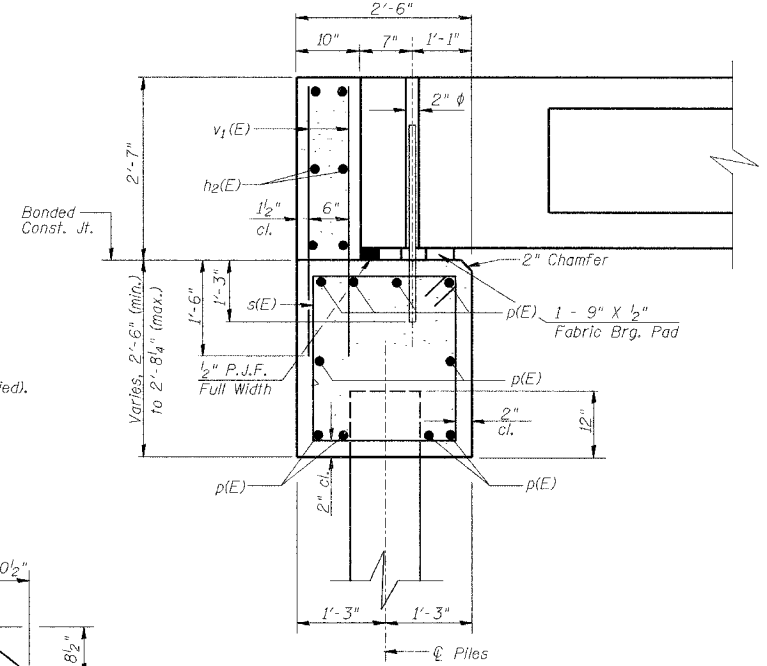
- The Backwall and the portion of the Wingwalls above the bonded construction joint shall be cast against the in-place beam.
- 1" dia. x 2'-6" dowel rods in 1 1/2" dia. holes drilled in cap (4 each beam). Dowel rods to be grouted after beams are in place and allowed to cure (min. 24 hrs.) prior to grouting the shear keys. The grout shall be an approved non-shrink grout.
- Reinforcement bars designated (E) shall be Epoxy coated.
- Space reinforcement in cap to miss dowel rods.
- All Elev. given at Bk. of Abut. unless otherwise noted
- The Metal Shell Piles shall be according to ASTM A 252 Grade 3.
- The Test Pile shall be driven to 110 percent of the Nominal Required Bearing indicated in the Pile Data information.
- Reinforcement bars shall conform to the requirements of ASTM A706 Grade 60 (II. Modified). See special provisions.



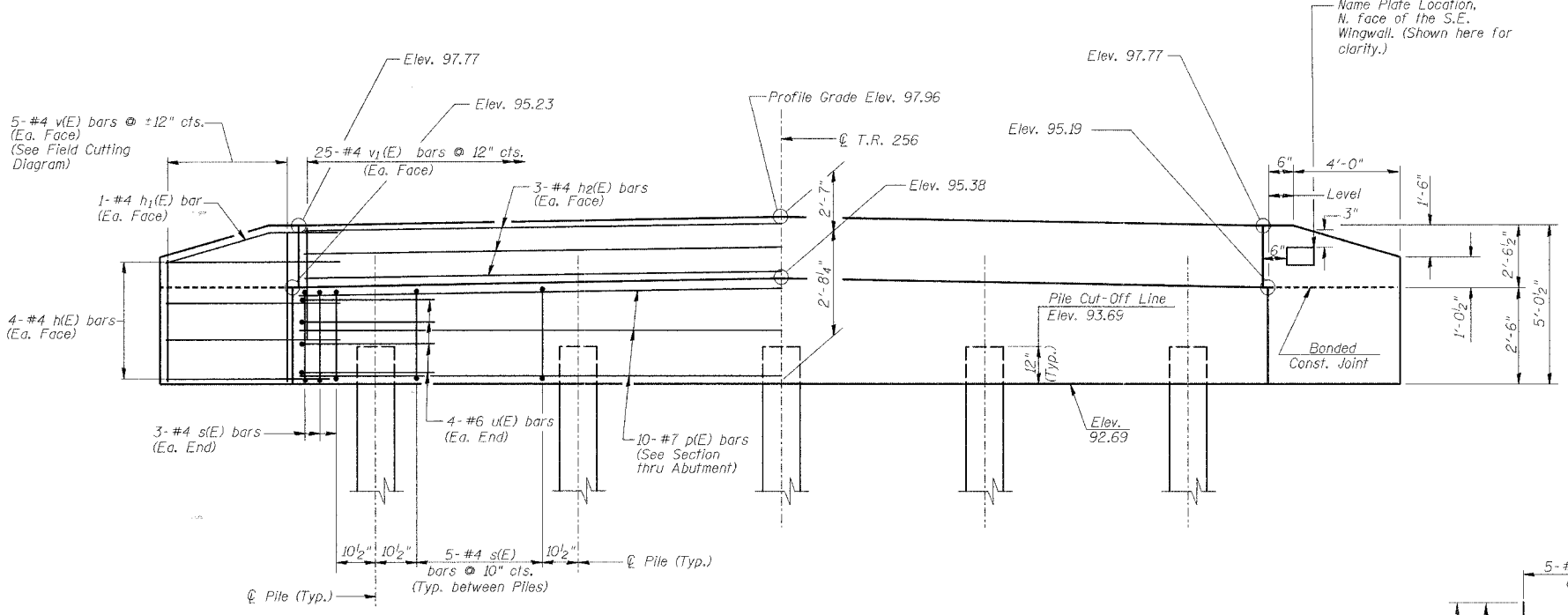
PLAN

PILE DATA

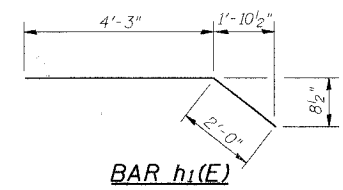
Type & Size: Metal Shell - 12" in. dia. x 0.25 in. walls
 Nominal Required Bearing: 216 Kips
 Allowable Resistance Available: 72 Kips
 Estimated Length: 22'-0" South Abutment
 24'-0" North Abutment
 No. Required: South Abutment - 5
 North Abutment - 4 Plus 1 Permanent Test Pile



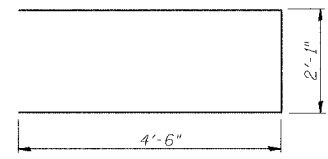
SECTION THRU ABUT.
(At Rt. Angles)



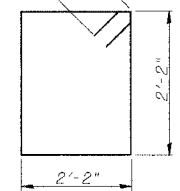
ELEVATION



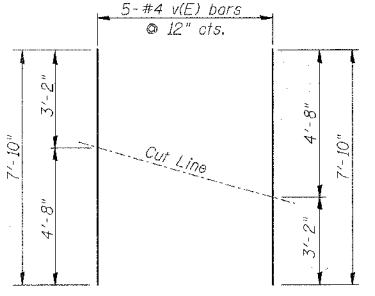
BAR h1(E)



BAR u(E)



BAR s(E)



FIELD CUTTING DIAGRAM

Order bars full length. Cut to fit as shown and use remainder of bars in other face.

BILL OF MATERIAL SOUTH & NORTH ABUTMENTS

Bar	No.	Size	Length	Shape
h(E)	32	#4	6'-0"	—
h1(E)	8	#4	6'-3"	—
h2(E)	12	#4	24'-2"	—
p(E)	20	#7	24'-2"	—
s(E)	52	#4	9'-5"	□
u(E)	16	#6	11'-1"	—
v(E)	20	#4	7'-10"	—
v1(E)	100	#4	3'-11"	—
Concrete Structures			Cu. Yd.	18.6
Reinforcement Bars, Epoxy Coated			Pound	2320
Furnishing Metal Shell Piles 12"			Foot	206
Driving Piles			Foot	206
Test Pile Metal Shells			Each	1

SOUTH & NORTH ABUTMENTS

Date	Designed MJP	T.R. 256 OVER BIG CREEK SECTION 06-III16-00-BR MACON COUNTY STA. 15+01.90 PROP. STR. NO. 058-3389	Sheet No.
Revisions	Drawn BKN		4
	Checked KWB		of 5
	Approved KWB		URS Job No. 36431783
Prepared by:	URS 345 East Ash Avenue Decatur, IL 62526		