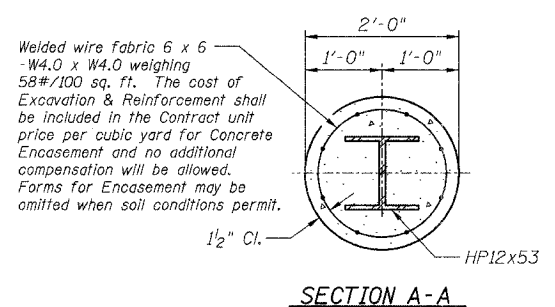
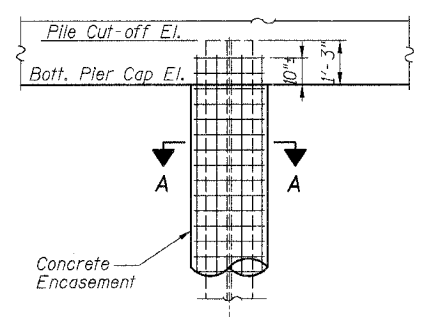


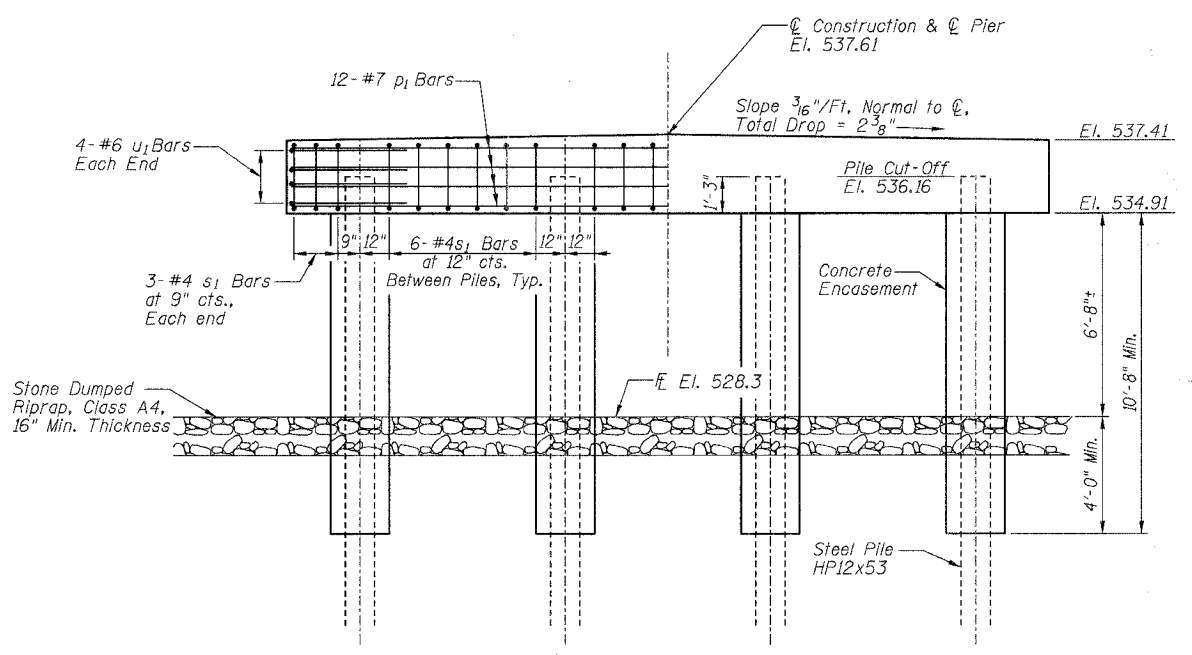
SECTION THRU PIER



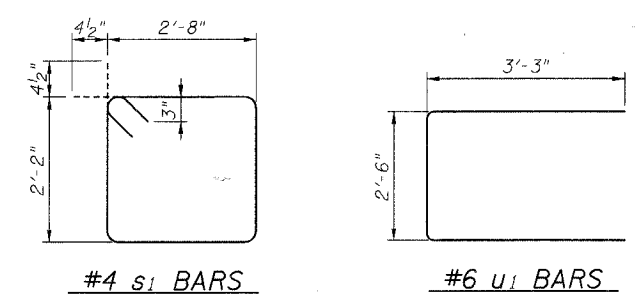
SECTION A-A



PILE ENCASEMENT DETAIL

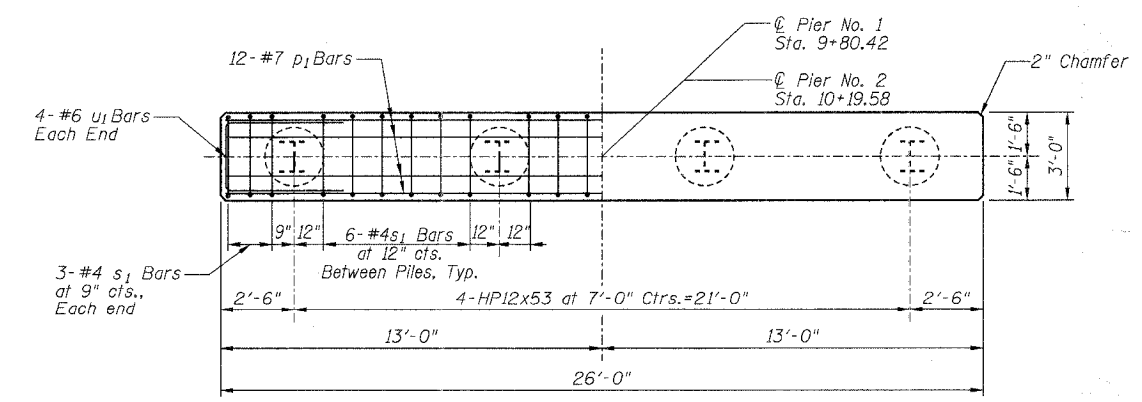


ELEVATION



#4 s1 BARS

#6 u1 BARS



PLAN

BILL OF MATERIALS ONE PIER				
Bar	No.	Size	Length	Shape
p ₁	12	#7	25'-8"	—
s ₁	24	#4	10'-5"	□
u ₁	8	#6	9'-0"	□
Concrete Structures			Cu. Yd.	7.6
Concrete Encasement			Cu. Yd.	5.0
Reinforcement Bars			Pound	900

PILE DATA

Type and Size: Steel HP12x53
 Nominal Required Bearing: 419 kips
 Allowable Resistance Available: 139 kips
 Estimated Length:
 Pier No. 1: 65 Foot
 Pier No. 2: 65 Foot
 Number of Production Piles:
 Pier No. 1: 4 Each
 Pier No. 2: 4 Each
 Number of Test Piles:
 Pier No. 1: None
 Pier No. 2: None

GENERAL NOTES

All exposed edges shall have standard 3/4" chamfer, unless otherwise noted.
 All clearances between rebar and form surface shall be 2", unless otherwise noted.
 Space reinforcement in cap to miss PPCDB dowel rods.
 The Steel H-piles shall be according to AASHTO M270 Grade 50.

PIER DETAILS
PROPOSED BRIDGE OVER
LITTLE CREEK
TR 254
SECTION 06-12121-00-BR
FAYETTE COUNTY, ILLINOIS