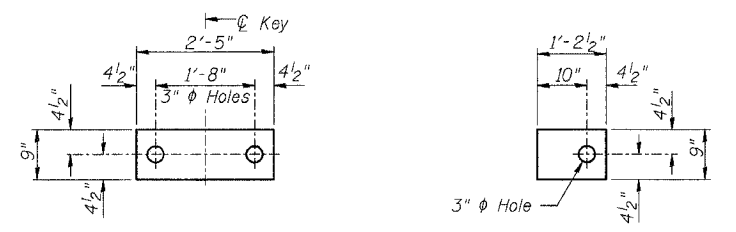
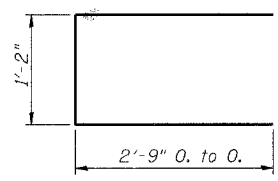


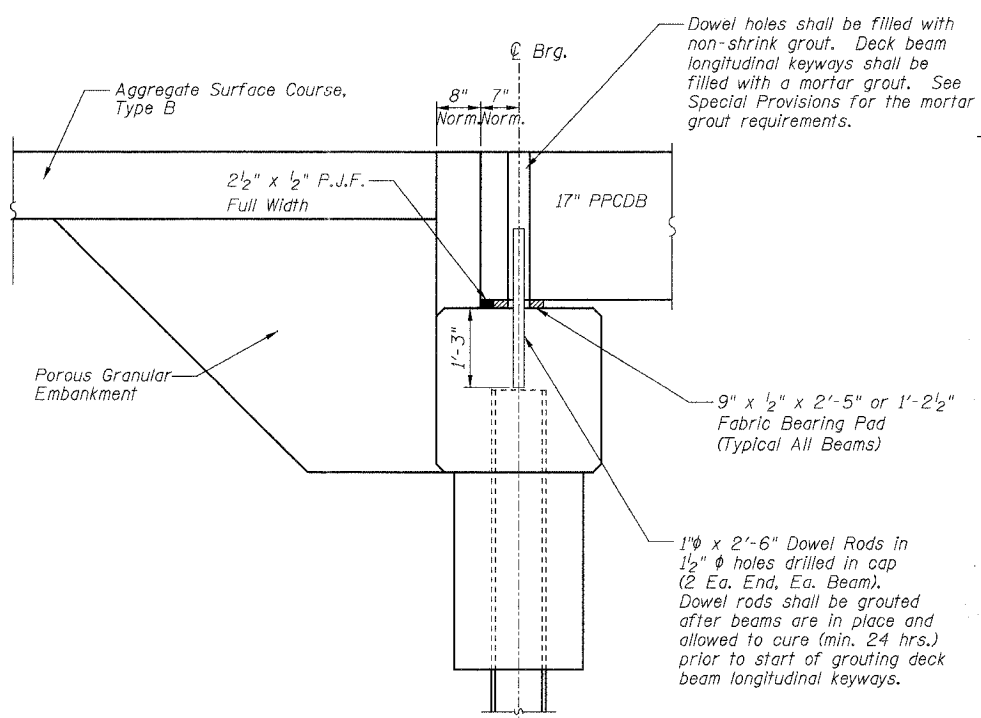
ROUTE	SECTION	COUNTY	TOTAL SHEETS	SHEET NO.
TR 373	05-12115-00-BR	CLAY	9	7
FED. ROAD DIST. NO. 7		ILLINOIS	FED. AID PROJECT	
CONTRACT NO. 95536				



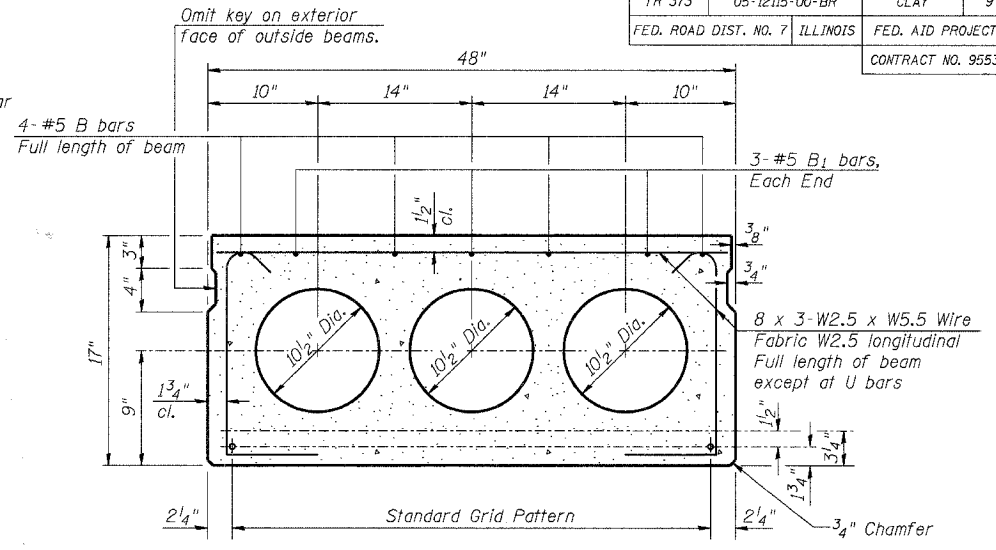
**FABRIC BEARING PAD (Interior)**  
**FABRIC BEARING PAD (Exterior)**



**BAR U**



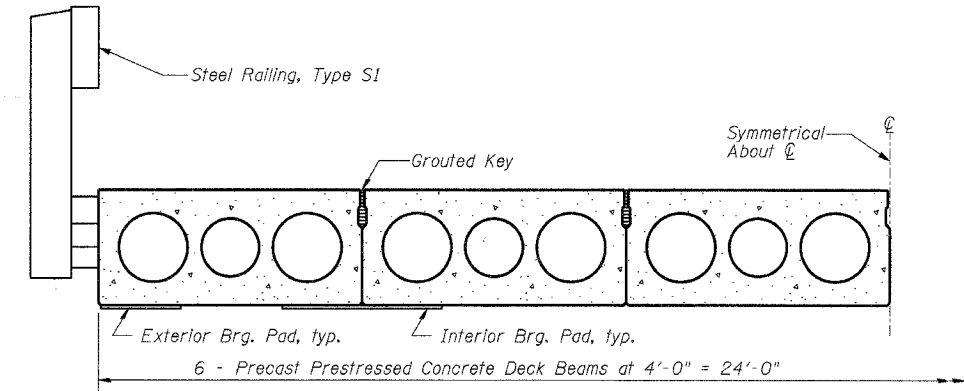
**FIXED BEARING ABUTMENT**



**TYPICAL SECTION**

14 - 1/2"  $\phi$  Strands, Each Strand Stressed to 28,900 Lbs.  
10 - Strands 1 3/4" up, 4 - Strands 3/4" up

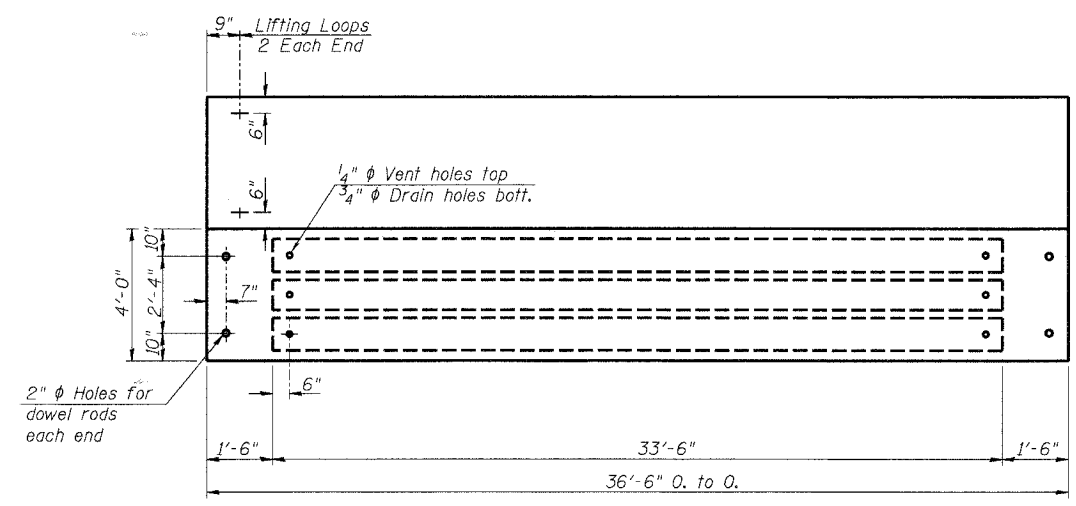
Note: Place strands symmetrically about  $\phi$  of beam.



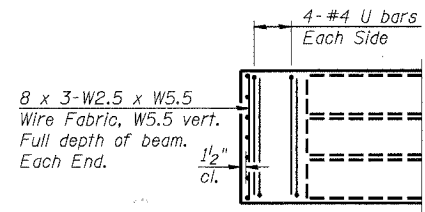
**HALF CROSS SECTION**

**BILL OF MATERIAL FOR ONE BEAM**

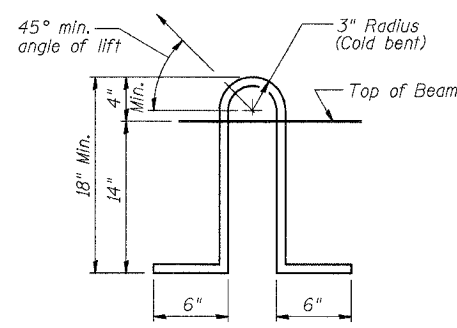
Bar	No.	Size	Length	Shape
B	4	#5	36'-2"	—
B1	6	#5	7'-6"	—
U	16	#4	6'-8"	U
Precast Prestressed Conc. Deck Bms.			Sq. Ft.	146
Reinforcement Bars			Pound	270
Total Weight Each Beam			Pound	21960



**PLAN**



**END PLAN**



**LIFTING LOOP DETAIL**

**NOTES**

- Prestressing steel shall be uncoated high strength, stress-relieved 7-wire strand, Grade 270.
- The nominal diameter shall be 1/2" and the nominal cross-sectional area shall be 0.153 sq. in.
- Lifting loops shall be 3 - 1/2"  $\phi$  - 270 ksi strands, as shown.
- Non prestressing steel shall conform to ASTM A706 (IL MOD), Grade 60.
- The bearing seat surfaces shall be adjusted by shimming to assure firm and even bearing. Two 1/8" fabric adjusting shims of the dimensions of the Exterior Bearing Pad shall be provided for each bearing.
- Keyway surfaces shall be cleaned to remove form oil or other bond breaking material prior to shipment of the beams. Cleaning shall be done by sandblasting the keyway areas between top of the beam and the bottom edge of the key.
- Required Release Strength, f'ci, shall be 4200 p.s.i.
- An equal substitution of the low-relaxation strands for the stress-relieved strands will be permitted. However, all strands shall be stressed to a maximum of 28,900 pounds per strand.

**PRECAST PRESTRESSED CONCRETE DECK BEAM DETAILS**  
**PROPOSED BRIDGE OVER NICKOLSEN CREEK**  
**TR 373**  
**SECTION 05-12115-00-BR**  
**CLAY COUNTY, ILLINOIS**

10/25/2007