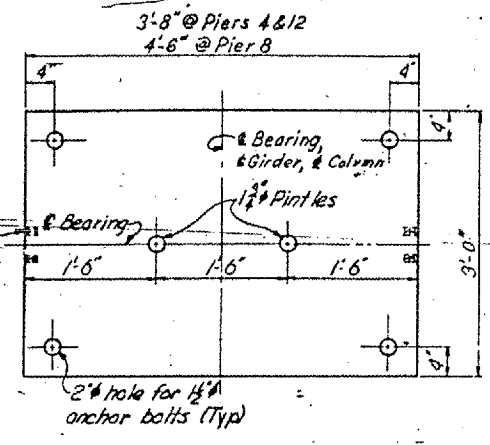
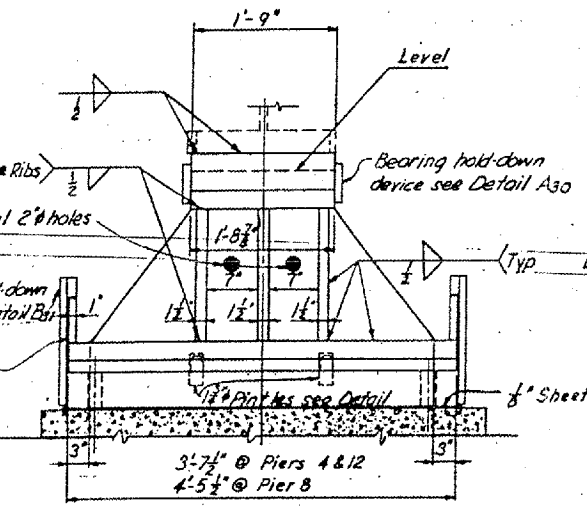
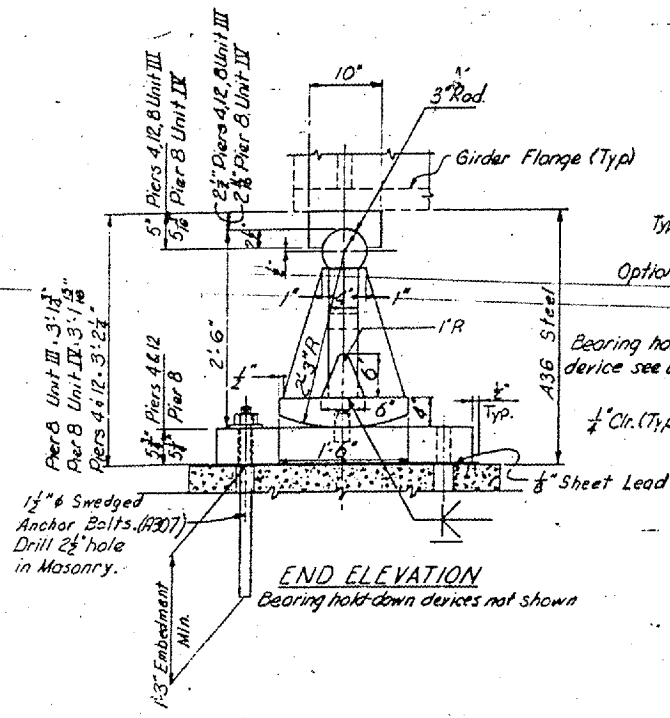
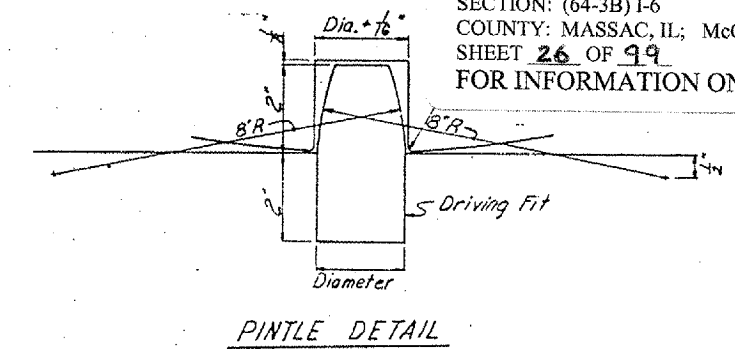


CONTRACT: 98990
 ROUTE: INTERSTATE 24
 SECTION: (64-3B) I-6
 COUNTY: MASSAC, IL; McCRACKEN, KY
 SHEET 26 OF 99
 FOR INFORMATION ONLY

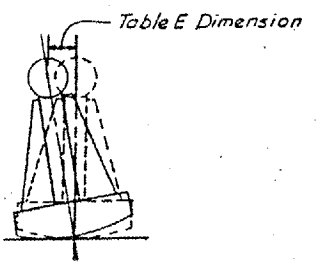


BEARING TYPE E3
 USE AT PIERS 4, 8 & 12
 8 REQUIRED

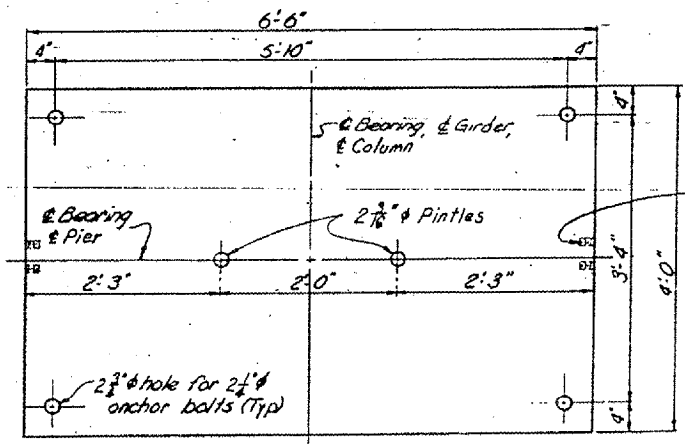
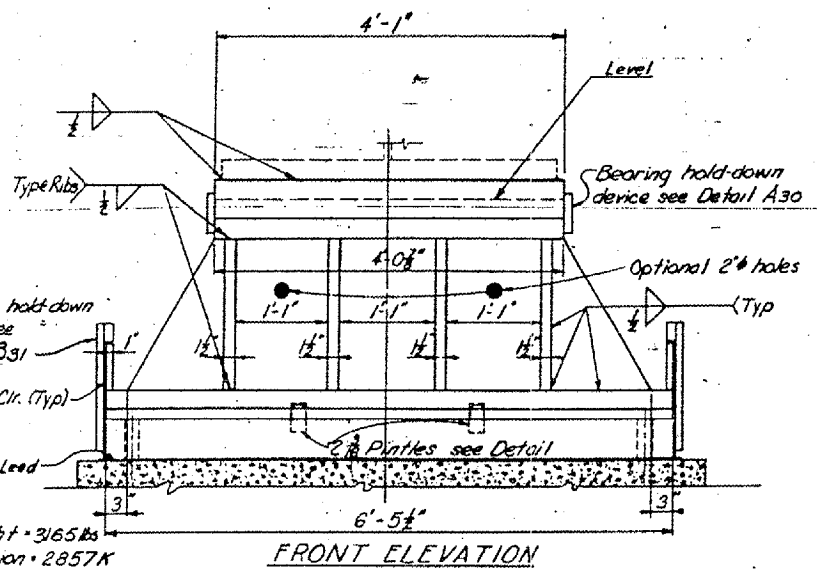
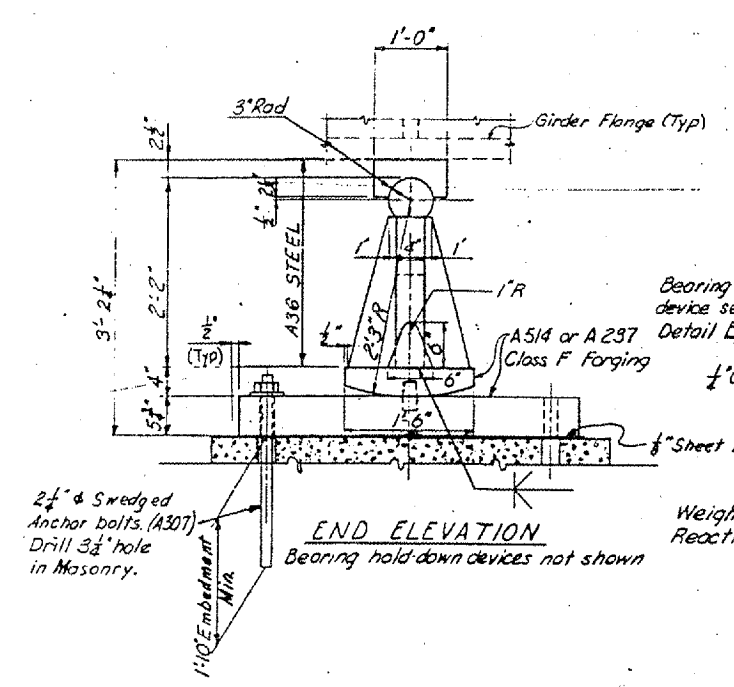
Weight - 4875 lbs
 Reaction - 1046 K
 Piers 4 & 12

Weight - 5330 lbs
 Reaction - 1046 K
 Pier 8

Temp. Rise	-20°	0°	20°	40°	60°	80°	100°	120°
4	2.81"	2.12"	1.41"	.70"	0	.70"	1.41"	2.12"
7	2.81"	2.12"	1.41"	.70"	0	.70"	1.41"	2.12"
8 III	4.68"	3.51"	2.34"	1.17"	0	1.17"	2.34"	3.51"
8 IV	4.68"	3.51"	2.34"	1.17"	0	1.17"	2.34"	3.51"
9	2.81"	2.12"	1.41"	.70"	0	.70"	1.41"	2.12"
12	2.81"	2.12"	1.41"	.70"	0	.70"	1.41"	2.12"



NOTE:
 For Surface Finishes see Sh. U²31



BEARING TYPE E4
 USE AT PIERS 7 & 9
 4 REQUIRED

Weight - 3165 lbs
 Reaction - 2857 K

EXPANSION BEARINGS
 STRUCTURAL STEEL

SHEET 32 OF 121

KENTUCKY DEPARTMENT OF HIGHWAYS
ILLINOIS DEPARTMENT OF PUBLIC WORKS AND BUILDINGS

PROJECTS 124-11(6)38, 124-9(1)10, 124-11(6)11
 BRIDGE OVER OHIO RIVER ON 124
 BETWEEN McCRACKEN COUNTY, KENTUCKY
 AND MASSAC COUNTY, ILLINOIS

HAZLET & ERDAL Consulting Engineers File No. 238	BRIDGE NO. 488	DRAWING NO. 17471	INDEX
--	-------------------	----------------------	-------

DRAWN BY: DB
 CHECKED BY: JCS
 DATE: 11/27/67
 DESIGNED BY: CHY
 DATE: 11/27/67