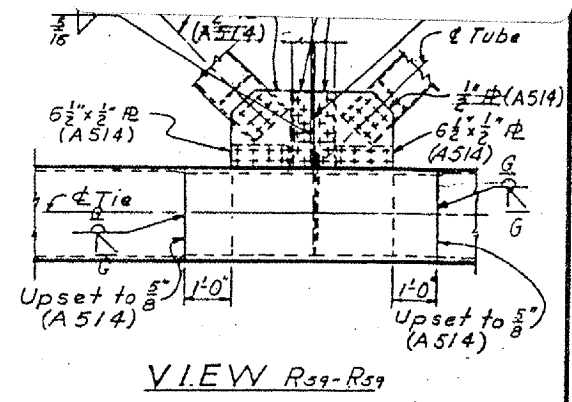
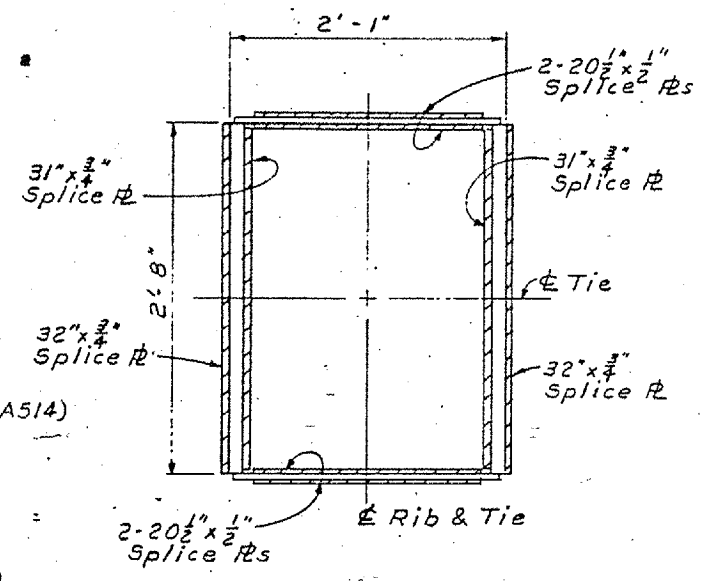
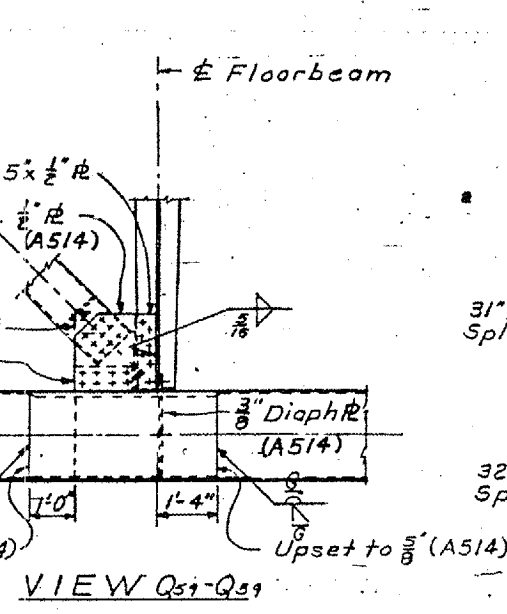
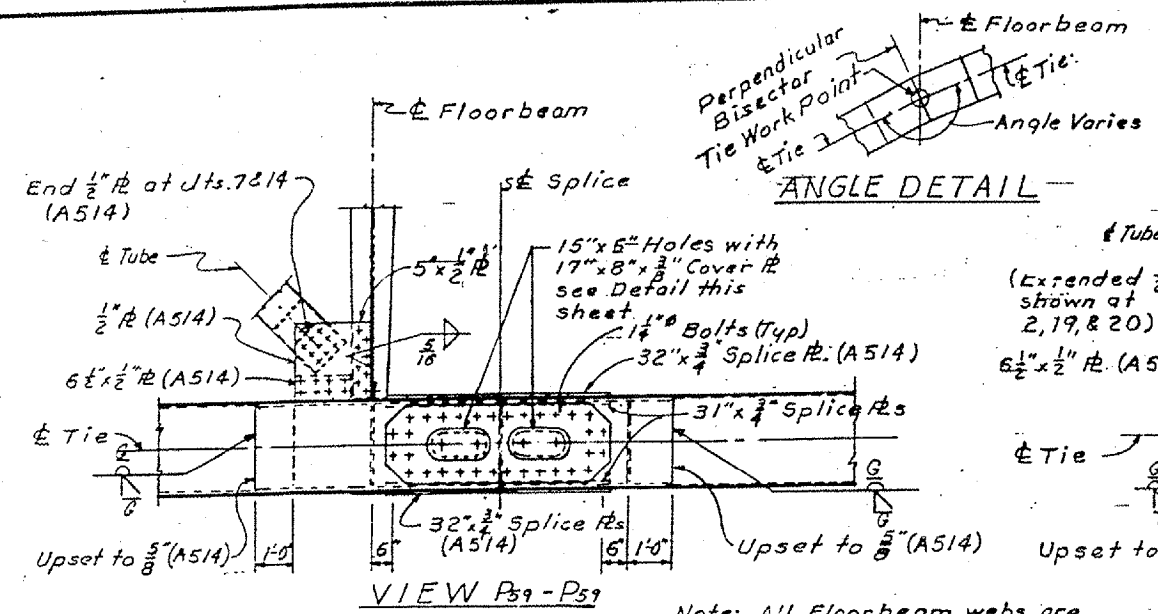
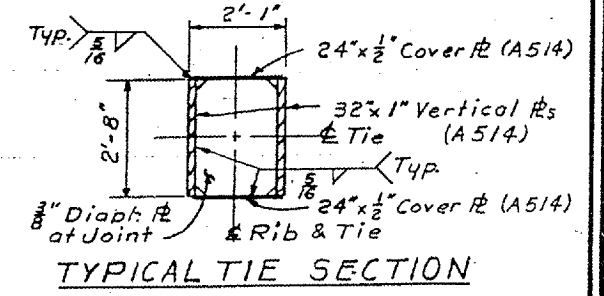
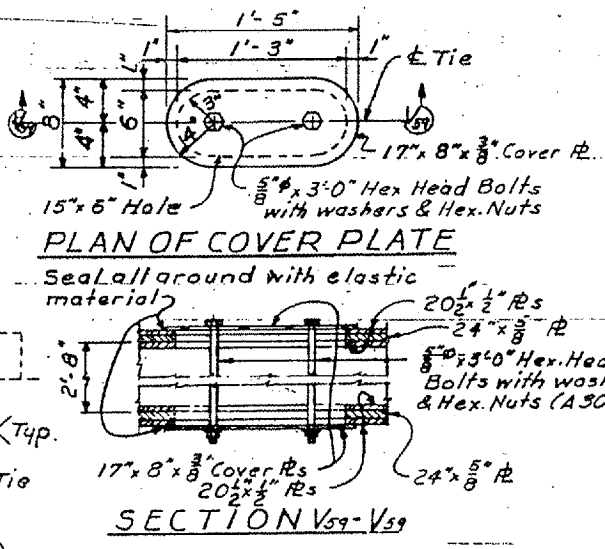
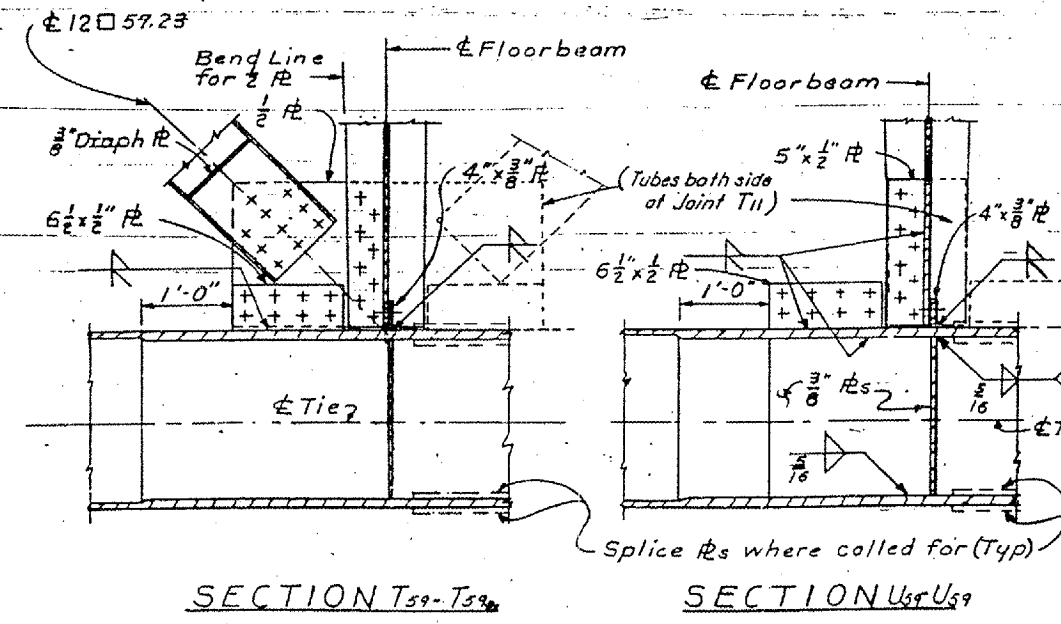
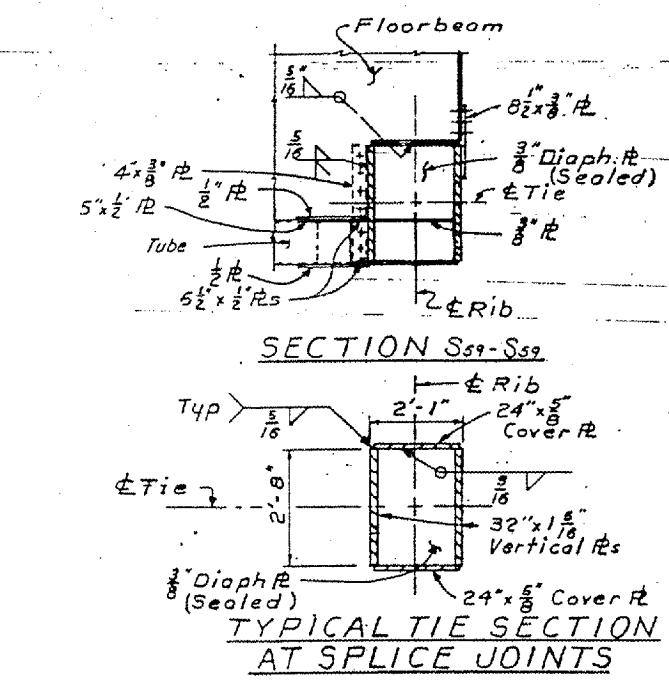
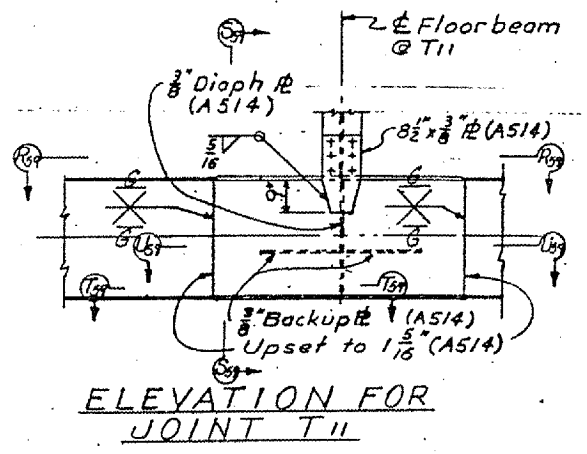
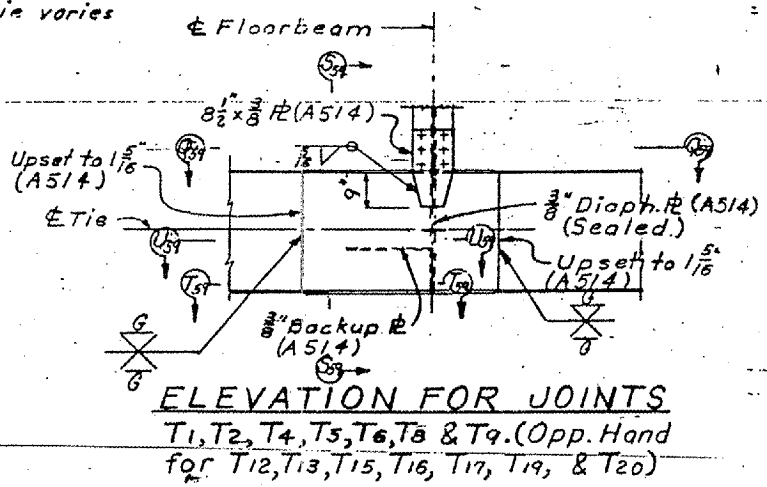
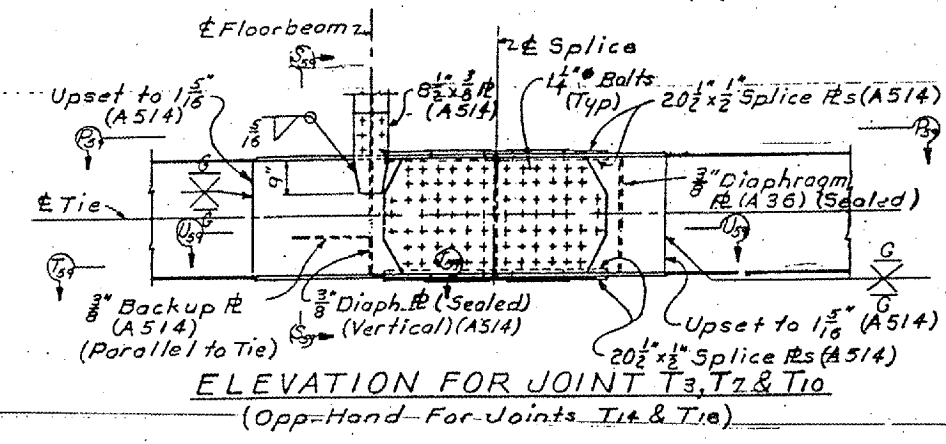


CONTRACT: 98990
 ROUTE: INTERSTATE 24
 SECTION: (64-3B) I-6
 COUNTY: MASSAC, IL; McCRACKEN, KY
 SHEET 41 OF 99
 FOR INFORMATION ONLY



Note: All Floorbeam webs are vertical. The angle between the floorbeam and Tie varies



TIE SPLICE DETAILS FOR UNIT V
 STRUCTURAL STEEL

KENTUCKY DEPARTMENT OF HIGHWAYS
 ILLINOIS DEPARTMENT OF PUBLIC WORKS
 AND BUILDINGS
 PROJECTS 124-1(6) 138, 124-9(1) 10, 124-1(6) 11
 BRIDGE OVER OHIO RIVER ON I24
 BETWEEN McCRACKEN COUNTY, KENTUCKY
 AND MASSAC COUNTY, ILLINOIS