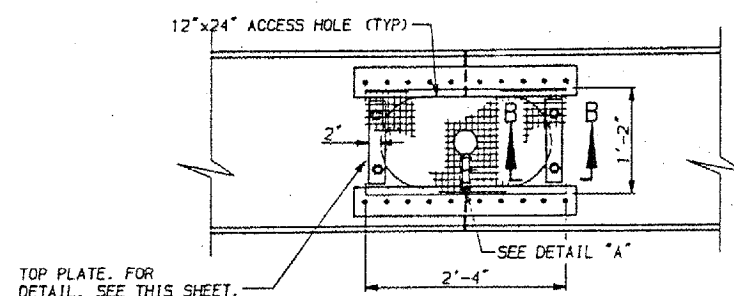


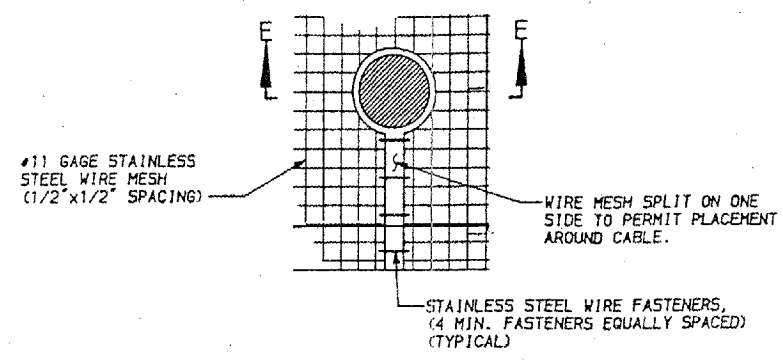
24	64-3B-1-3	32	9
ILL. V.A. RES.	ILLINOIS PROJECT		

MASSAC, IL. & McCRACKEN, KY.

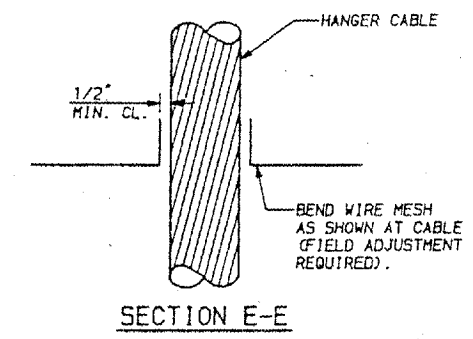


△ BIRD SCREEN DETAIL

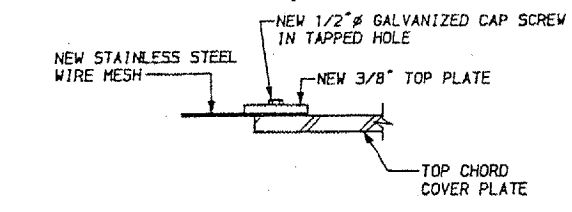
NOTE: BIRD SCREENS SHALL BE INSTALLED AFTER STRUCTURAL BOLTING IS COMPLETED.



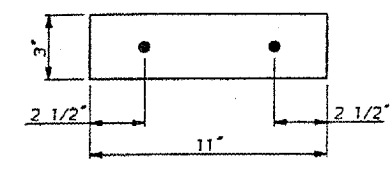
DETAIL A



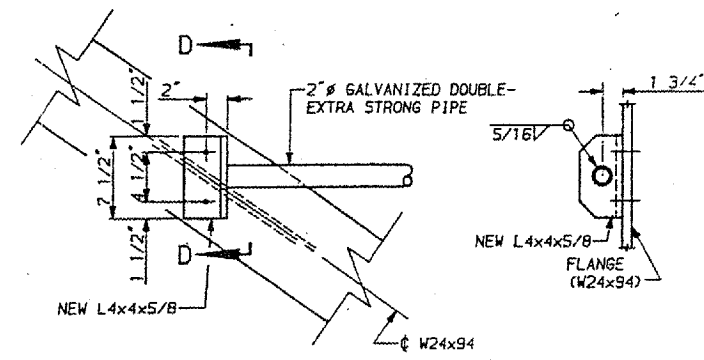
SECTION E-E



△ SECTION B-B

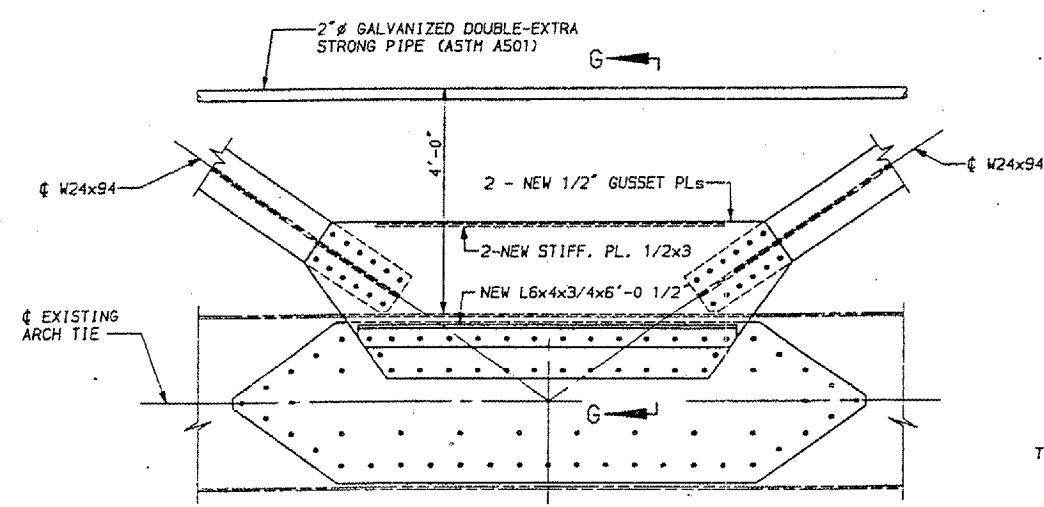


△ 3/8" TOP PLATE DETAIL



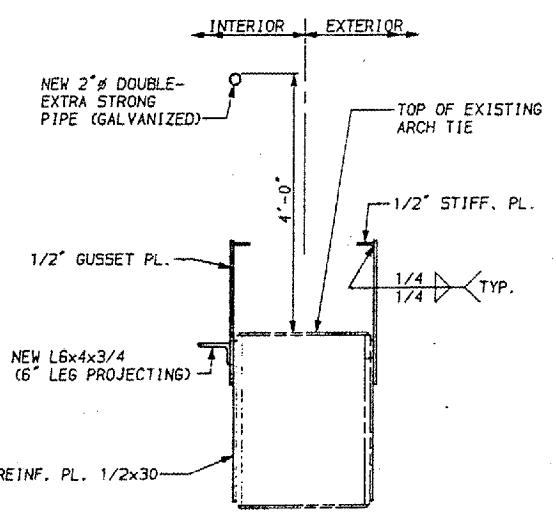
RAIL DETAIL
(INTERIOR FACE OF STIFFENING TRUSS SHOWN)

SECTION D-D



△ TYPICAL DETAIL AT DIAGONAL/TIE CONNECTION
(INTERIOR FACE OF STIFFENING TRUSS SHOWN)

NOTE: FOR BOLT SPACING NOT SHOWN, SEE SHEET 6.



△ SECTION G-G

NOTES:
 FOR GENERAL NOTES, SEE SHEET 3.
 △ DENOTES NEW 7/8" H.S. BOLT (M164) IN NEW HOLE.

REV. NO.	DRAWN	CHKD.	APPO.	DESCRIPTION	DATE
1	SLH	REN	JEP	MISCELLANEOUS	10/27/88

**F A I ROUTE 24 (INTERSTATE 24)
 OVER OHIO RIVER
 MASSAC COUNTY ILLINOIS**

**UNIT II
 TRUSS DETAILS - 4**

PREPARED BY
MODJESKI AND MASTERS
 CONSULTING ENGINEERS

DRAWN: DTP
 CHKD: REN
 APPD: JEP

DATE: 10/11/88

DATE
 10/11/88