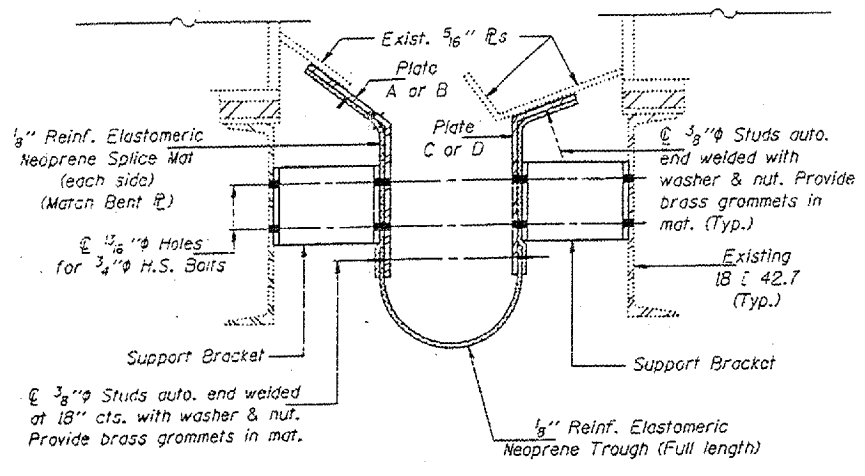
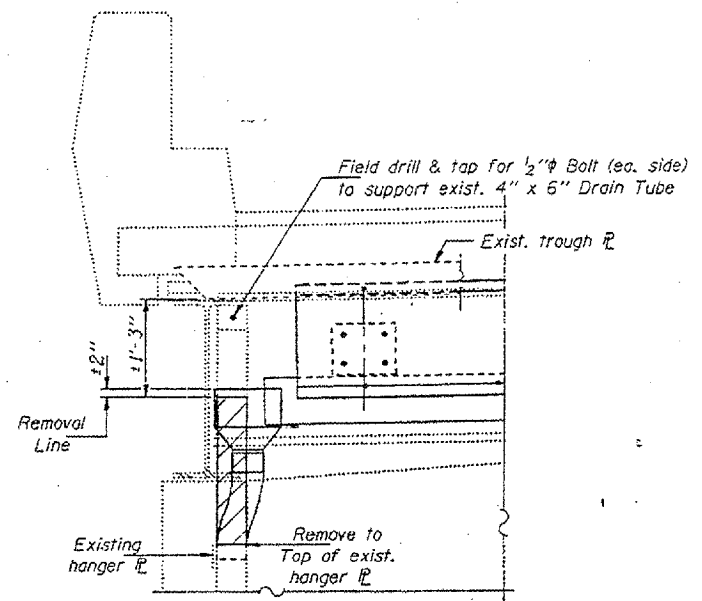


STATE OF ILLINOIS
 DEPARTMENT OF TRANSPORTATION

DATE	F.A.I. 24	54-36-1-3	MASSAC	11	10	3 SHEETS
ILLINOIS DEPT. OF TRANSPORTATION	ILLINOIS	PER. AND PROJECT				

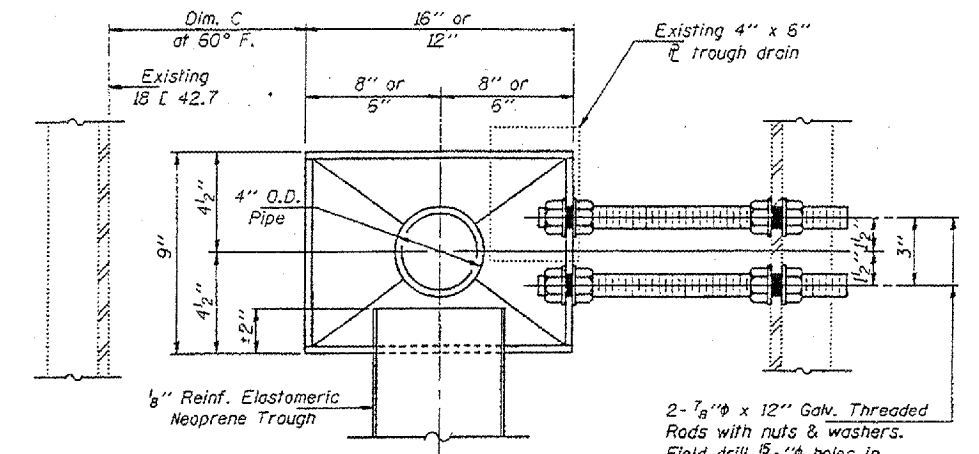


SECTION B-B

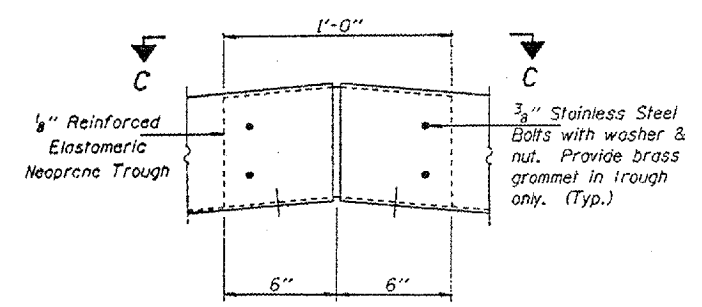


DRAIN TUBE REMOVAL DETAILS

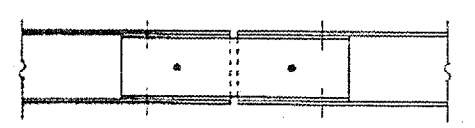
Hatched area indicates removal of existing 4" x 6" drain tube. (Typ. each end)



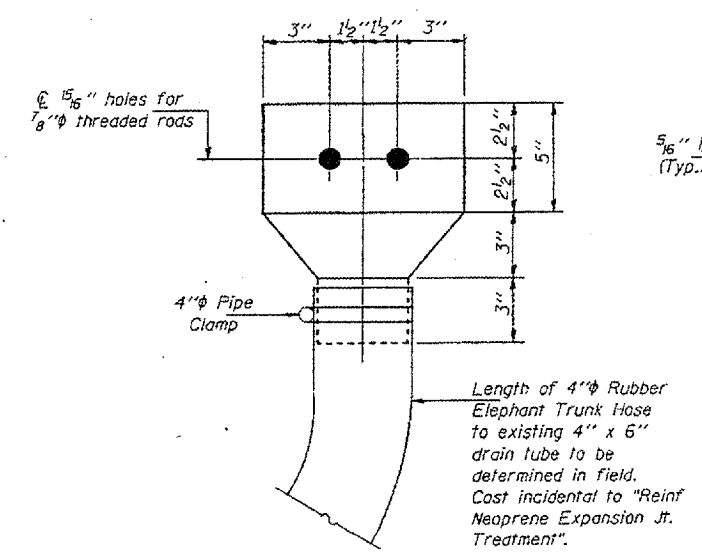
TOP VIEW



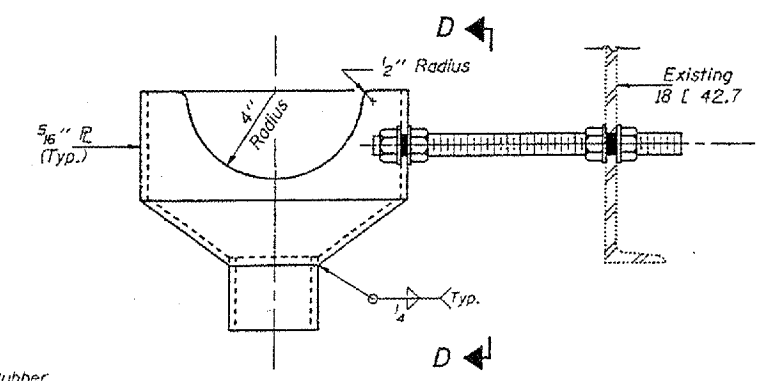
TROUGH SPLICE DETAIL



VIEW C-C



VIEW D-D



ELEVATION

(Looking out from @ Bridge)
 Piers 3, 4, 8, & 12 shown;
 Pier 13 similar except opposite hand

LOCATION	DRAIN SIZE	Dim. C
Pier #3	9" x 16"	6"
Pier #4	9" x 12"	3"
Pier #8	9" x 16"	8"
Pier #12	9" x 16"	7"
Pier #13	9" x 12"	3"

DRAIN DETAILS

Total No. Req'd.:
 9" x 16" = 6
 9" x 12" = 4

TROUGH & DRAIN DETAILS
 F.A.I. 24 OVER OHIO RIVER
 SEC. 64-3B-I-3
 MASSAC COUNTY
 S.N. 064-0035

DESIGNED	KPS	FEBRUARY 29	1996
CHECKED	NJS	EXAMINED	Joseph E. Adams
DRAWN	Dierbert	PASSED	ENGINEER OF STRUCTURAL SERVICES
CHECKED	NJS KPS		DEPARTMENT OF BRIDGES AND STRUCTURES