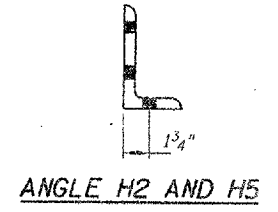
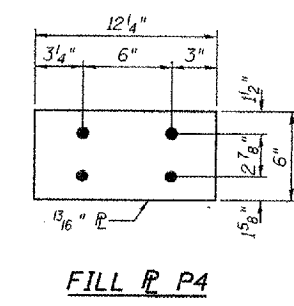
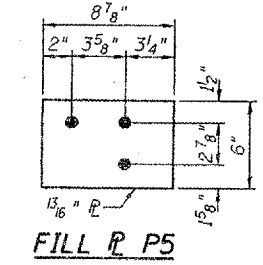
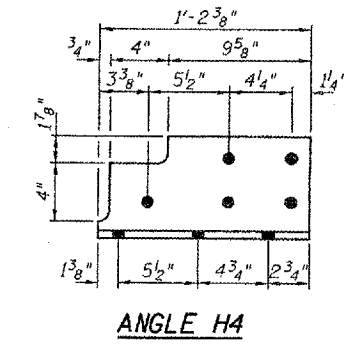
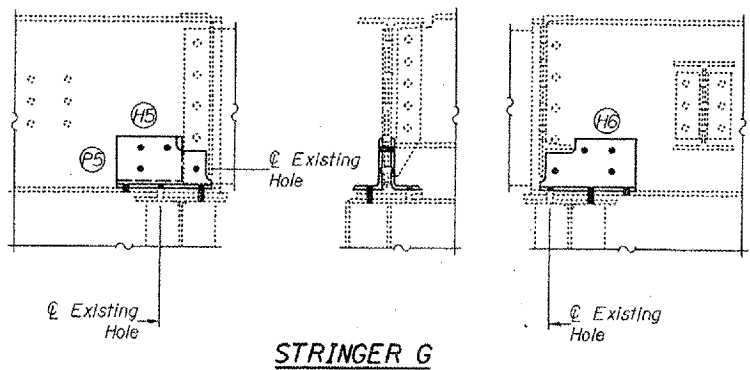
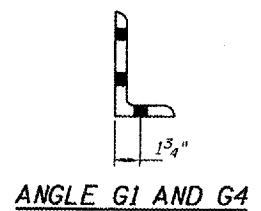
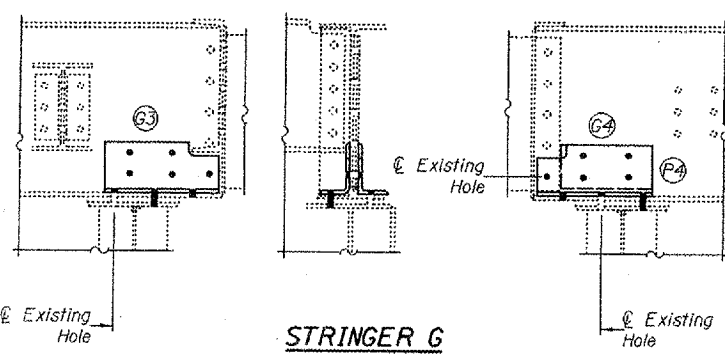
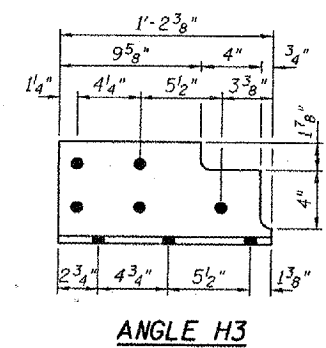
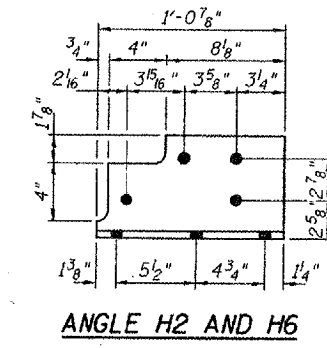
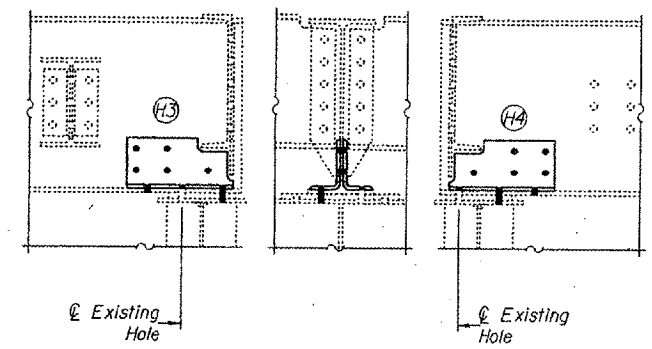
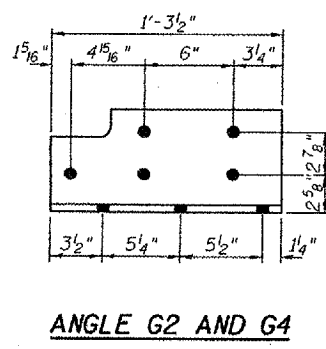
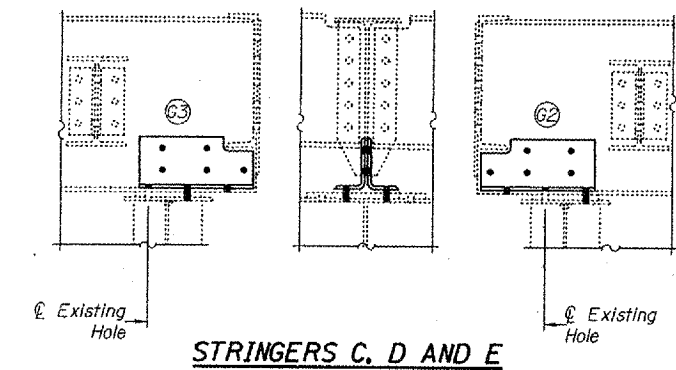
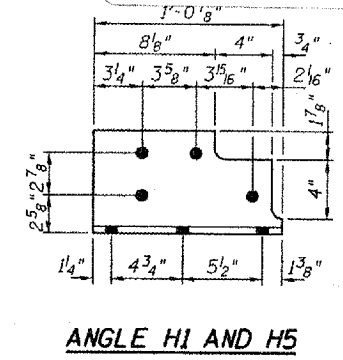
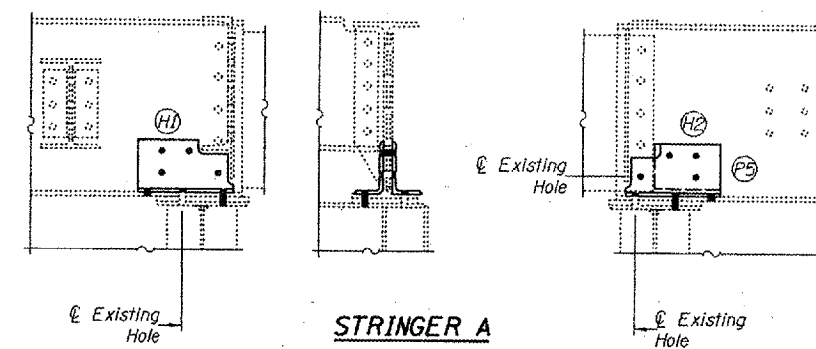
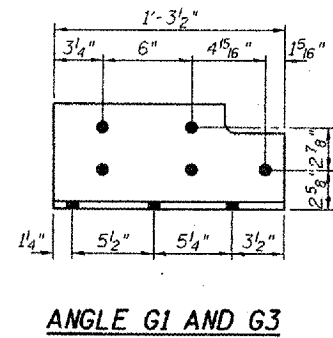
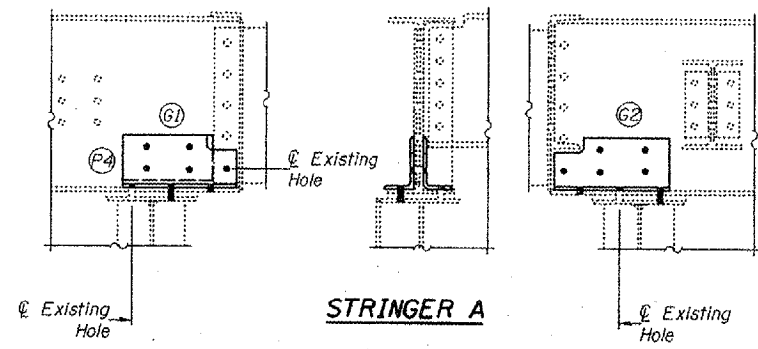


STATE OF ILLINOIS
DEPARTMENT OF TRANSPORTATION

ROUTE NO.
FAI
24
FED. ROAD DIST.

CONTRACT: 98990
ROUTE: INTERSTATE 24
SECTION: (64-3B)1-6
COUNTY: MASSAC, IL; McCRACKEN, KY
SHEET 94 OF 99
FOR INFORMATION ONLY



REPAIR DETAIL "G"

REPAIR DETAIL "H"

3/4" Radius on all re-entrant cuts.

DESIGNED Drew Christopher
CHECKED V.H.V.
DRAWN Drew Christopher
CHECKED P.S.J. V.H.V.

December 6, 2002
EXAMINED John A. Morris
PASSED
ENGINEER OF STRUCTURAL SERVICES
ENGINEER OF BRIDGES AND STRUCTURES

REPAIR DETAIL "G" AND "H"
F.A.I. 24 OVER OHIO RIVER
MASSAC COUNTY
S.N. 064-0035