

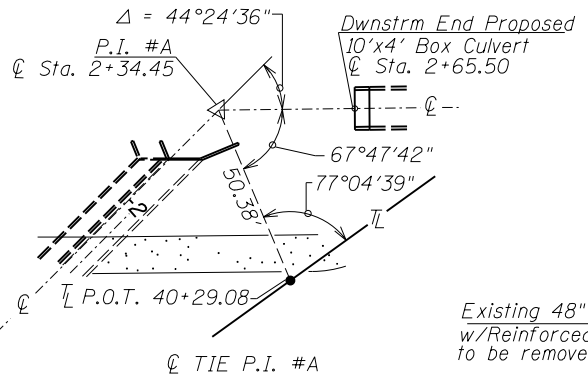
O:\OvrProj\proj\Projects\ASHLAND\Plan Sheets\sheet 5.dgn

5:11:33 PM

12/13/2012

Checked by: GMS

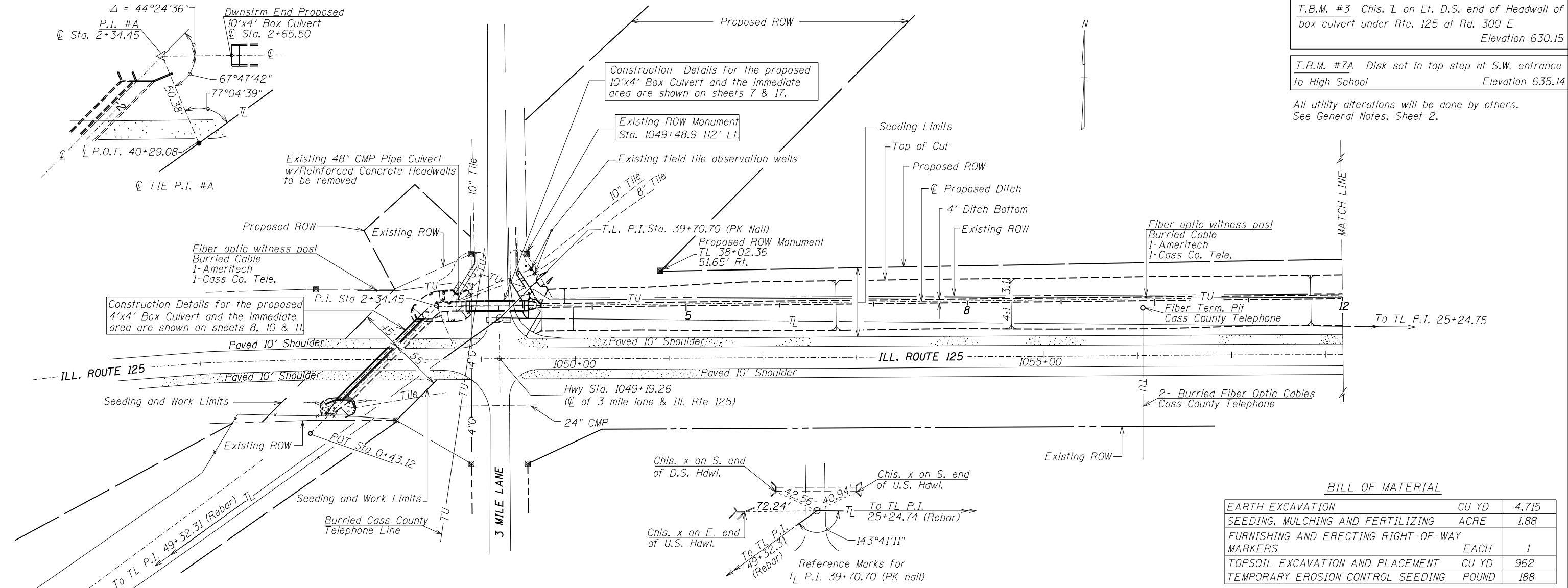
Drawn by: S. N. March 4, 97



T.B.M. #3 Chis. 7 on Lt. D.S. end of Headwall of box culvert under Rte. 125 at Rd. 300 E  
Elevation 630.15

T.B.M. #7A Disk set in top step at S.W. entrance to High School  
Elevation 635.14

All utility alterations will be done by others.  
See General Notes, Sheet 2.



**BILL OF MATERIAL**

EARTH EXCAVATION	CU YD	4,715
SEEDING, MULCHING AND FERTILIZING	ACRE	1.88
FURNISHING AND ERECTING RIGHT-OF-WAY MARKERS	EACH	1
TOPSOIL EXCAVATION AND PLACEMENT	CU YD	962
TEMPORARY EROSION CONTROL SEEDING	POUND	188

