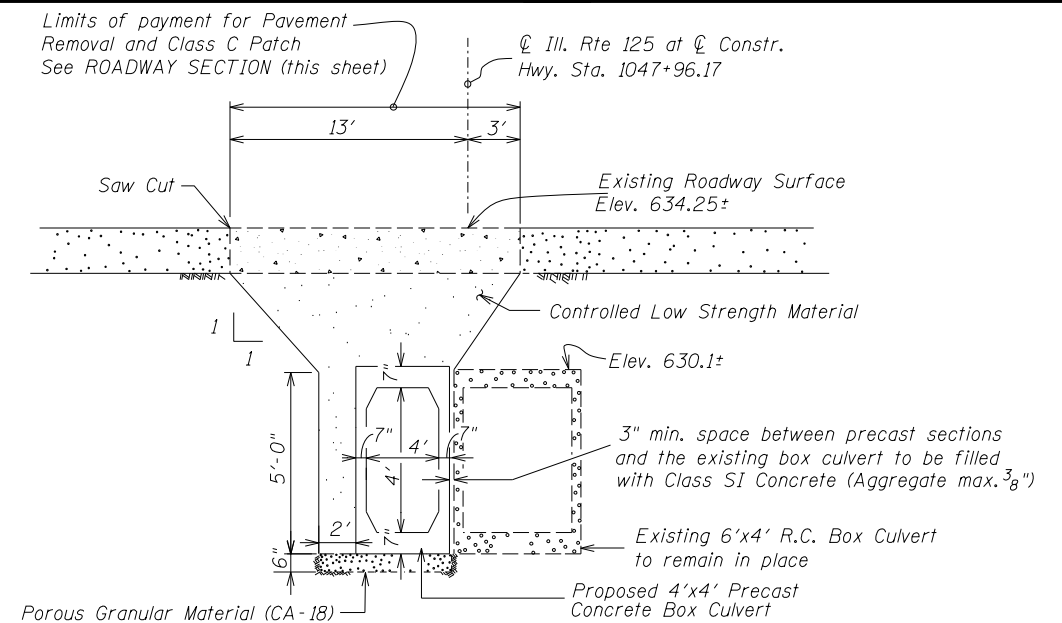
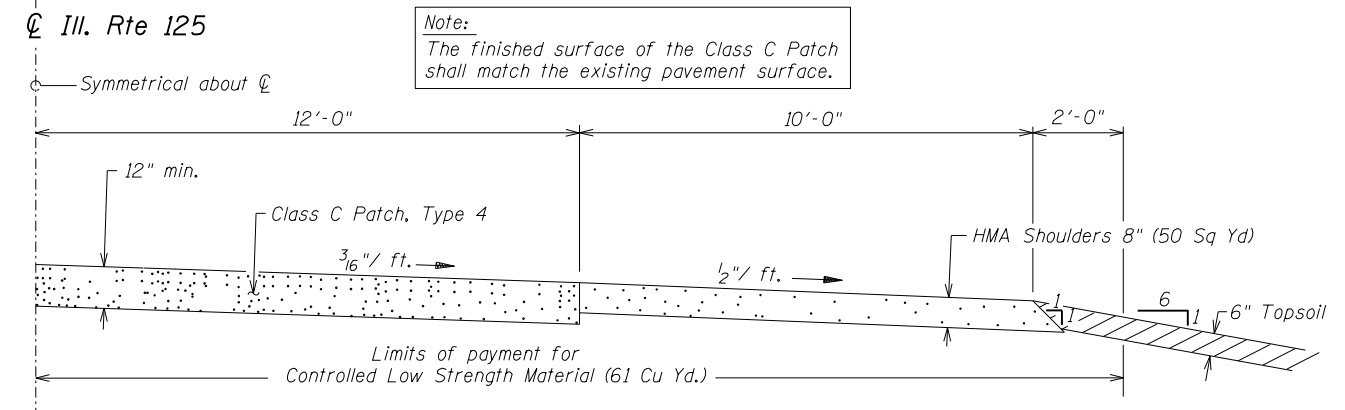


ILL. ROUTE 125
CULVERT PROFILE A-A

Note: One section, at each end of the proposed precast culvert, shall be ordered with a minimum of 12" of reinforcement protruding from the plain end. See Sheets 10 & 11 for detail.

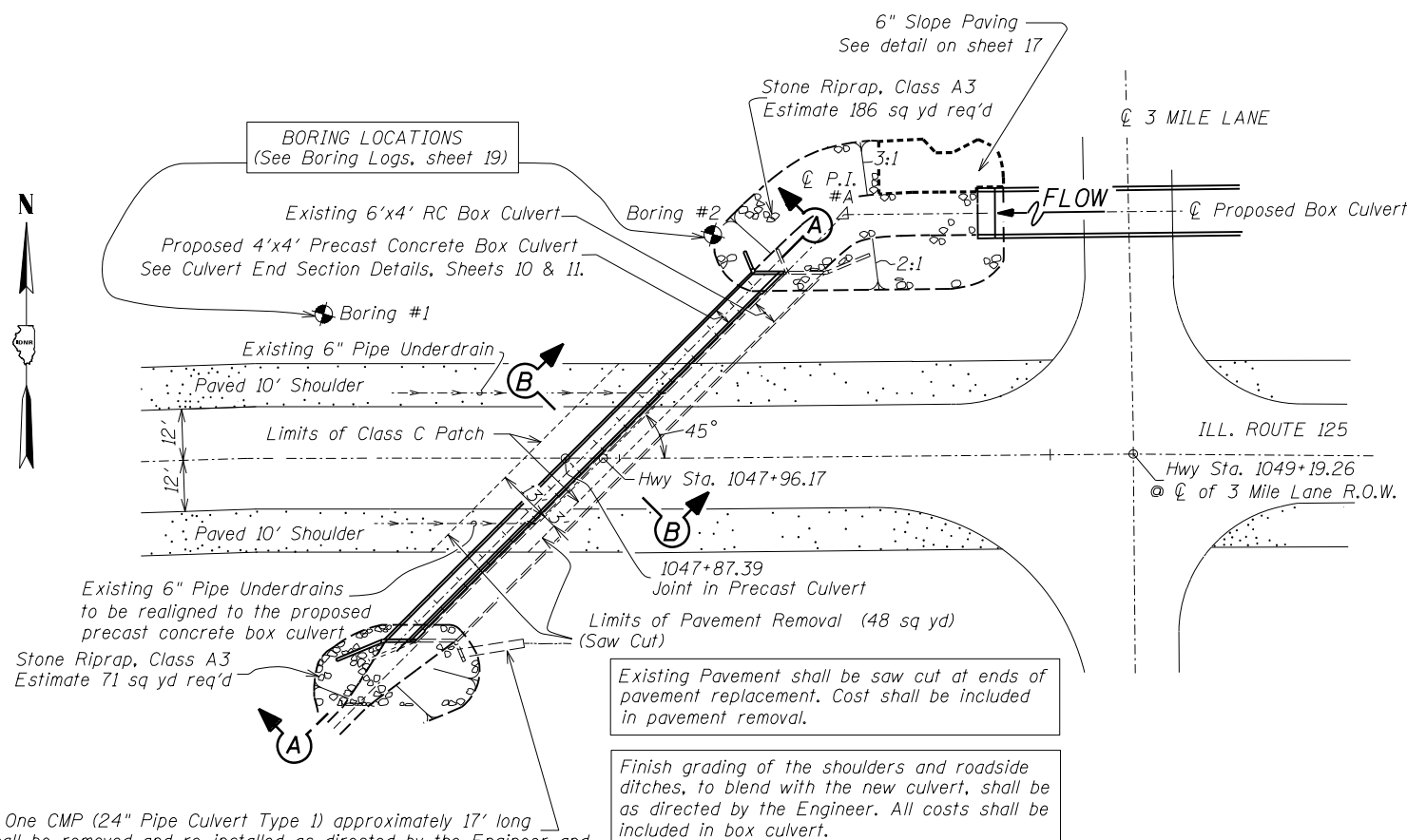


ROADWAY PROFILE
SECTION B-B

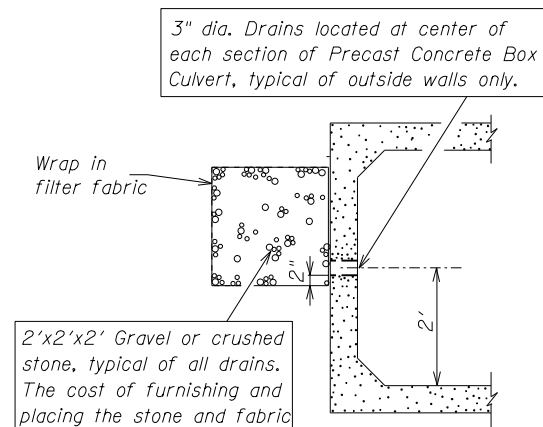


HALF ROADWAY SECTION

(Quantities shown are for whole section)



PLAN



DRAIN DETAIL

BILL OF MATERIAL

CONTROLLED LOW STRENGTH MATERIAL	CU YD	61
CLASS C PATCHES, TYPE 4, 12 INCH	SQ YD	60
PAVEMENT REMOVAL	SQ YD	48
HOT-MIX ASPHALT SHOULDERS, 8"	SQ YD	50
PRECAST CONCRETE BOX CULVERTS 4'X4'	FOOT	110.5
STONE RIPRAP, CLASS A3	SQ YD	257