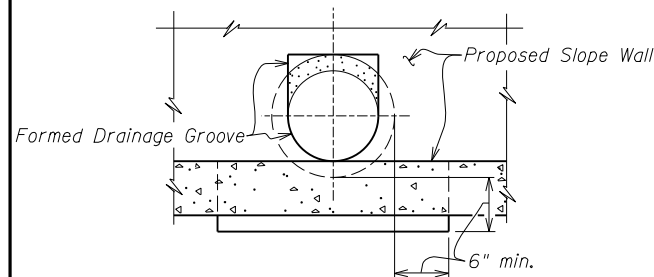
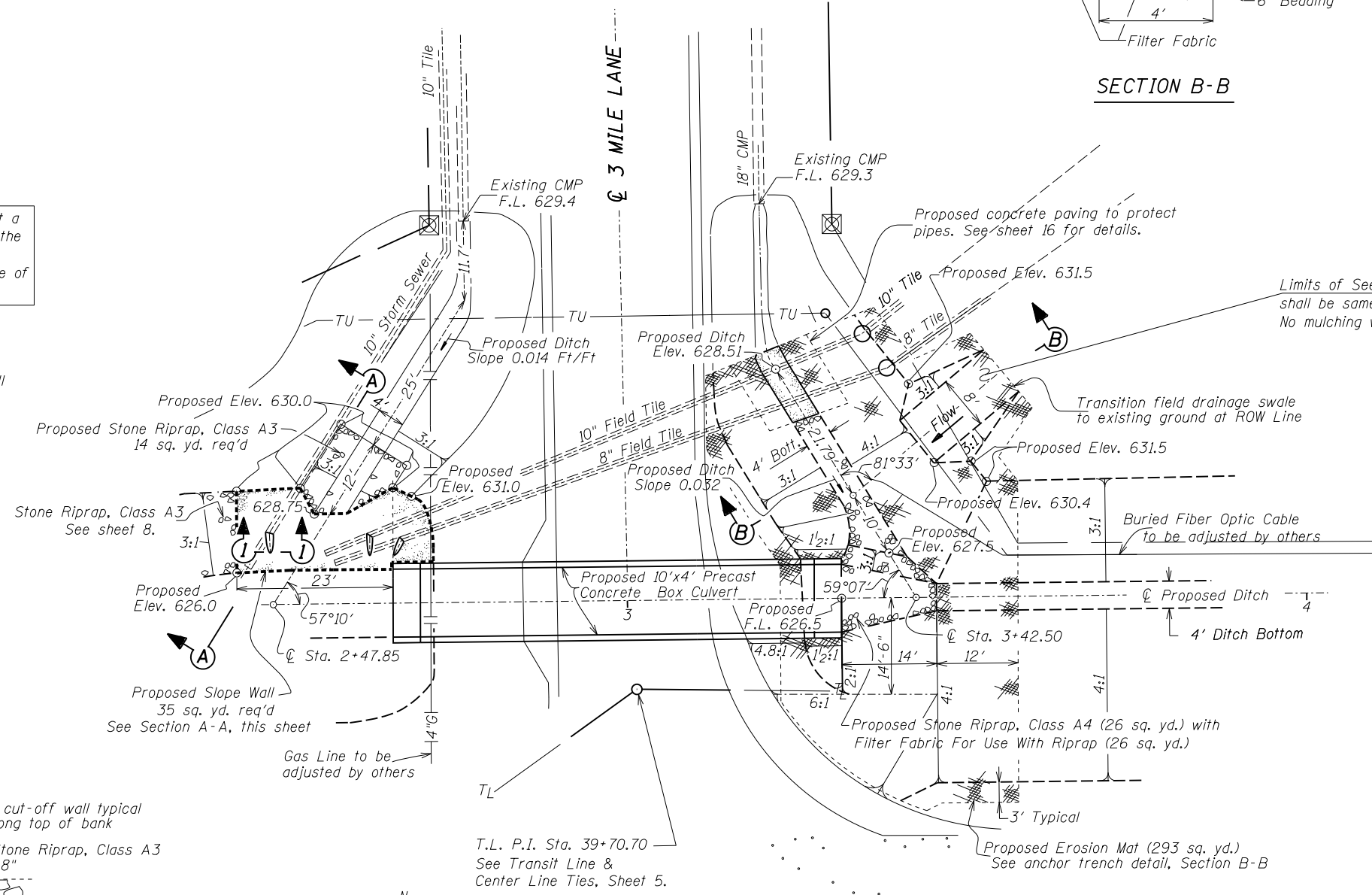


SECTION B-B

The existing storm sewers shall be cut off vertically, and at a miter as shown on the plan, at the point where the top of the pipe intersects the top surface of the proposed slope wall. A smooth drainage groove shall then be formed to the inside of the pipe, all costs included in Slope Wall 6 Inch.

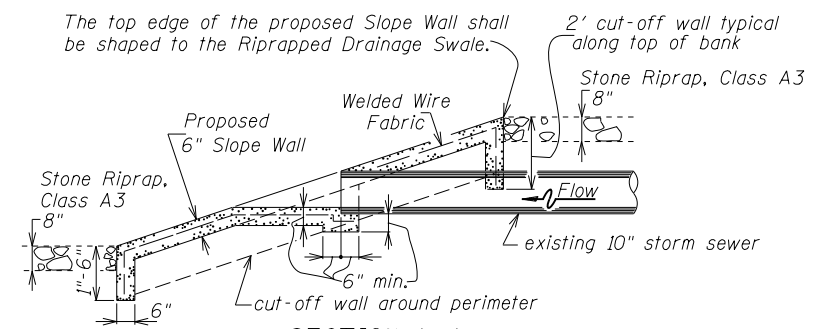


ELEVATION 1-1
END OF CUT OFF PIPE
(TYP. ALL PIPES THROUGH SLOPE WALL)



PLAN

Limits of Seeding, Mulching and Fertilizing (0.06 Acre) shall be same as Turf Reinforcement Mat boundaries. No mulching will be required.



SECTION A-A
SLOPE WALL DETAILS
(TYP. ALL PIPES THROUGH SLOPE WALL)

BILL OF MATERIAL

ITEM	UNIT	QUANTITY
TURF REINFORCEMENT MAT	SQ YD	272
STONE RIPRAP, CLASS A3	SQ YD	14
STONE RIPRAP, CLASS A4	SQ YD	26
FILTER FABRIC	SQ YD	26
* SLOPE WALL 6 INCH	SQ YD	35
SEEDING, MULCHING AND FERTILIZING	ACRE	0.06

* Welded Wire Fabric shall be 6"x6" mesh, #4 gauge, 58 lbs. per 100 sq. ft., conforming to requirements of A.S.T.M A185. The cost of furnishing and placing the Welded Wire Fabric shall be included in the bid item Slope Wall 6 Inch.

Designed By TMM Checked By RLP
Drawn By SIM Checked By RLP