



5-08
 5 S 010 1074 L181.53
 New Truss - New End Supports
 Re-Use Foundations
 Sta. 1198+06

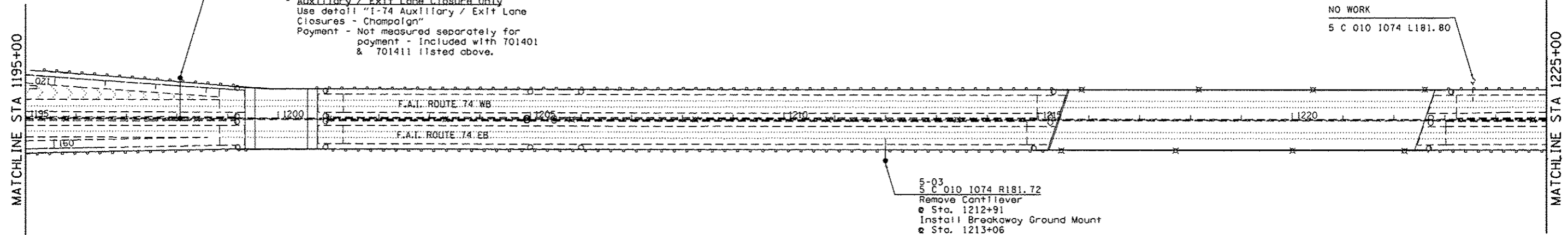
TRAFFIC CONTROL
 - Driving Lane & Auxiliary / Exit Lane Closure
 Standards - 701400, 701401, 701411
 Payment - 701401 = 2.0 Each
 701411 = 2.0 Each

Start taper for 701401 east of Lincoln Ave. overhead
 Taper - Sta. 1259+00 to 1249+00
 Tangent - Sta. 1249+00 to 1191+00

1st set-up 701411 - I-74 WB on-ramp from Lincoln Ave.
 2nd set-up 701411 - I-74 WB off-ramp to Neil St.

- Auxiliary / Exit Lane Closure Only
 Use detail "I-74 Auxiliary / Exit Lane
 Closures - Champaign"
 Payment - Not measured separately for
 payment - Included with 701401
 & 701411 listed above.

NO WORK
 5 C 010 1074 L181.80



5-03
 5 C 010 1074 R181.72
 Remove Cantilever
 • Sta. 1212+91
 Install Breakaway Ground Mount
 • Sta. 1213+06

TRAFFIC CONTROL
 - Auxiliary / Exit Lane Closure Only
 Use detail "I-74 Auxiliary / Exit Lane
 Closures - Champaign"
 Payment - 701401 = 1.0 Each
 701411 = 1.0 Each

Modified 701411 - I-74 EB on-ramp from Neil St.

• D-5 OVD SIN STR REPL 2013-09

FILE NAME *	USER NAME * bucklesjj	DESIGNED -	REVISED -	STATE OF ILLINOIS DEPARTMENT OF TRANSPORTATION	TRAFFIC CONTROL PLAN				F.A.I. RTE.	SECTION	COUNTY	TOTAL SHEETS	SHEET NO.
o:\pwork\pwork\pwork\bucklesjj\d030231\054	222-shr-plan.188.dgn	DRAWN -	REVISED -						74	.	CHAMPAIGN	50	17
Default	PLT SCALE * 200.0000 * / in.	CHECKED -	REVISED -						CONTRACT NO. 46222				
	PLT DATE * 8/22/2012	DATE -	REVISED -						SCALE:	SHEET	OF	SHEETS	STA.