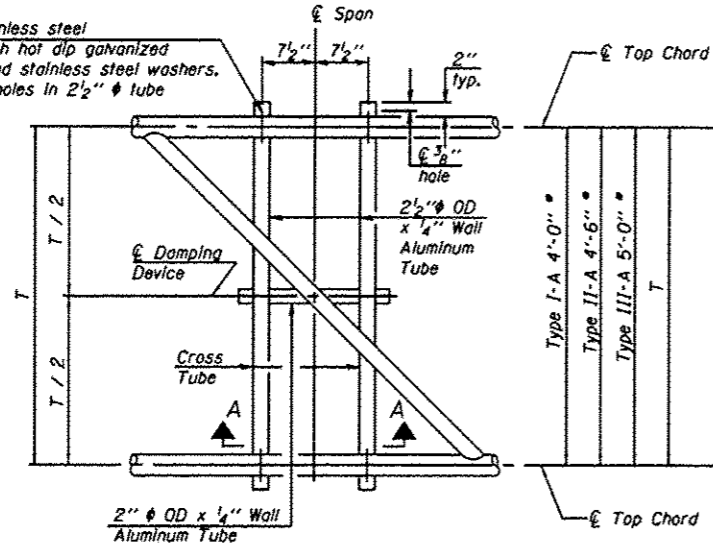
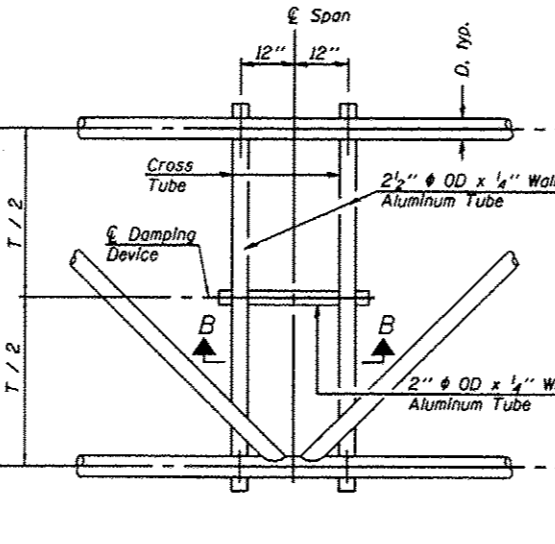


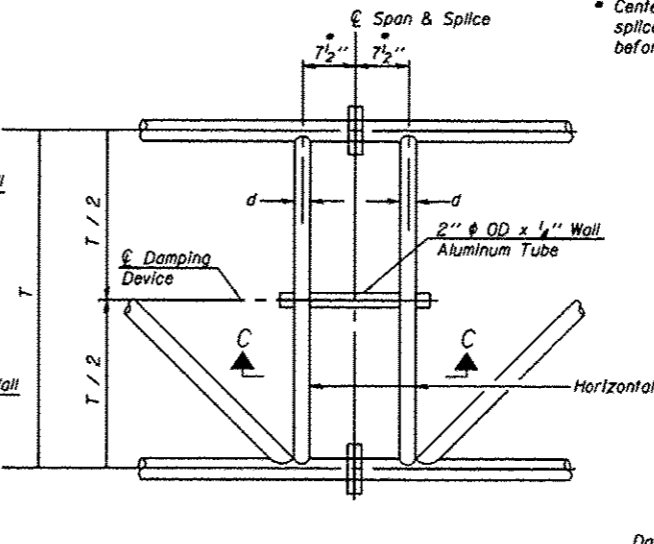
5/16" stainless steel
U-bolt with hot dip galvanized
locknuts and stainless steel washers,
typ. 3/8" holes in 2 1/2" tube



PLAN DETAIL "A"
Span between Panel Points



PLAN DETAIL "B"
Span at Panel Point

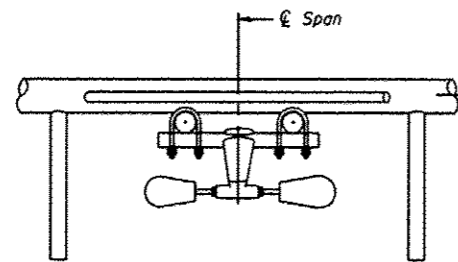


PLAN DETAIL "C"
Span at Chord Splice

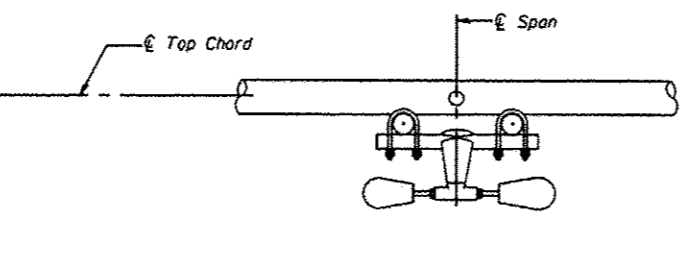
* Center of horizontal to center of
splice dimension may vary. Verify
before drilling holes in mounting tube.

NOTES

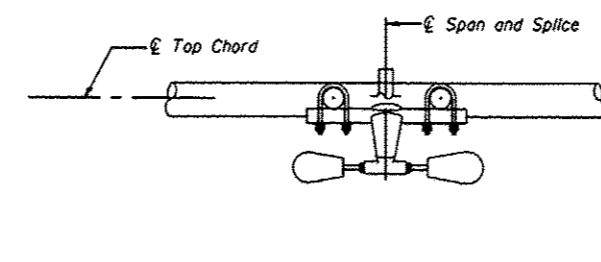
- Damper: One damper per truss. (31 lbs. minimum Stockbridge-Type Aluminum - 29" minimum between ends of weights) Cost Included in Overhead Sign Structure...
- Materials: Materials: Aluminum tubes shall be ASTM B221 alloy 6061 temper T6. Cost Included in Overhead Sign Structure...



SECTION A-A

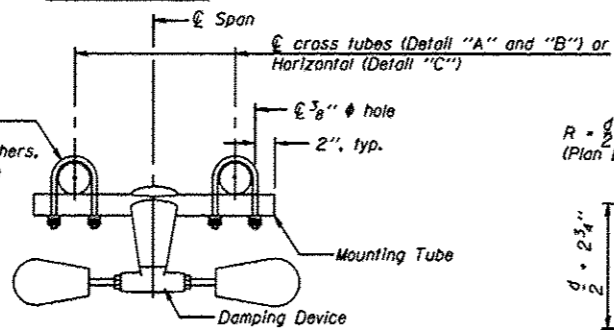


SECTION B-B

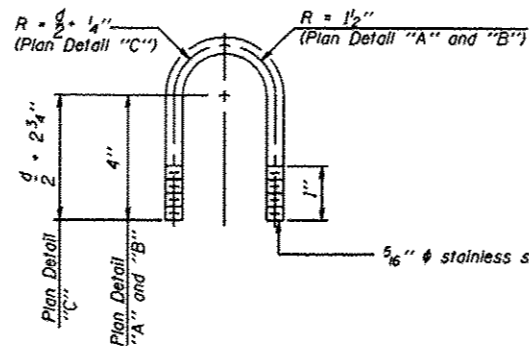


SECTION C-C

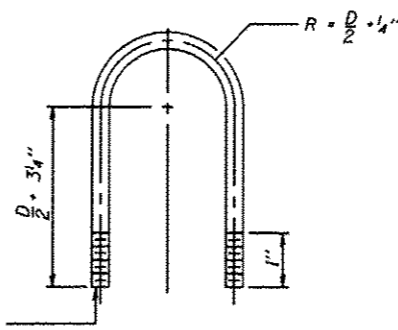
5/16" stainless steel
U-bolt with hot dip galvanized
locknuts and stainless steel washers,
typ. 3/8" holes in mounting tube



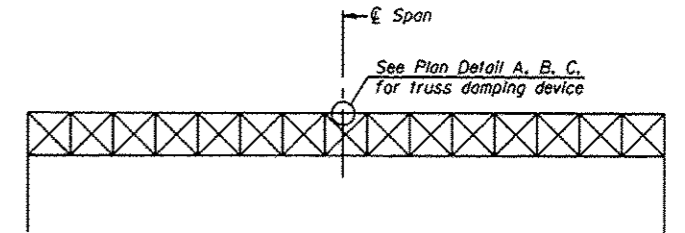
TRUSS DAMPING
DEVICE CONNECTION DETAIL
(Typical)



DAMPING DEVICE MOUNTING
TUBE U-BOLT DETAIL
(Typical)



TOP CHORD TO CROSS TUBE
U-BOLT DETAIL
(Typical - Detail "A" and "B")



ELEVATION
Aluminum Overhead
Sign Truss

OS-A-D 1-20-11

FILE NAME *	USER NAME * USER*	DESIGNED -	REVISED -	STATE OF ILLINOIS DEPARTMENT OF TRANSPORTATION	OVERHEAD SIGN STRUCTURE			F.A. RTE.	SECTION	COUNTY	TOTAL SHEETS	SHEET NO.
#FILE#		DRAWN -	REVISED -		DAMPING DEVICE			XAB	D-6_OVD0510S100E12-23	VARIOUS	32	13
		CHECKED -	REVISED -		SCALE: _____	SHEET NO. _____	OF _____	SHEETS	STA. _____	TO STA. _____	CONTRACT NO. 46226	
		DATE -	REVISED -		ILLINOIS FED. AID PROJECT							