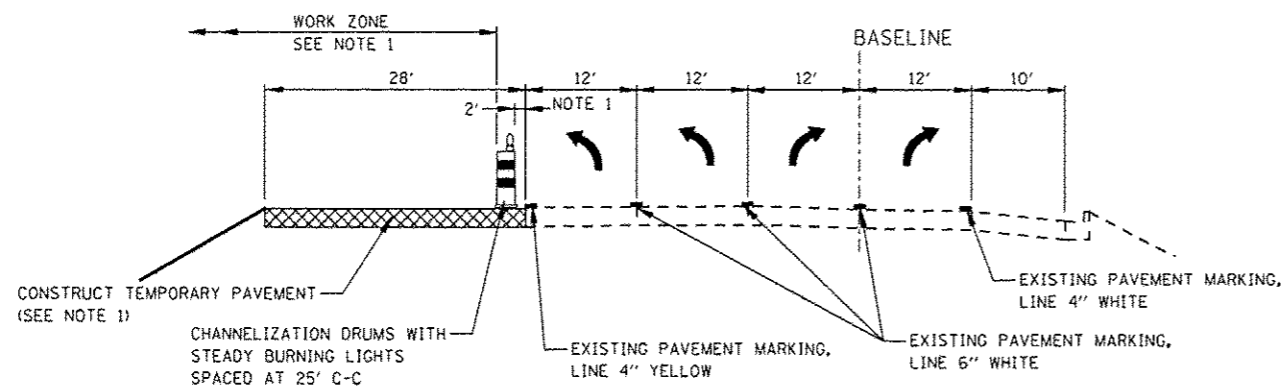


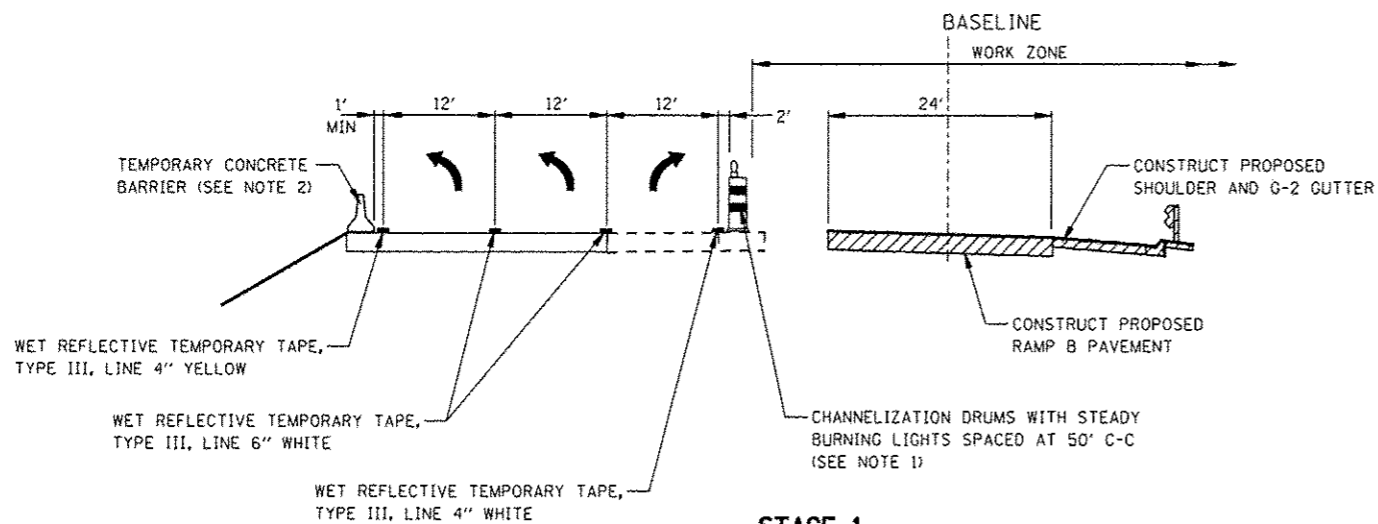
EXISTING CONDITIONS



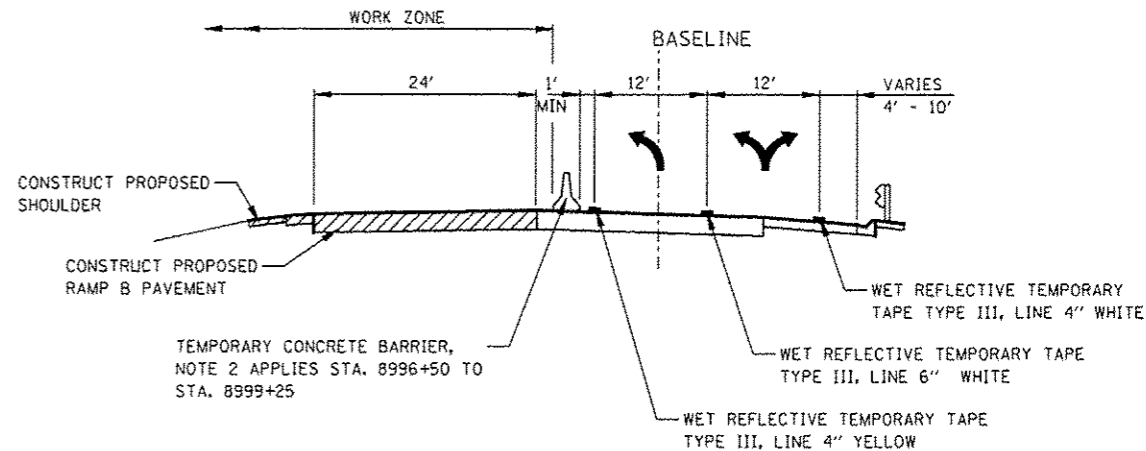
PRESTAGE NOTE

1. THE INSIDE LEFT TURN LANE IS TO BE CLOSED IN ACCORDANCE WITH IDOT STANDARD 701456 DURING TEMPORARY PAVEMENT CONSTRUCTION ADJACENT TO EXISTING PAVEMENT. CHANNELIZATION DRUMS SHALL BE RELOCATED ALONG THE ADJACENT LANE OPEN TO TRAFFIC. THIS WORK SHALL BE DONE BETWEEN THE HOURS OF 8:00PM TO 6:00AM.

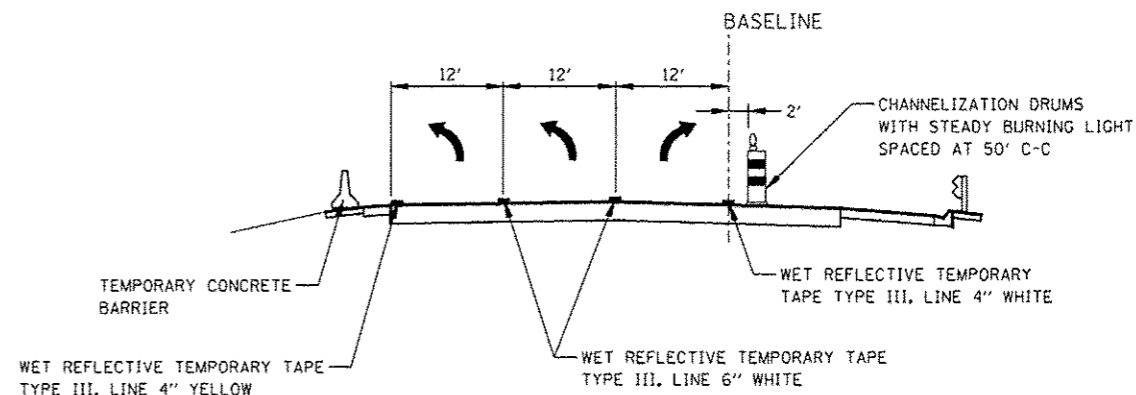
PRESTAGE



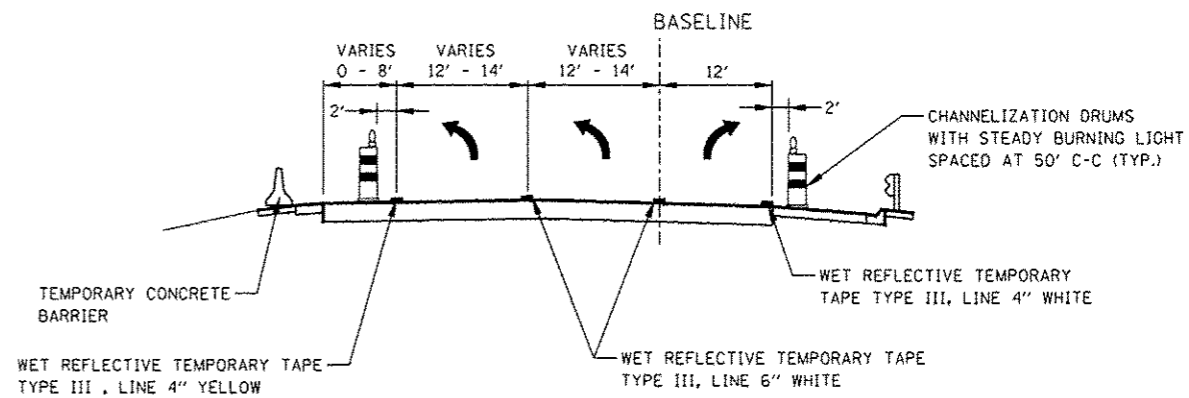
STAGE 1



STAGE 1A & 1B



STAGE 2



STAGE 3 & 3A

NOTES

- PAVEMENT DROP-OFF SHALL NOT EXCEED 24 INCHES BEHIND TYPE II BARRICADES OR CHANNELIZATION DRUMS. TEMPORARY GRADING, IF REQUIRED TO REDUCE DROP-OFF HEIGHT, DURING CONSTRUCTION SHALL BE CONSIDERED INCLUDED IN THE COST FOR TRAFFIC CONTROL AND PROTECTION, (SPECIAL).
- TEMPORARY CONCRETE BARRIER SHALL BE CONTINUOUSLY PINNED TO THE PAVEMENT. SEE MAINTENANCE OF TRAFFIC GENERAL NOTES.

FILE NAME *	USER NAME * #USER*	DESIGNED <i>PJO</i>	REVISED -ADDENDUM A 01/08/2013
#FILE#		DRAWN <i>KES</i>	REVISED -
	PLOT SCALE * #SCALE*	CHECKED <i>JCM</i>	REVISED -
	PLOT DATE * #DATE*	DATE <i>10/15/2012</i>	REVISED -

**STATE OF ILLINOIS
DEPARTMENT OF TRANSPORTATION**

**MAINTENANCE OF TRAFFIC TYPICAL SECTIONS
RAMP B**

F.A.P. RTE.	SECTION	COUNTY	TOTAL SHEETS	SHEET NO.
338	(112 & 113) WRS-5	DUPAGE	963	112
CONTRACT NO. 60131			ILLINOIS FED. AID PROJECT	

SCALE: SHEET NO. 14 OF 17 SHEETS STA. TO STA.