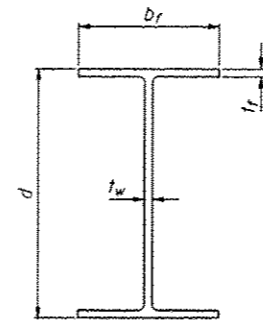
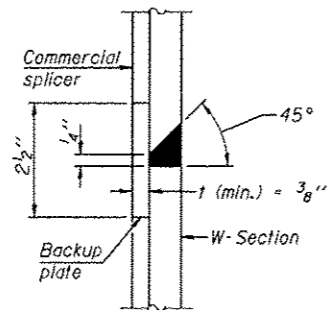


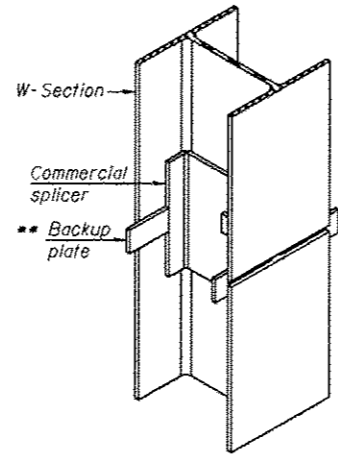
ELEVATION



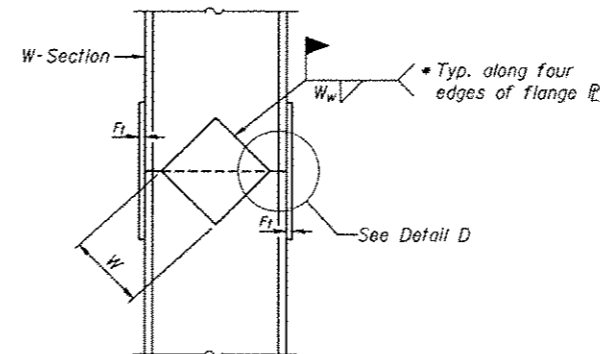
Designation	Depth d	Flange width b _f	Flange thickness t _f	Web thickness t _w	Encasement diameter A
W27x146	27 ³ / ₈ "	14"	1"	5 ³ / ₈ "	36"



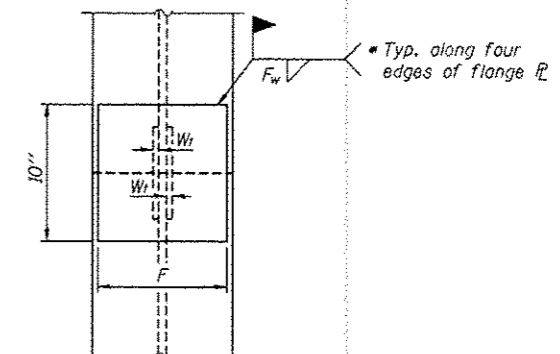
DETAIL "B"



ISOMETRIC VIEW

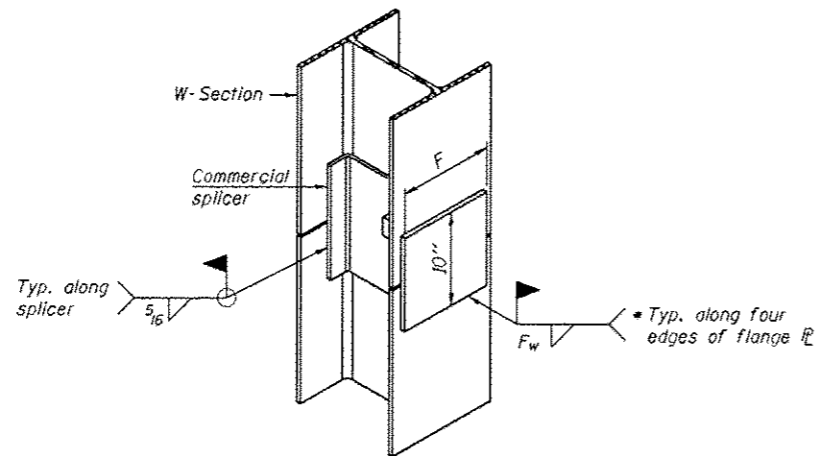


ELEVATION

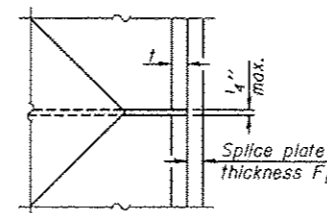


END VIEW

WELDED COMMERCIAL SPLICE



ISOMETRIC VIEW



DETAIL D

Designation	F	F ₁	F _w	W	W _f	W _w
W27x146	12"	1 1/4"	3/4"	16 ³ / ₄ "	5 ³ / ₈ "	3 ³ / ₈ "

WELDED PLATE FIELD SPLICE

WELDED COMMERCIAL SPLICE ALTERNATE

- Interrupt welds 1/4" from end of web and/or each flange.
- Remove portions of backup plates that extend outside the flanges.

Note:
The steel W-Sections shall be according to AASHTO M270 Grade 36.



FILE NAME : ... \02131-0656-028-F1a-SpliceDrawn.rvt

ZROKA
engineering
Zroka Engineering, P.C.
4216 North Hermitage
Chicago, IL 60613

USER NAME = SAW	DESIGNED - LAS	REVISED 12/17/2012 L.A.S.
PLOT SCALE = 0.1667' / IN.	CHECKED - DAZ	REVISED
PLOT DATE = 12/12/2012	DRAWN - SAW	REVISED
	CHECKED - JLA	REVISED

STATE OF ILLINOIS
DEPARTMENT OF TRANSPORTATION

PILE SPLICE DETAILS
STRUCTURE NUMBER 022-W066

SHEET NO. SE-9 OF SE-11 SHEETS

F.A.P. RTE.	SECTION	COUNTY	TOTAL SHEETS	SHEET NO.
338/IL 59	(112 & 113) WRS-5	DUPAGE	963	681
CONTRACT NO. 60131			ILLINOIS FED. AID PROJECT	