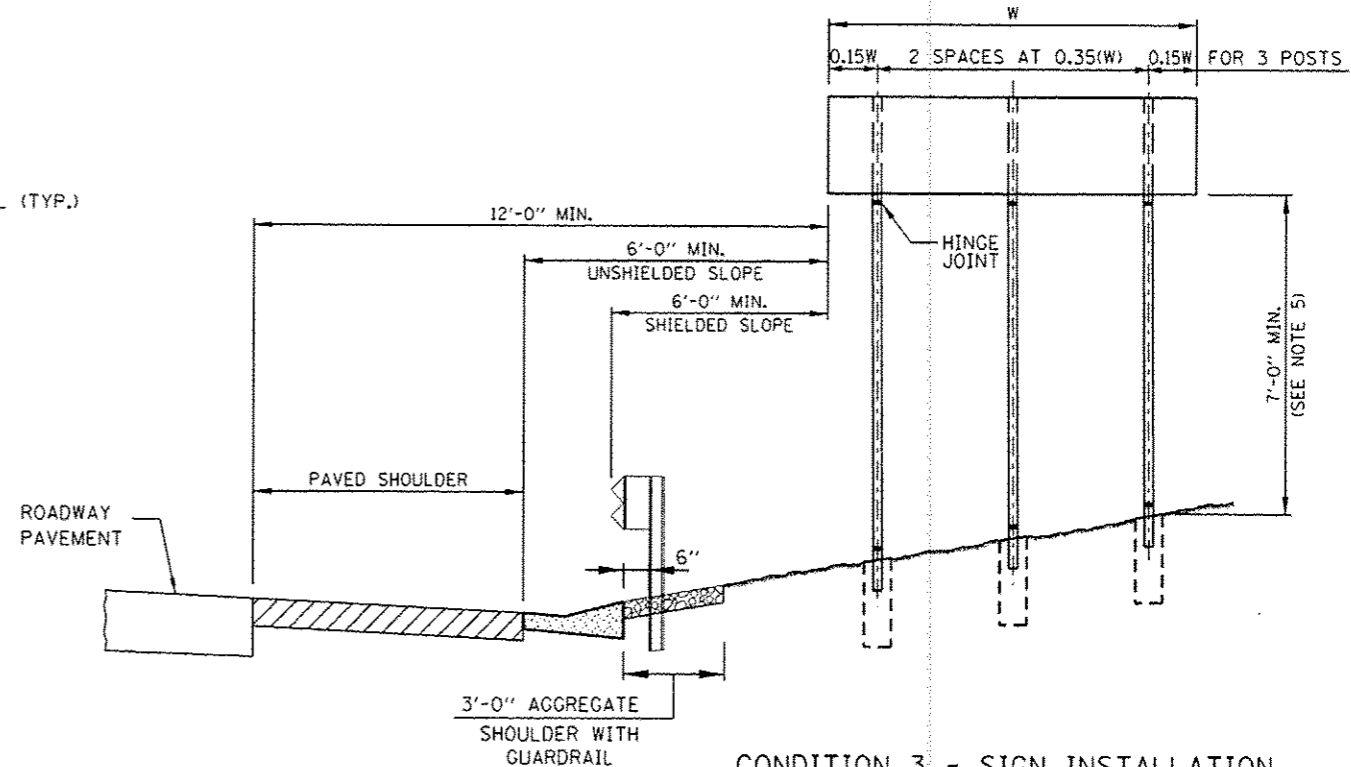


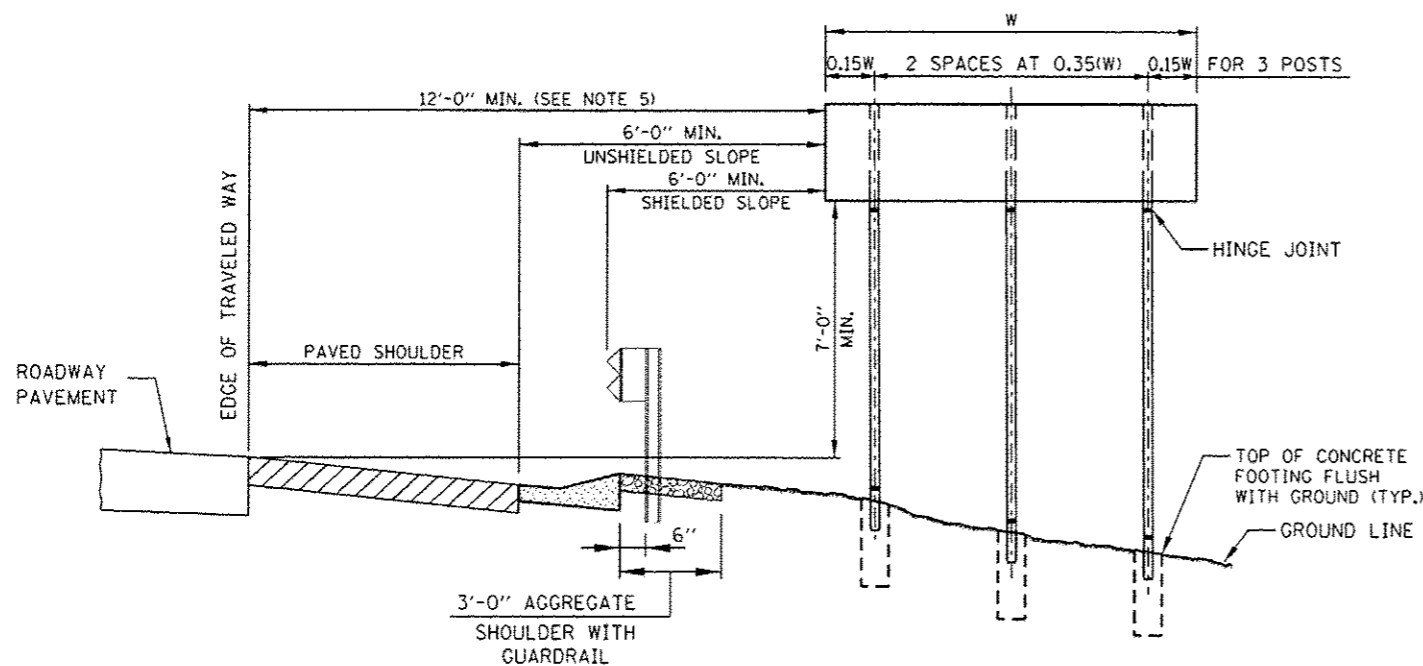
**CONDITION 1 - SIGN INSTALLATION**

- 1a.) WITHOUT GUTTER - UNSHIELDED SLOPE
- 1b.) WITHOUT GUTTER - SHIELDED SLOPE



**CONDITION 3 - SIGN INSTALLATION**

- 3a.) WITH GUTTER - UNSHIELDED SLOPE
- 3b.) WITH GUTTER - SHIELDED SLOPE



**CONDITION 2 - SIGN INSTALLATION**

- 2a.) WITH GUTTER - UNSHIELDED SLOPE
- 2b.) WITH GUTTER - SHIELDED SLOPE

**NOTES:**

1. SEE SIGN INSTALLATION SCHEDULE IN CONTRACT PLANS FOR DIMENSIONS.
2. THE DIMENSIONS OF ALL POSTS FOR GROUND MOUNTED SIGNS ARE BASED ON DESIGN CROSS SECTIONS. THE CONTRACTOR SHALL VERIFY REQUIRED POST LENGTHS IN THE FIELD, PRIOR TO SUBMITTING SHOP DRAWINGS AND POST FABRICATION TO MAINTAIN THE CLEARANCES SHOWN.
3. SIGN FOUNDATION ELEVATIONS TO BE BASED ON FINISHED SLOPES.
4. ANY ADDITIONAL SIGN TO BE ADDED LATER MUST BE SUPPORTED BY THE EXISTING SIGN PANEL AND NOT THE SIGN POST. MINIMUM CLEARANCES SHALL BE MAINTAINED.
5. SIGNS THAT ARE PLACED WELL OUTSIDE THE CLEAR ZONE MAY BE INSTALLED WITH A MINIMUM HEIGHT OF 5 FEET, MEASURED VERTICALLY FROM THE BOTTOM OF THE SIGN TO THE HORIZONTAL ELEVATION OF THE NEAR EDGE OF TRAVELED ROADWAY.
6. MINIMUM HEIGHT OF LOWEST POST SHALL BE 7'-0" MEASURED BETWEEN STUB PROJECTION AND HINGE JOINT.
7. FOR TWO POSTS SPACED LESS THAN 7 FEET APART, EACH POST SHALL HAVE A MASS LESS THAN 18 lb/ft.
8. WHEN THE TOTAL COMBINED WEIGHT OF THE TWO POSTS LOCATED WITHIN 7 FEET OF EACH OTHER EXCEEDS 600 lbs., THE SIGN SHALL BE PLACED WELL OUTSIDE THE CLEAR ZONE OR BE SHIELDED FROM VEHICULAR IMPACT.