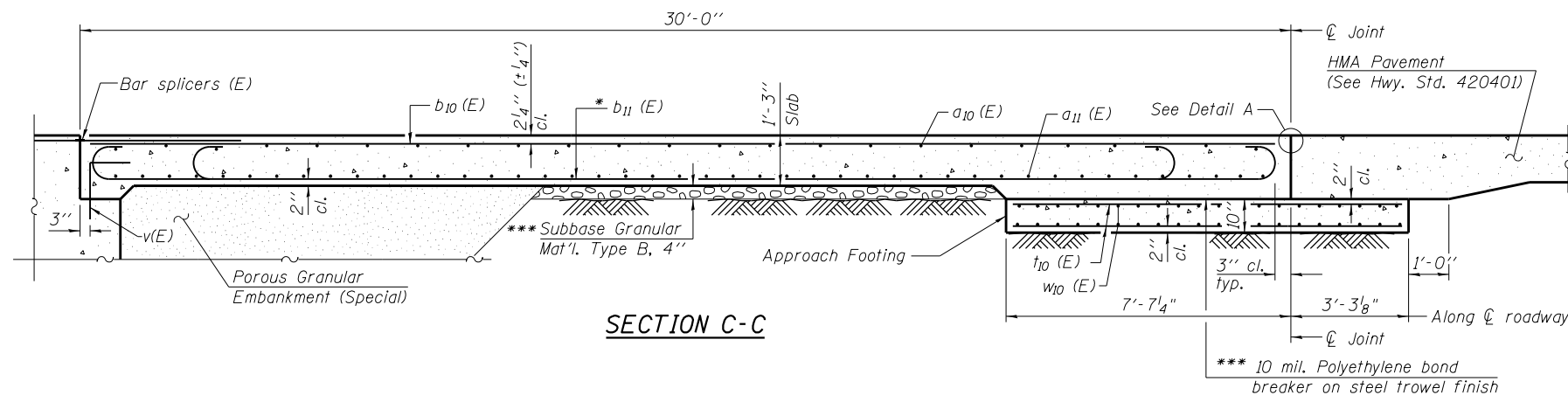
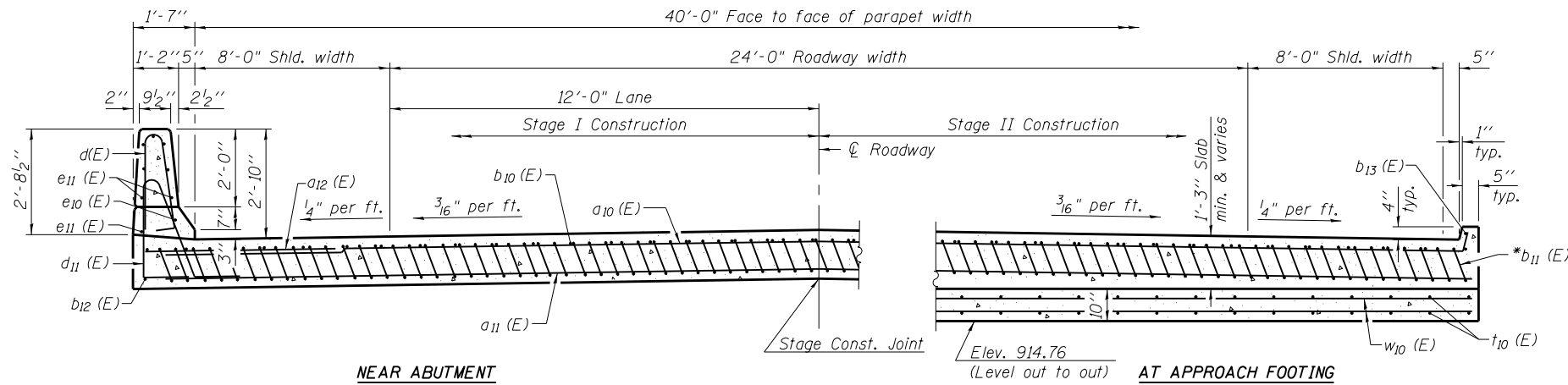


Notes:  
 See sheet 12 of 22 for Detail A and View B-B.  
 Approach slab and parapet concrete shall be paid for as Concrete Superstructure.  
 Approach footing concrete shall be paid for as Concrete Structures.  
 Reinforcement shall be paid for as Reinforcement Bars, Epoxy Coated.  
 For v(E) bar details, see sheet 10 of 22.  
 The approach footing maximum applied service bearing pressure (Qmax) = 2.0 ksf.  
 For bar splicer details, see sheet 18 of 22.  
 Cost of excavation for approach footing included with Concrete Structures.  
 For Porous Granular Embankment (Special) and drainage treatment details, see sheet 2 of 22.  
 For additional parapet details, see sheet 10 of 22.



SECTION C-C

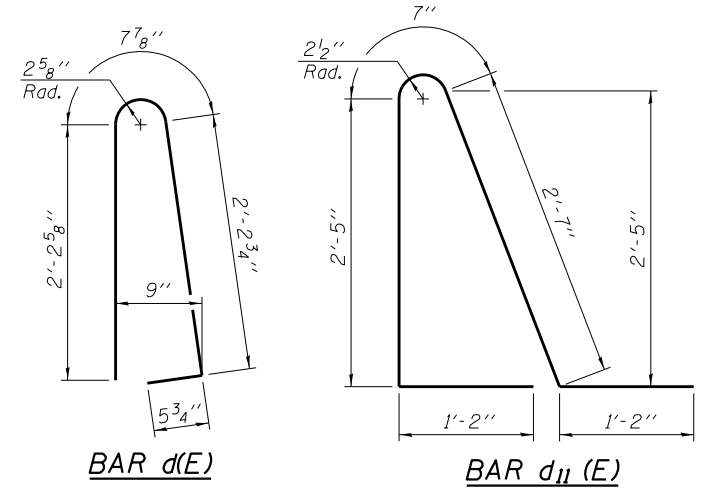


NEAR ABUTMENT

SECTION D-D

(See Plan for dimensions not shown)

AT APPROACH FOOTING



BAR d(E)

BAR d11(E)

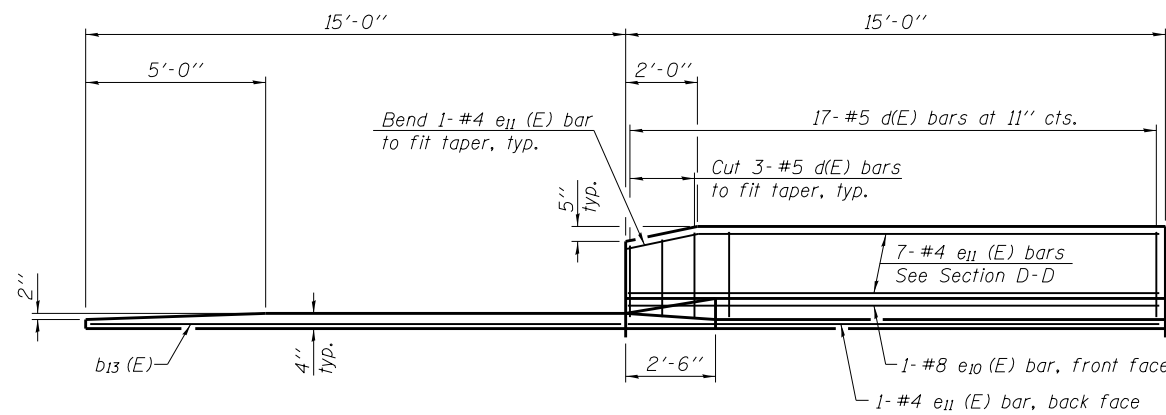
\* Tilt #9 b11(E) bars as required to maintain clearance.

\*\*\* Cost included with Concrete Superstructure.

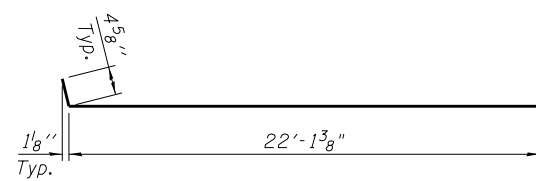
TWO APPROACHES  
 BILL OF MATERIAL

Bar	No.	Size	Length	Shape
a10(E)	104	#4	22'-6"	—
a11(E)	192	#5	22'-4"	—
a12(E)	48	#6	6'-6"	—
b10(E)	68	#4	29'-8"	—
b11(E)	200	#9	29'-9"	—
b12(E)	4	#4	14'-8"	—
b13(E)	4	#4	14'-8"	—
d(E)	68	#5	5'-7"	U
d11(E)	68	#5	7'-11"	U
e10(E)	4	#8	14'-8"	—
e11(E)	32	#4	14'-8"	—
t10(E)	168	#4	10'-6"	—
w10(E)	160	#5	22'-7"	—
Concrete Superstructure		Cu. Yd.	129.8	
Concrete Structures		Cu. Yd.	28.1	
Reinforcement Bars, Epoxy Coated		Pound	34,540	

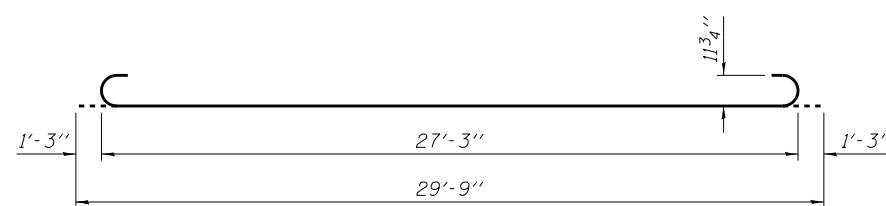
\*\* Reinforcement Bars, Epoxy Coated  
 Superstructure = 29,590  
 Substructure = 4,950



VIEW E-E



BAR a10(E)



BAR b11(E)

(Sheet 2 of 2)

BA-L

7-1-10



USER NAME =	DESIGNED - RJP	REVISED
	CHECKED - MJT	REVISED
PLOT SCALE =	DRAWN - JTF	REVISED
PLOT DATE =	CHECKED - MJT	REVISED

STATE OF ILLINOIS  
 DEPARTMENT OF TRANSPORTATION

BRIDGE APPROACH SLAB DETAILS  
 STRUCTURE NO. 045-0078

SHEET NO. 13 OF 22 SHEETS

F.A.P. RTE.	SECTION	COUNTY	TOTAL SHEETS	SHEET NO.
326	106X-B	KANE	87	51
			CONTRACT NO. 60N13	
ILLINOIS FED. AID PROJECT				