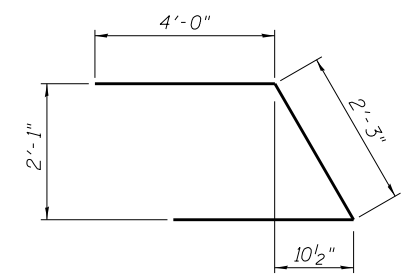
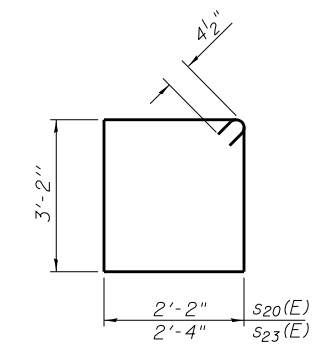
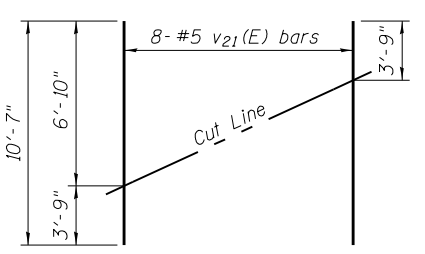


PILE DATA
 Type: 12" Metal Shell Piles with 0.25" walls
 Nominal Required Bearing: 319 Kips
 Factored Resistance Available: 175 Kips
 Est. Length: 51'
 No. Production Piles: 5
 No. Test Piles: 1



BILL OF MATERIAL

Bar	No.	Size	Length	Shape
h ₂₀ (E)	44	#6	10'-6"	—
p ₂₀ (E)	16	#7	23'-1"	—
s ₂₀ (E)	36	#4	11'-5"	□
s ₂₃ (E)	4	#4	11'-9"	□
u ₂₀ (E)	8	#6	10'-3"	∩
v ₂₀ (E)	93	#5	4'-4"	—
v ₂₁ (E)	16	#5	10'-7"	—
v ₂₂ (E)	4	#5	6'-10"	—
Structure Excavation		Cu. Yd.	24.5	
Concrete Structures		Cu. Yd.	19.1	
Reinforcement Bars, Epoxy Coated		Pound	2,500	
Furnishing Metal Shell Piles 12" x .25"		Foot	255	
Driving Piles		Foot	255	
Test Pile, Metal Shells		Each	1	

For details of Bar Splicers, see sheet 18 of 22.
 For details of piles, see sheet 17 of 22.

AI-L 7-1-10



USER NAME =	DESIGNED - RJP	REVISED
	CHECKED - MJT	REVISED
PLOT SCALE =	DRAWN - JTF	REVISED
PLOT DATE =	CHECKED - MJT	REVISED

STATE OF ILLINOIS
 DEPARTMENT OF TRANSPORTATION

NORTH ABUTMENT
 STRUCTURE NO. 045-0078

SHEET NO. 16 OF 22 SHEETS

F.A.P. RTE.	SECTION	COUNTY	TOTAL SHEETS	SHEET NO.
326	106X-B	KANE	87	54
ILLINOIS FED. AID PROJECT			CONTRACT NO. 60N13	