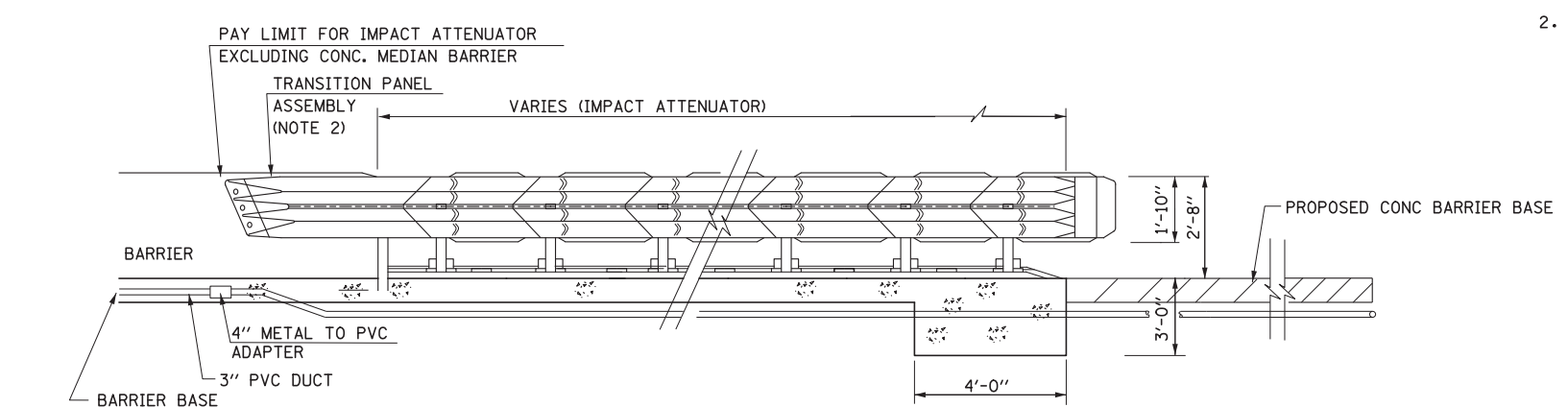
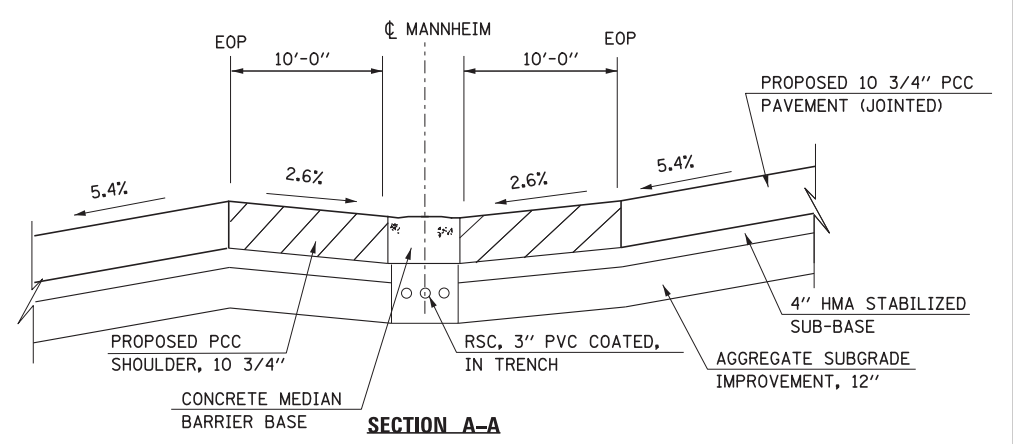
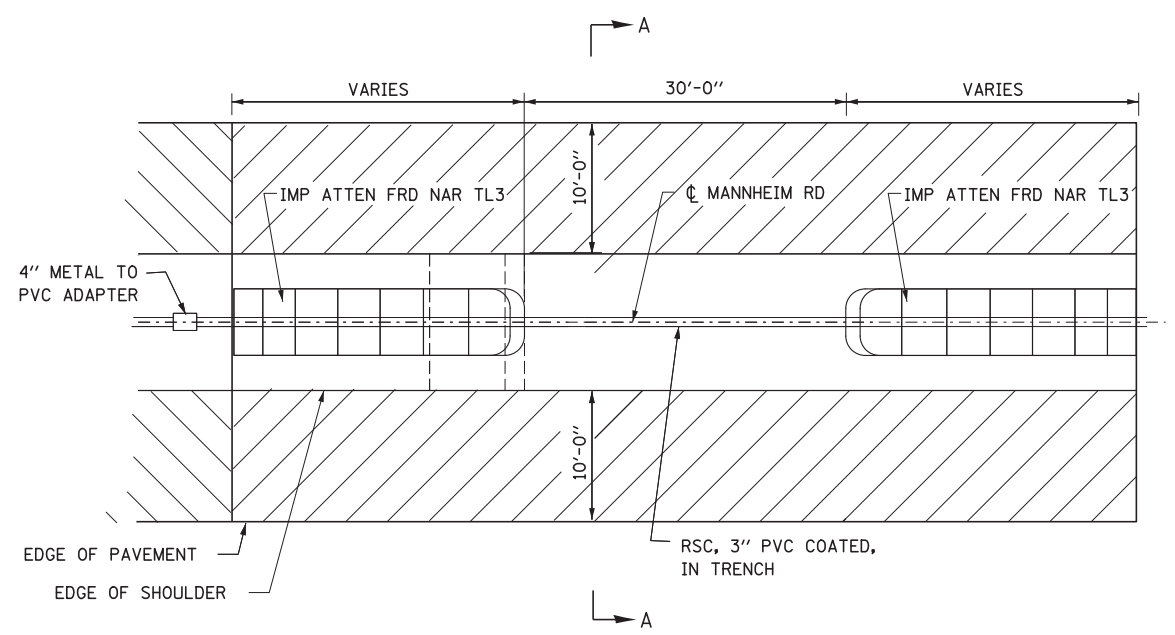


PLAN



**ELEVATION
IMPACT ATTENUATOR**



SECTION A-A

GENERAL NOTES:

1. THE CONTRACTOR SHALL SUBMIT, FOR APPROVAL, SHOP DRAWINGS AND DETAILED INSTALLATION DRAWINGS THAT ACCURATELY DEPICT ALL DETAILS NECESSARY FOR COMPLETING THE INSTALLATION. ALL WORKMANSHIP AND MATERIALS SHALL BE SUBJECT TO THE APPROVAL OF THE ENGINEER.
2. TRANSITION PANEL INCLUDED IN COST OF ATTENUATOR.



USER NAME = mkosir
 PLOT SCALE = 20:1
 PLOT DATE = 23-OCT-2012

DESIGNED LLS/MMK
 DRAWN MMK
 CHECKED LLS
 DATE 10/19/12

REVISED -
 REVISED -
 REVISED -
 REVISED -

**STATE OF ILLINOIS
 DEPARTMENT OF TRANSPORTATION**

**ROADWAY DETAILS
 PERMANENT MEDIAN CROSSOVER**

SCALE: 1" = 20' SHEET NO. 2 OF 7 SHEETS STA. TO STA.

F.A.P. RTE.	SECTION	COUNTY	TOTAL SHEETS	SHEET NO.
330	0105-WRS	COOK	537	71
CONTRACT NO. 60P35				
ILLINOIS FED. AID PROJECT				