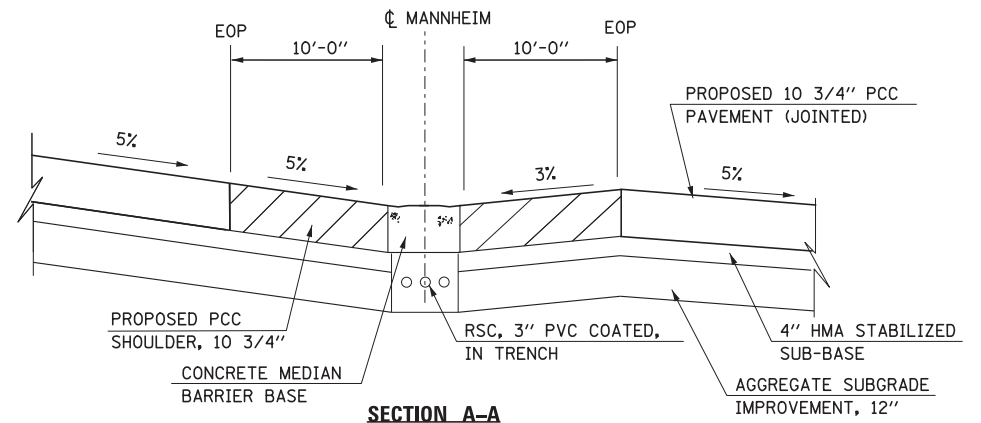


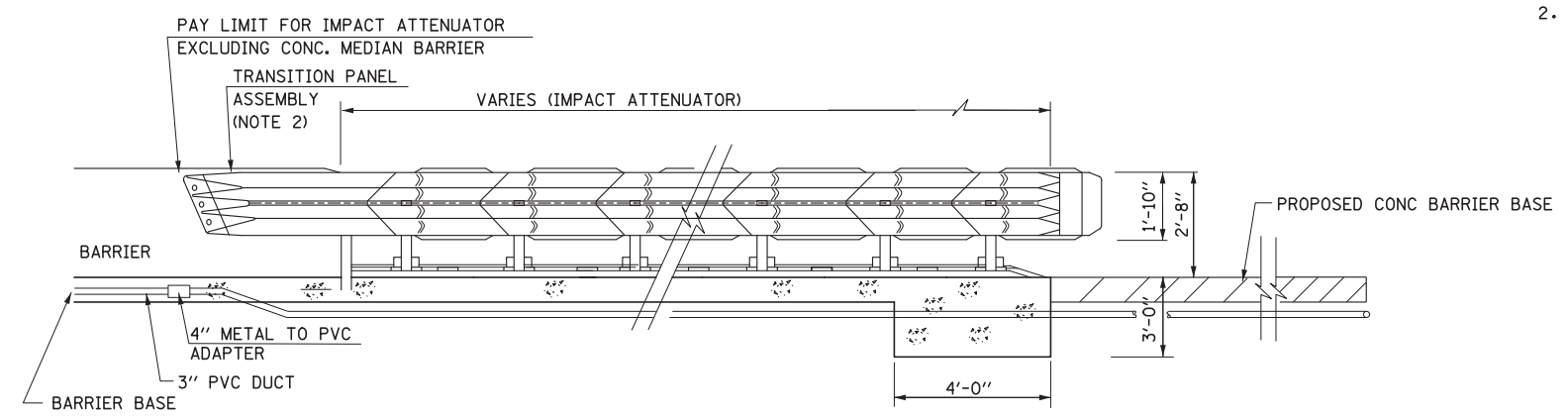
PLAN



SECTION A-A

**GENERAL NOTES:**

1. THE CONTRACTOR SHALL SUBMIT, FOR APPROVAL, SHOP DRAWINGS AND DETAILED INSTALLATION DRAWINGS THAT ACCURATELY DEPICT ALL DETAILS NECESSARY FOR COMPLETING THE INSTALLATION. ALL WORKMANSHIP AND MATERIALS SHALL BE SUBJECT TO THE APPROVAL OF THE ENGINEER.
2. TRANSITION PANEL INCLUDED IN COST OF ATTENUATOR.



ELEVATION  
IMPACT ATTENUATOR



USER NAME = micosir	DESIGNED LLS/MMK	REVISED -
	DRAWN MMK	REVISED -
PLOT SCALE = 20:1	CHECKED LLS	REVISED -
PLOT DATE = 23-OCT-2012	DATE 10/19/12	REVISED -

STATE OF ILLINOIS  
DEPARTMENT OF TRANSPORTATION

ROADWAY DETAILS  
IMPACT ATTENUATOR

SCALE: 1" = 20' SHEET NO. 3 OF 7 SHEETS STA. TO STA.

F.A.P. RTE.	SECTION	COUNTY	TOTAL SHEETS	SHEET NO.
330	0105-WRS	COOK	537	72
CONTRACT NO. 60P35				
ILLINOIS FED. AID PROJECT				

PD-03