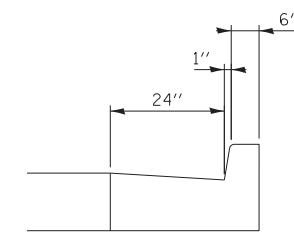
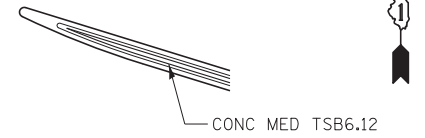


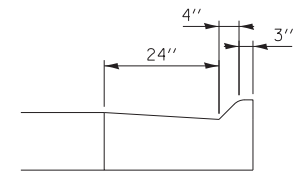


GENERAL NOTES

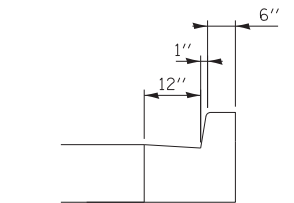
Concrete curb and gutter transitions included in the cost of the mainline concrete curb and gutter pay item.



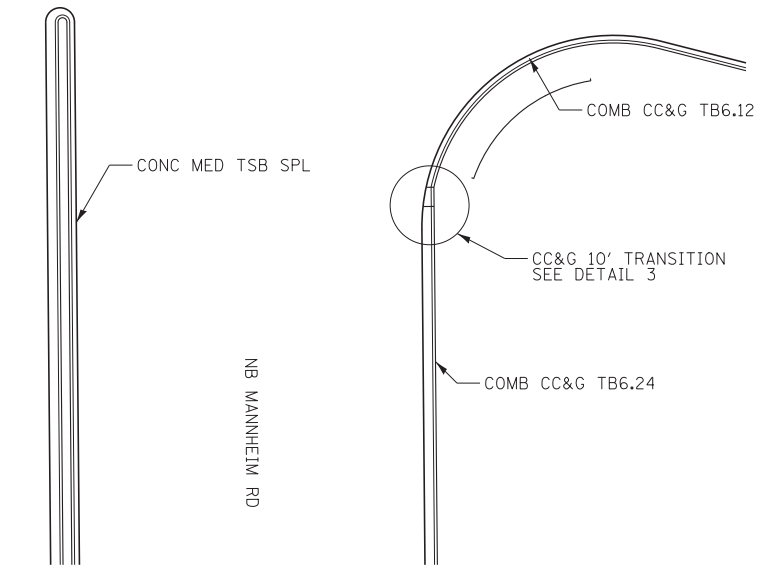
CC&G TB6.24



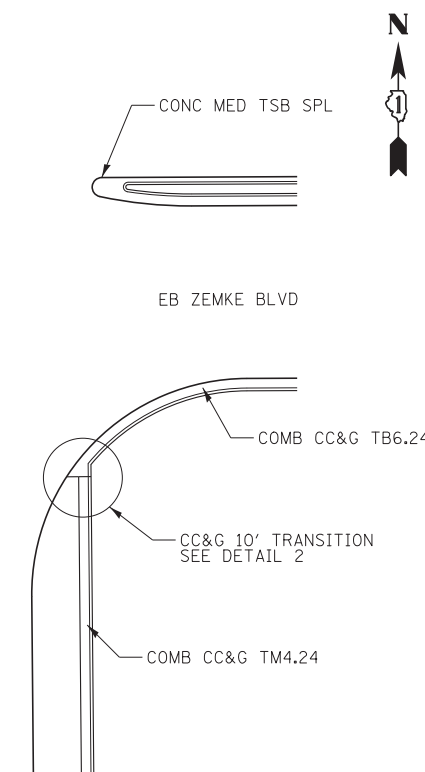
CC&G TM4.24



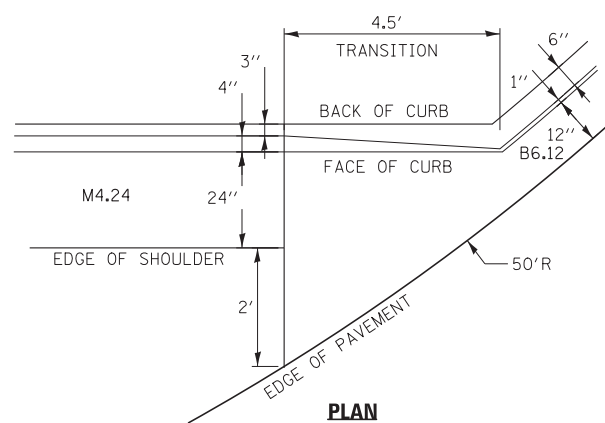
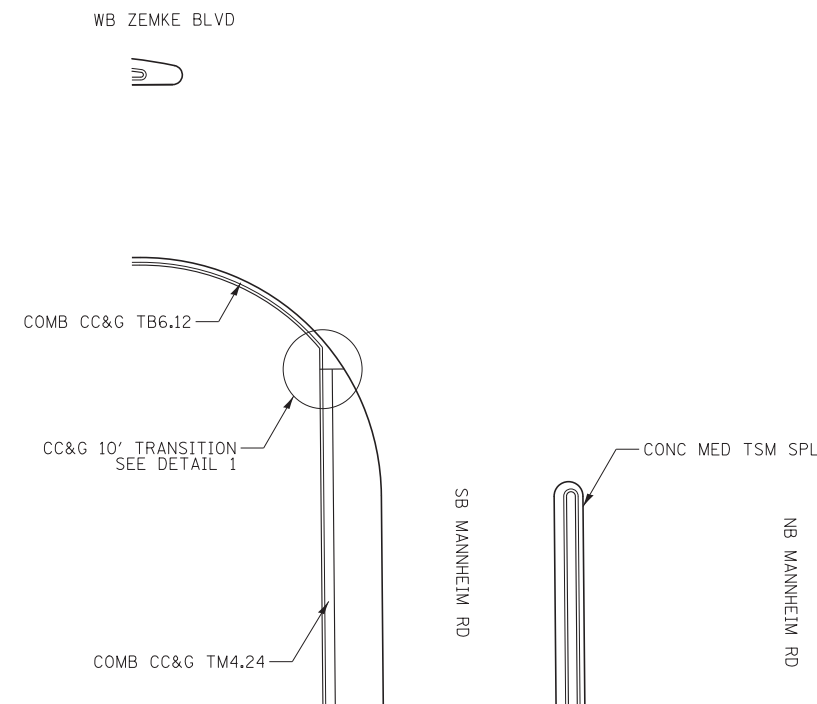
CC&G TB6.12



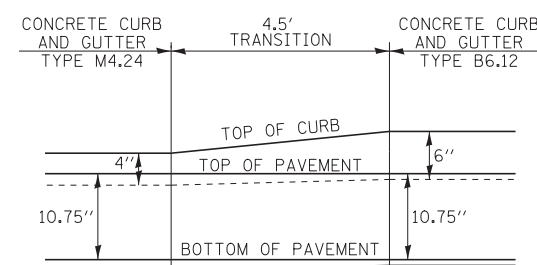
**PLAN
SE CORNER OF HIGGINS RD**



**PLAN
ZEMKE BLVD**

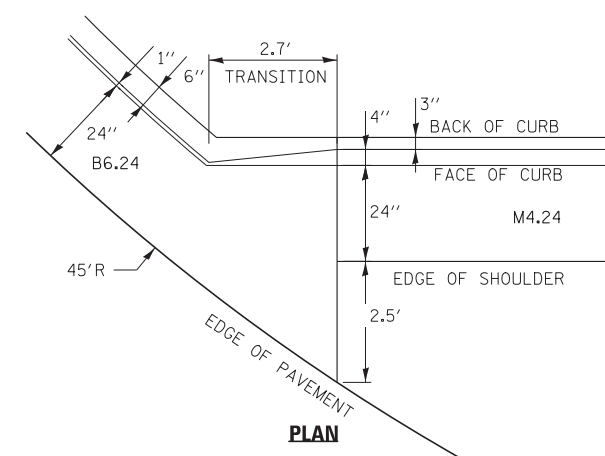


PLAN

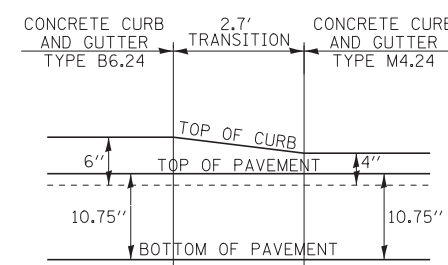


ELEVATION

**DETAIL 1
CC&G TRANSITION TM4.24 TO TB6.12**

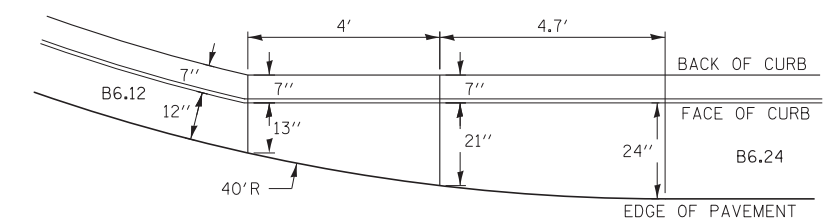


PLAN

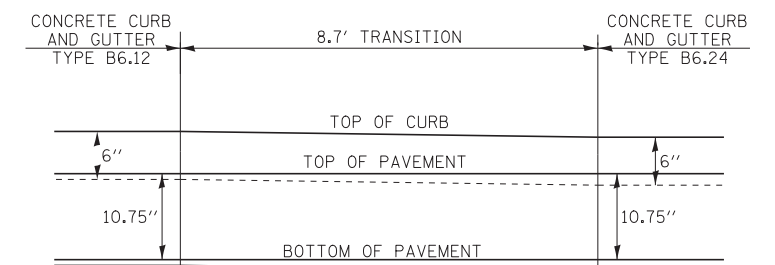


ELEVATION

**DETAIL 2
CC&G TRANSITION TM4.24 TO TB6.24**



PLAN



ELEVATION

**DETAIL 3
CC&G TRANSITION TB6.24 TO TB6.12**



USER NAME = mko31r	DESIGNED LLS/MMK	REVISED -
PLOT SCALE = 20:1	DRAWN MMK	REVISED -
PLOT DATE = 23-OCT-2012	CHECKED LLS	REVISED -
	DATE 10/19/12	REVISED -

STATE OF ILLINOIS
DEPARTMENT OF TRANSPORTATION

ROADWAY DETAILS
COMBINATION CONCRETE CURB AND GUTTER TRANSITION

F.A.P. RTE. 330	SECTION 0105-WRS	COUNTY COOK	TOTAL SHEETS 537	SHEET NO. 74
CONTRACT NO. 60P35				ILLINOIS FED. AID PROJECT

SCALE: N.T.S. SHEET NO. 5 OF 7 SHEETS STA. TO STA.