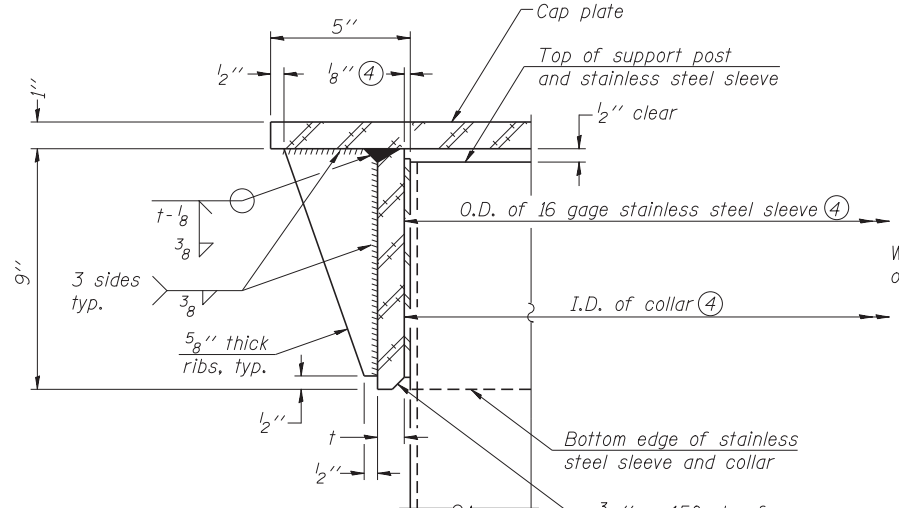
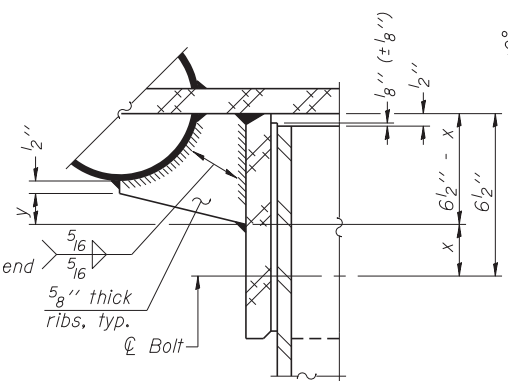


④ Collar I.D. shall be manufactured to correspond to O.D. of actual galvanized post and stainless steel sleeve plus 1/8" (+/- 1/16"). Maximum gap between post and collar at any location equals 1/8" before tightening bolts.

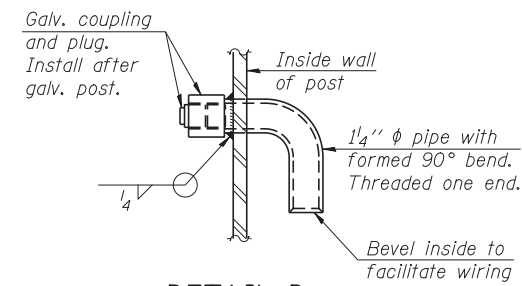
**SECTION B-B**  
Bolts, washers (including contoured washers), and locknuts shall be stainless steel.



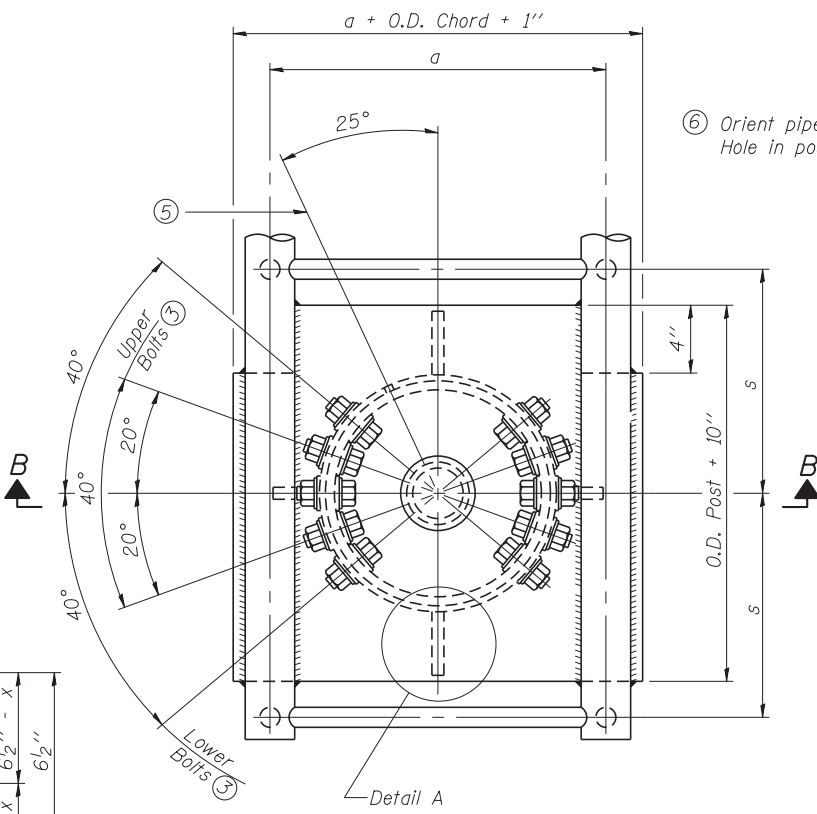
**DETAIL A**  
(Two locations)  
3/16" - 45° chamfer on inside of collar to facilitate field assembly



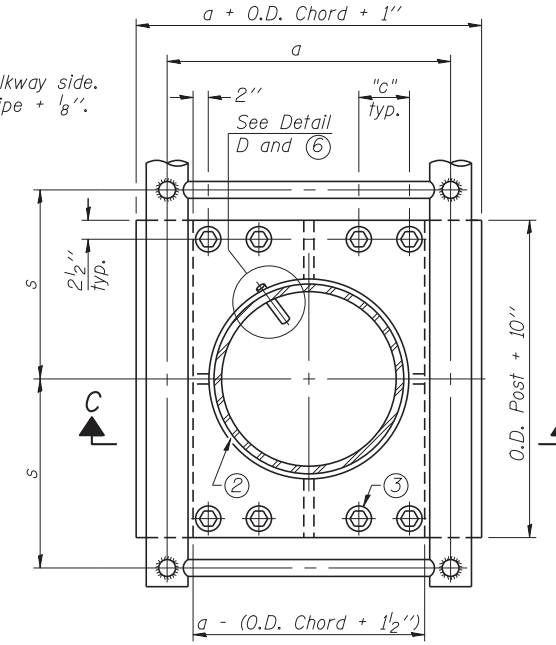
**DETAIL B**  
Two locations  
(For details not shown, see Detail C)



**DETAIL D**

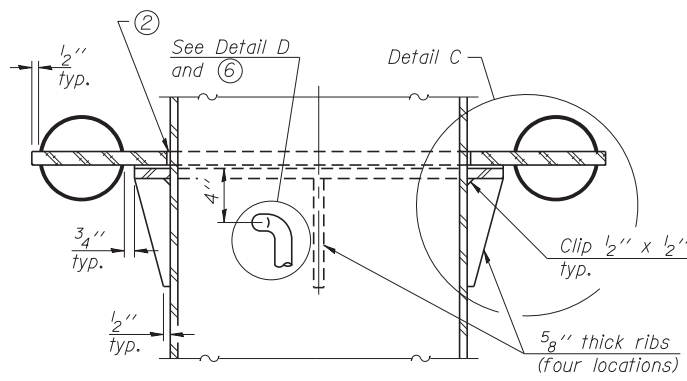


**PLAN VIEW - TOP OF COLUMN**  
⑤ Optional full penetration weld in collar. (Two locations maximum....(180° apart)....X-ray or UT 100%)

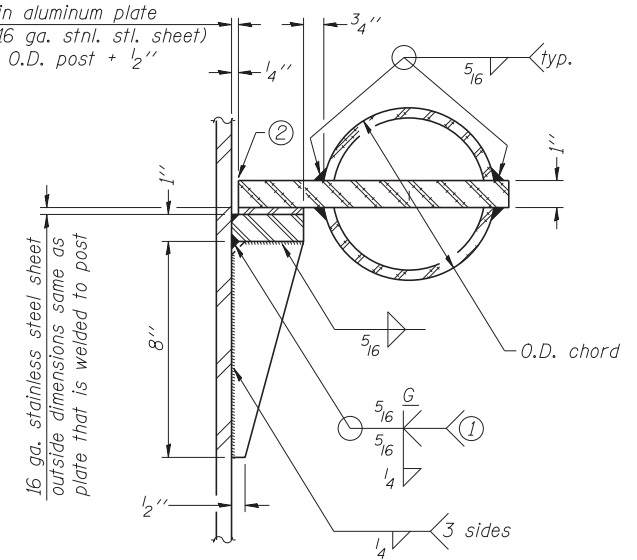


**SECTION THRU POST ABOVE LOWER CHORDS**

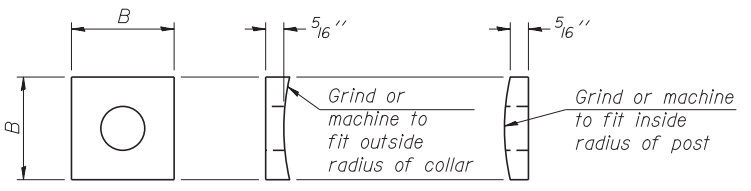
Hole in aluminum plate (and 16 ga. stnl. stl. sheet) to be O.D. post + 1/2"



**SECTION C-C**



**DETAIL C**



**CONTOURED WASHERS**

Bolt Size	Contoured Washers	
	Hole Dia.	B
7/8"	1"	2 1/2"
1"	1 1/8"	3"
1 1/4"	1 3/8"	3 1/4"

**DETAIL OF STAINLESS STEEL SLEEVE**

Weld to post after galvanizing. (Prepare post surface to insure tight, uniform fit and allow welding.) Welds to be 1 1/2" long at 6" cts. along top edge and at 1/4" opening.

Truss Type	Post Size	Upper & Lower Connection Bolt Diameter ③	Lower Juncture Bolt Spacing Dimension "c" ③	Opening in Cap Plate "HH"	Collar Thickness (t)	Side Ribs	
						x	y
I-C-A	16" phi (83#/')	7/8"	3 1/4"	8"	5/8"	1 3/4"	2 1/4"
II-C-A	24" phi (125#/')	1"	3 1/2"	12"	7/8"	2"	1 1/4"
III-C-A (35' max.)	24" phi (125#/')	1 1/4"	3 1/2"	12"	7/8"	2"	1"
III-C-A (>35' to 40')	24" phi (171#/')	1 1/4"	3 1/2"	12"	7/8"	2"	1"

- ① Grind top if required to fully seat aluminum plate and stainless steel sheet.
- ② After tightening lower connection bolts, fill gap with non-hardening, silicone caulk suitable for exterior exposure and acceptable to the Engineer. Cost is included in Overhead Sign Structure Cantilever.
- ③ Upper and lower connection bolts in collar and bolts at lower chord connection shall be high strength with matching locknuts. Connection bolts shall have 2 stainless steel flat washers each.

OSC-A-3

9-15-11



USER NAME = lkalito	DESIGNED PCA	REVISED
CHECKED MRI		REVISED
PLOT SCALE = 0.883333:1	DRAWN LK	REVISED
PLOT DATE = 09-OCT-2012	DATE 10/19/12	REVISED

STATE OF ILLINOIS  
DEPARTMENT OF TRANSPORTATION

CANTILEVER SIGN STRUCTURES - JUNCTURE DETAILS  
ALUMINUM TRUSS & STEEL POST

SHEET NO. S-4 OF 8 SHEETS

F.A. RTE.	SECTION	COUNTY	TOTAL SHEETS	SHEET NO.
330	0105-WRS	COOK	537	221
CONTRACT NO. 60P35				

ILLINOIS FED. AID PROJECT