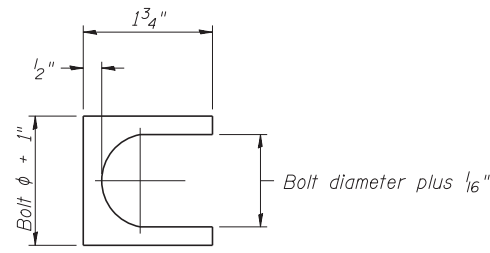


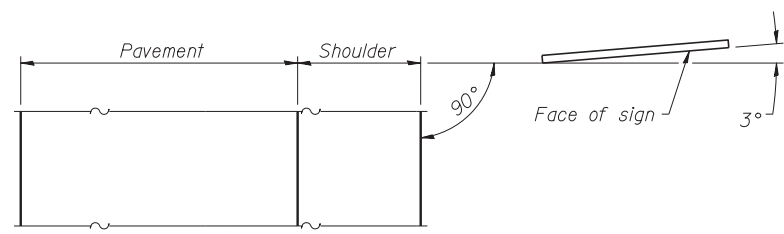
ELEVATION

0.15W	2 spaces at 0.35W	0.15W	for 3 posts
0.125W	3 spaces at 0.25W	0.125W	for 4 posts
0.1W	4 spaces at 0.2W	0.1W	for 5 posts
0.1W	5 spaces at 0.16W	0.1W	for 6 posts
0.08W	6 spaces at 0.14W	0.08W	for 7 posts

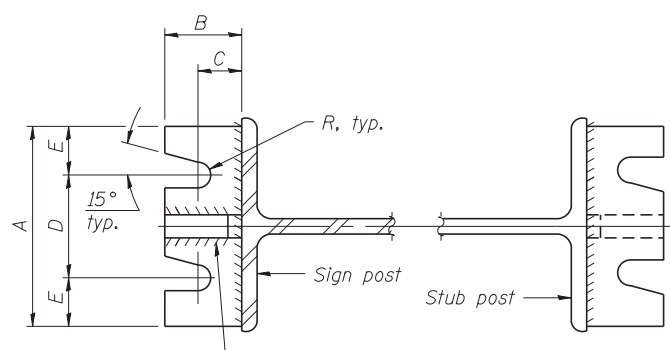


SHIM DETAIL

Furnish two 0.01" thick and two 0.03" thick stainless steel or brass (ASTM B36) shims per post.

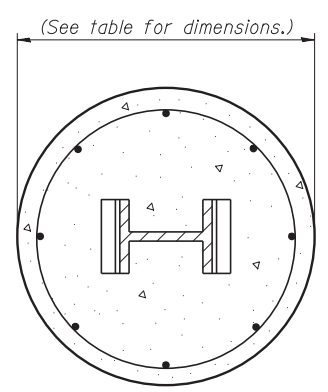


LOCATION SKETCH

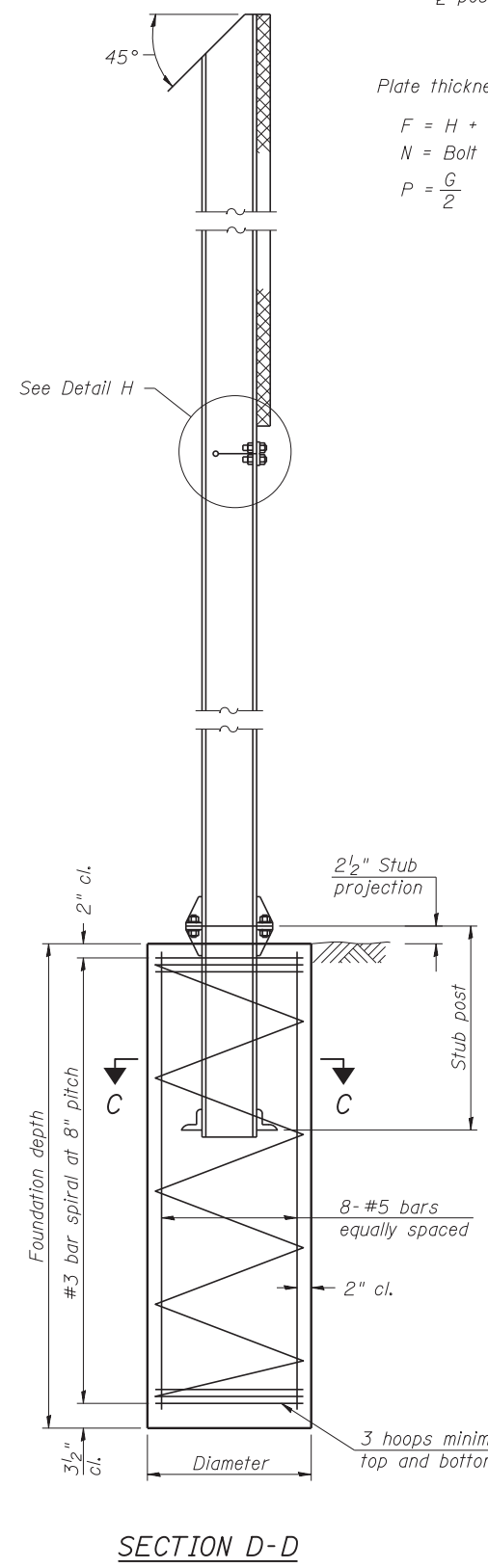


SECTION A-A

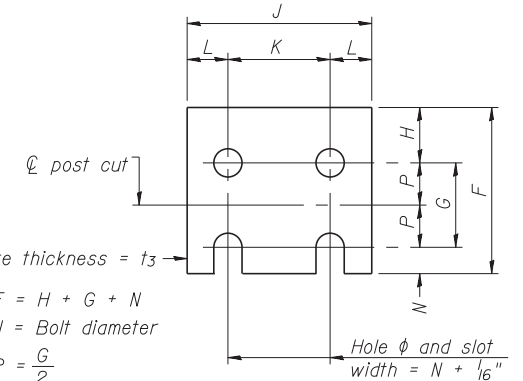
SECTION B-B



SECTION C-C

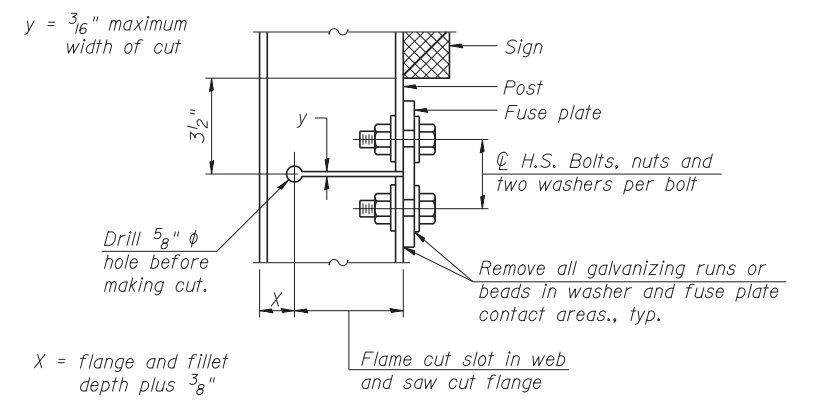


SECTION D-D

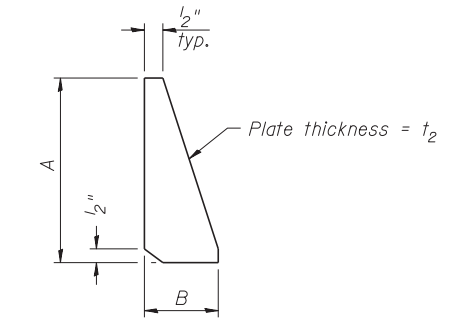


FUSE PLATE DETAIL
(Install with notches down.)

N = Bolt Diameter	G	H
1/2"	2"	1 1/8"
5/8"	2 1/4"	1 1/4"
3/4"	2 1/2"	1 3/8"
7/8"	2 3/4"	1 1/2"
1"	3"	1 5/8"
1 1/8"	3 1/4"	1 3/4"
1 1/4"	3 1/2"	1 7/8"



DETAIL H



STIFFENER PLATE DETAIL
Diameter

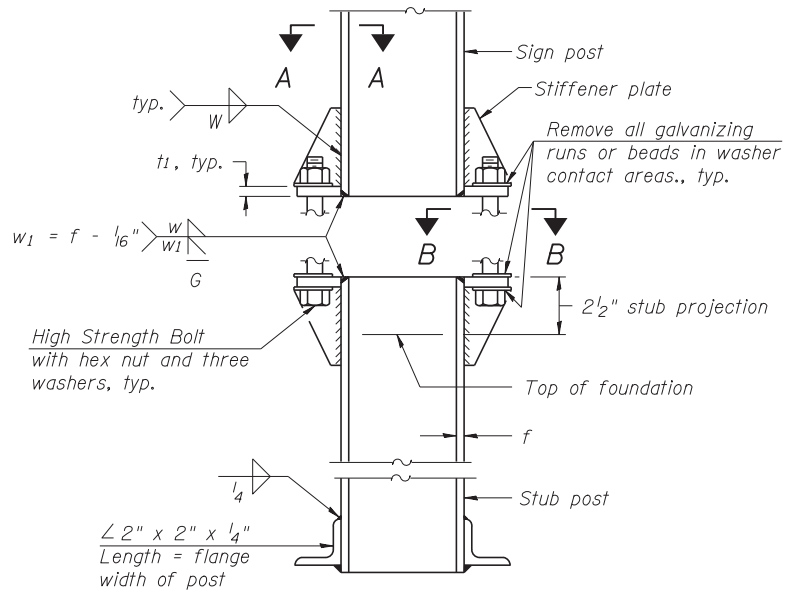
GENERAL NOTES

Posts shall be plumbed by using shims with post-to-stub post connection bolts snug tight only. Final tightening of all High Strength Bolts shall be in accordance with Article 727.05 and threads at the junction of the bolt and nut shall be burred or center punched to prevent the nut from loosening.

LOADING: 80 m.p.h. wind with 30% gust factor, normal to sign.

DESIGN STRESSES:
Structural steel - 20,000 p.s.i.
Reinforcing steel - 20,000 p.s.i.
Concrete - 1,400 p.s.i.
Footing soil pressure - 2,000 p.s.f.

After fabrication, the post, fuse plate and upper 6", min. of the stub post shall be hot-dip galvanized in accordance with AASHTO M111. All bolts, nuts and washers shall be hot-dip galvanized in accordance with AASHTO M232.



ELEVATION SIGN POST & STUB POST

BAW-A-1

1-20-11

(Sheet 1 of 2)



USER NAME = mikosir	DESIGNED	REVISED -
PLOT SCALE = 10:1	DRAWN	REVISED -
PLOT DATE = 08-OCT-2012	CHECKED	REVISED -
	DATE 10/19/12	REVISED -

DESIGNED	REVISED -
DRAWN	REVISED -
CHECKED	REVISED -
DATE 10/19/12	REVISED -

STATE OF ILLINOIS
DEPARTMENT OF TRANSPORTATION

BREAK-AWAY WIDE FLANGE
STEEL SIGN POST DETAILS

SCALE: 1" = 10' SHEET NO. 1 OF 2 SHEETS STA. TO STA.

F.A.P. RTE. 330	SECTION 0105-WRS	COUNTY COOK	TOTAL SHEETS 537	SHEET NO. 226
CONTRACT NO. 60P35				
ILLINOIS FED. AID PROJECT				

SGN-GM-01

Work this sheet with Base Sheet BAW-A-2.