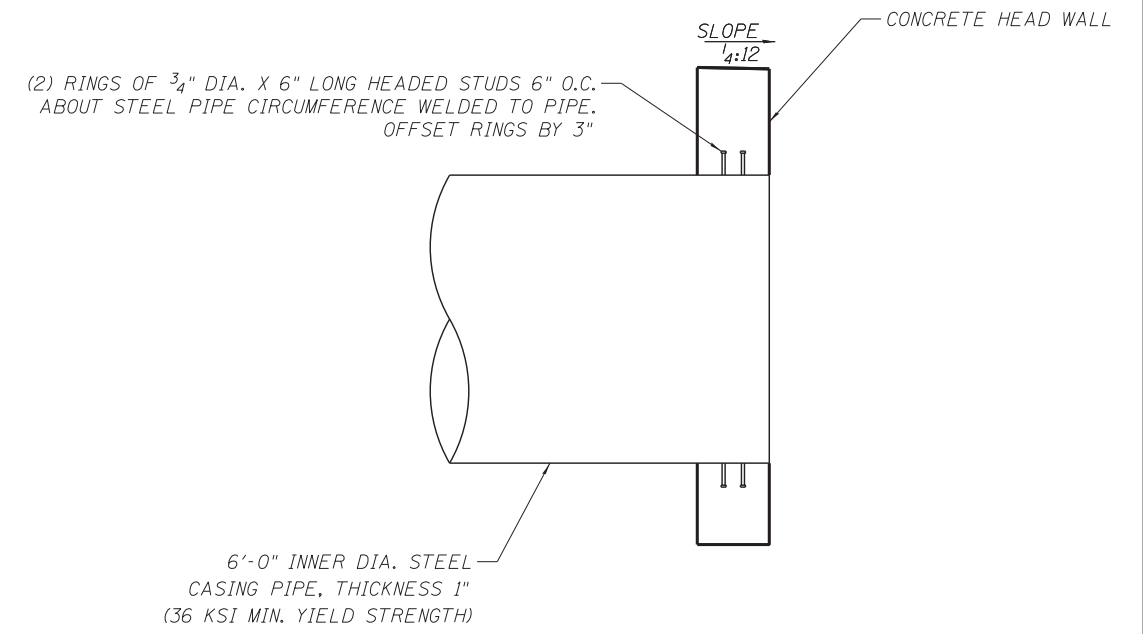
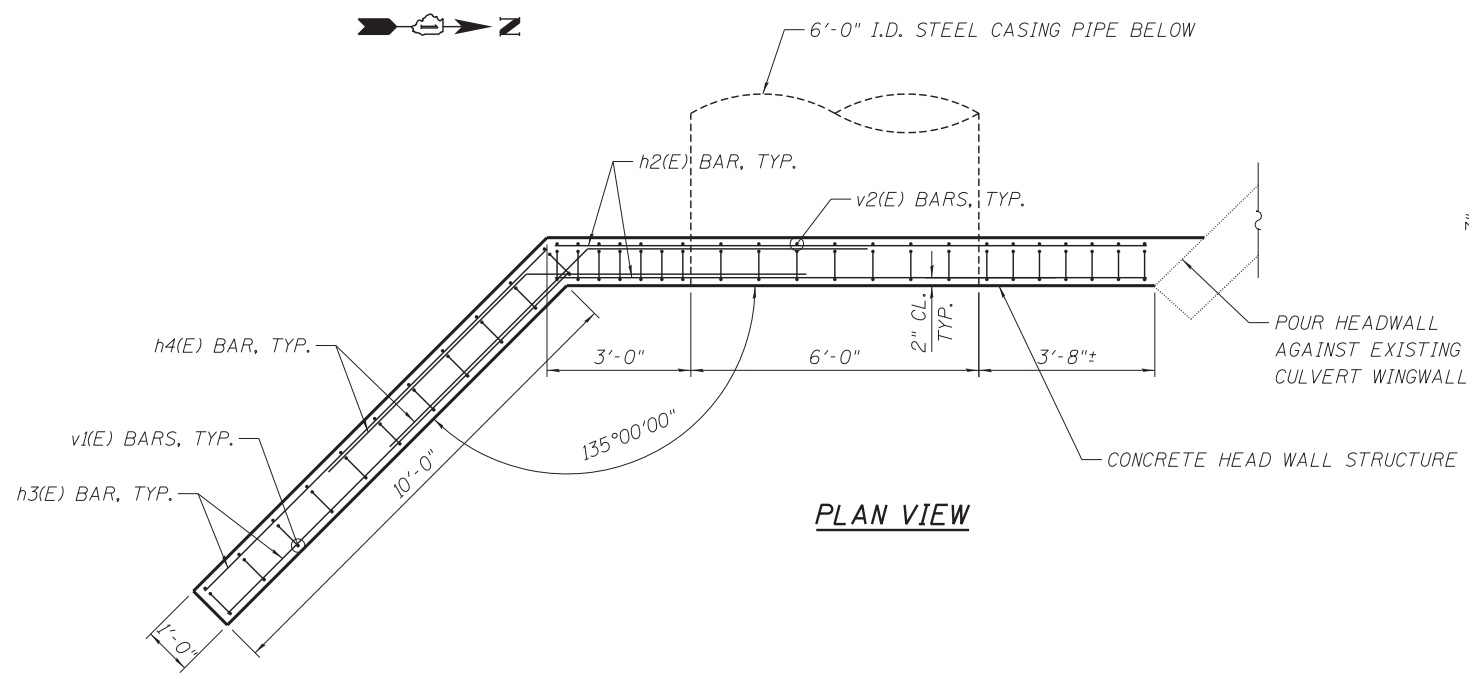


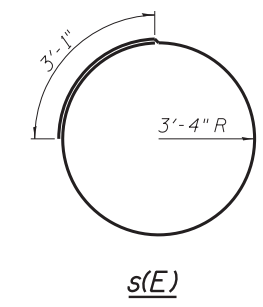
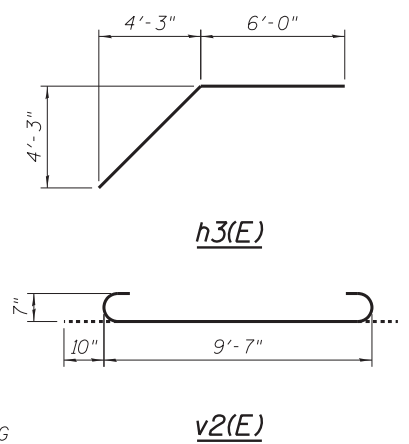
ELEVATION VIEW
(LOOKING WEST)



SECTION VIEW
(LOOKING NORTH)



PLAN VIEW



BILL OF MATERIAL

Bar	No.	Size	Length	Shape
h1(E)	8	#7	7'-0"	—
h2(E)	32	#7	12'-4"	—
h3(E)	32	#7	10'-1"	—
h4(E)	32	#7	12'-0"	—
v1(E)	30	#7	9'-7"	—
v2(E)	30	#7	11'-3"	—
s(E)	2	#7	24'-1"	○
CONCRETE STRUCTURES			CU. YD.	7.4
REINFORCEMENT BARS, EPOXY COATED			POUND	3,740

NOTES:

- LENGTH PROVIDED IS APPROXIMATE. ACTUAL HEADWALL WIDTH MAY BE DIFFERENT FROM SHOWN BASED ON SHEET PILE SPACING. ADJUST BAR LENGTHS ACCORDINGLY.
- CUT v1(E), h2(E) AND h4(E) BARS TO FIT AROUND CULVERT PIPE. MAINTAIN 2" CLEAR COVER FROM EDGE OF CONCRETE AND 2" CLEAR FROM CULVERT PIPE.
- REINFORCEMENT BARS DESIGNATED (E) SHALL BE EPOXY COATED.
- PLAN DIMENSIONS AND DETAILS RELATIVE TO EXISTING PLANS ARE SUBJECT TO NOMINAL CONSTRUCTION VARIATIONS. THE CONTRACTOR SHALL FIELD VERIFY EXISTING DIMENSIONS AND DETAILS AFFECTING NEW CONSTRUCTION AND MAKE NECESSARY APPROVED ADJUSTMENTS PRIOR TO CONSTRUCTION OR ORDERING OF MATERIALS. SUCH VARIATIONS SHALL NOT BE CAUSE FOR ADDITIONAL COMPENSATION FOR A CHANGE IN SCOPE OF THE WORK. HOWEVER, THE CONTRACTOR WILL BE PAID FOR THE QUANTITY ACTUALLY FURNISHED AT THE UNIT PRICE BID FOR THE WORK.

10-05-2012, 15:14:59
 F:\DOC\EXP\CHI-00012584-02\COMMON\SET\TEMP\SET\T\160P35-SHT-CULV-DETAL_11.DGN
 BAJZEKJ
 TENG & ASSOCIATES, INC.
 ENGINEERS/ARCHITECTS/PLANNERS
 CHICAGO, ILLINOIS

FILE NAME =	USER NAME = *USER*	DESIGNED - TCG	REVISED -
FILEL		DRAWN - TCG	REVISED -
	PLOT SCALE = *SCALE*	CHECKED - TMH	REVISED -
	PLOT DATE = *DATE*	DATE - 10/19/12	REVISED -

STATE OF ILLINOIS
DEPARTMENT OF TRANSPORTATION

PROPOSED CULVERT UNDER CNRR
EAST HEADWALL DETAILS

SCALE: 1/2"=1'-0" SHEET NO. OF SHEETS STA. TO STA.

F.A. RTE.	SECTION	COUNTY	TOTAL SHEETS	SHEET NO.
	0105-WRS	COOK	537	330
CONTRACT NO. 60P35			ILLINOIS FED. AID PROJECT	

CLV-03