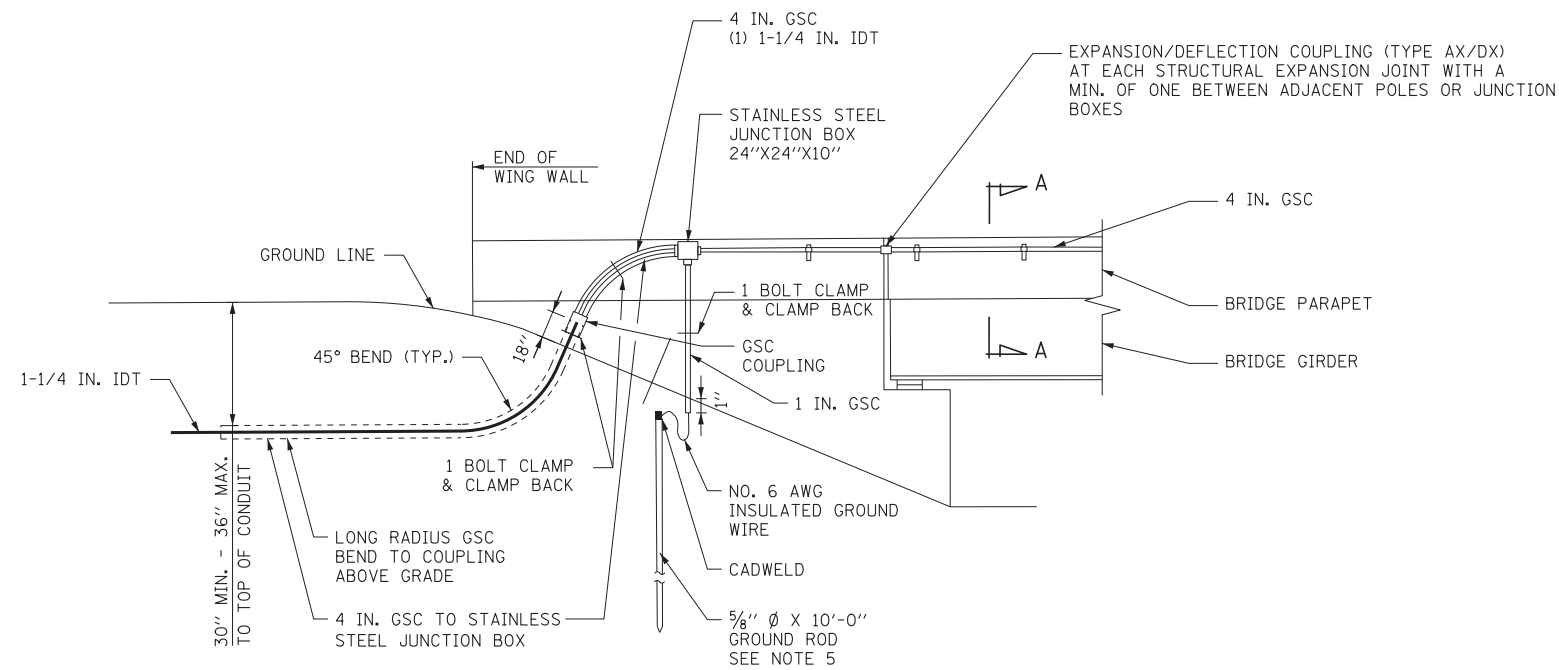


SECTION A-A
NOT TO SCALE

NOTES:

1. UNISTRUT #P2558-20 PIPE SUPPORT (HOT DIPPED GALVANIZED AFTER FABRICATION), MINIMUM SIZE EQUAL TO PIPE DIAMETER. MOUNT TO CHANNEL WITH TWO 3/8" STAINLESS STEEL CLAMPING NUTS, HEX HEAD CAP SCREW & LOCK WASHER, MOUNTED ON 5 FOOT CENTERS.
2. ALLIED #P.S.200EH STEEL CHANNEL (HOT DIPPED GALVANIZED AFTER FABRICATION), 10" LONG MOUNTED EXTERNALLY ON BRIDGE PARAPET. INSTALL ON 5'-0" CENTERS. ATTACH TO BRIDGE PARAPET WITH 1/2" DIAMETER EXPANSION ANCHORS, MINIMUM 2" LONG EXPANSION ANCHOR SHALL BE HOT DIPPED GALVANIZED AFTER FABRICATION AND SHALL BE MADE BY PARABOLT, KWICK-BOLT OR WEJ-IT.
3. WEEPHOLES SHALL BE PROVIDED AT APPROPRIATE LOCATIONS TO DRAIN ANY MOISTURE IN THE CONDUIT SYSTEM.
4. LOCATE REINFORCEMENT IN SAFETY BARRIER CURB WITH A PACHOMETER AND EXERCISE EXTREME CAUTION DURING THE INSTALLATION OF THE ANCHOR SYSTEM.
5. MATERIAL AND INSTALLATION FOR THE GROUND ROD SHALL BE INCLUDED WITH THE JUNCTION BOX ATTACHED TO STRUCTURE.



TYPICAL WINGWALL CONDUIT TRANSITION
NOT TO SCALE



USER NAME = mkosir	DESIGNED DJJ	REVISED -
	DRAWN BCC	REVISED -
PLOT SCALE = 50:1	CHECKED YJ	REVISED -
PLOT DATE = 08-OCT-2012	DATE 10/19/12	REVISED -

STATE OF ILLINOIS
DEPARTMENT OF TRANSPORTATION

CONDUIT ATTACHED TO STRUCTURE
DETAIL

SCALE: N.T.S. SHEET NO. 1 OF 3 SHEETS STA. TO STA.

F.A.P. RTE.	SECTION	COUNTY	TOTAL SHEETS	SHEET NO.
330	0105-WRS	COOK	537	366
CONTRACT NO. 60P35				
ILLINOIS FED. AID PROJECT				

ITS-17