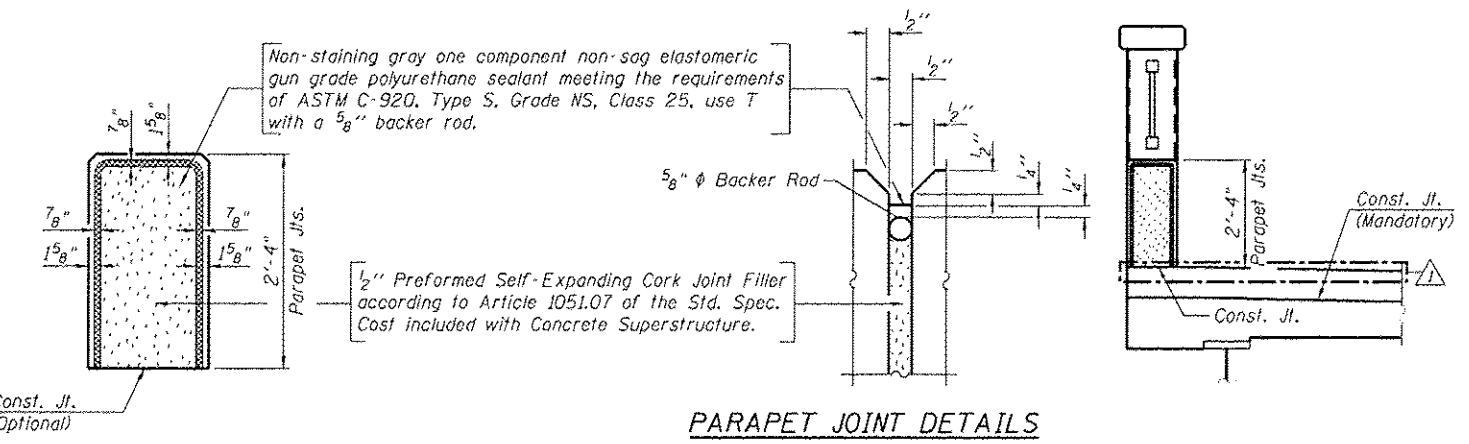
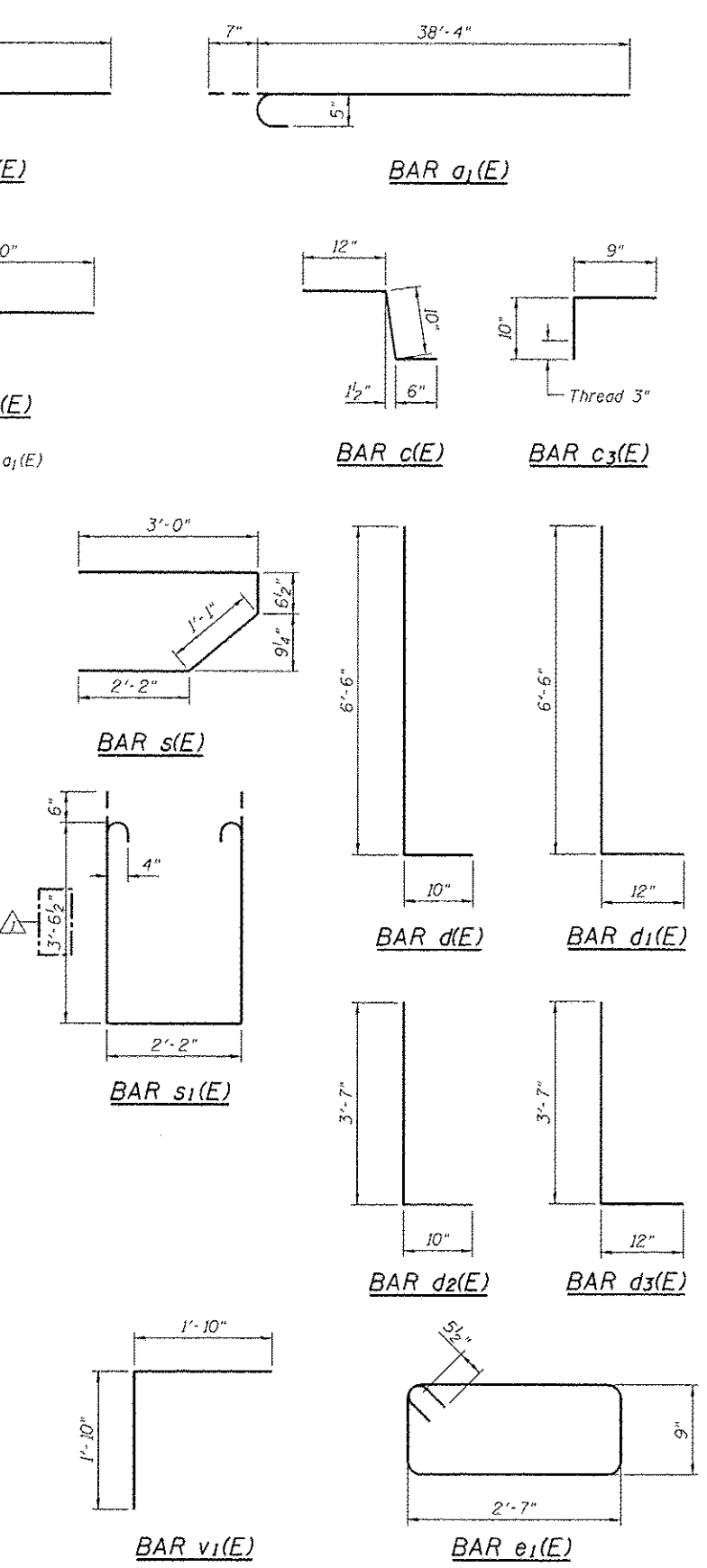
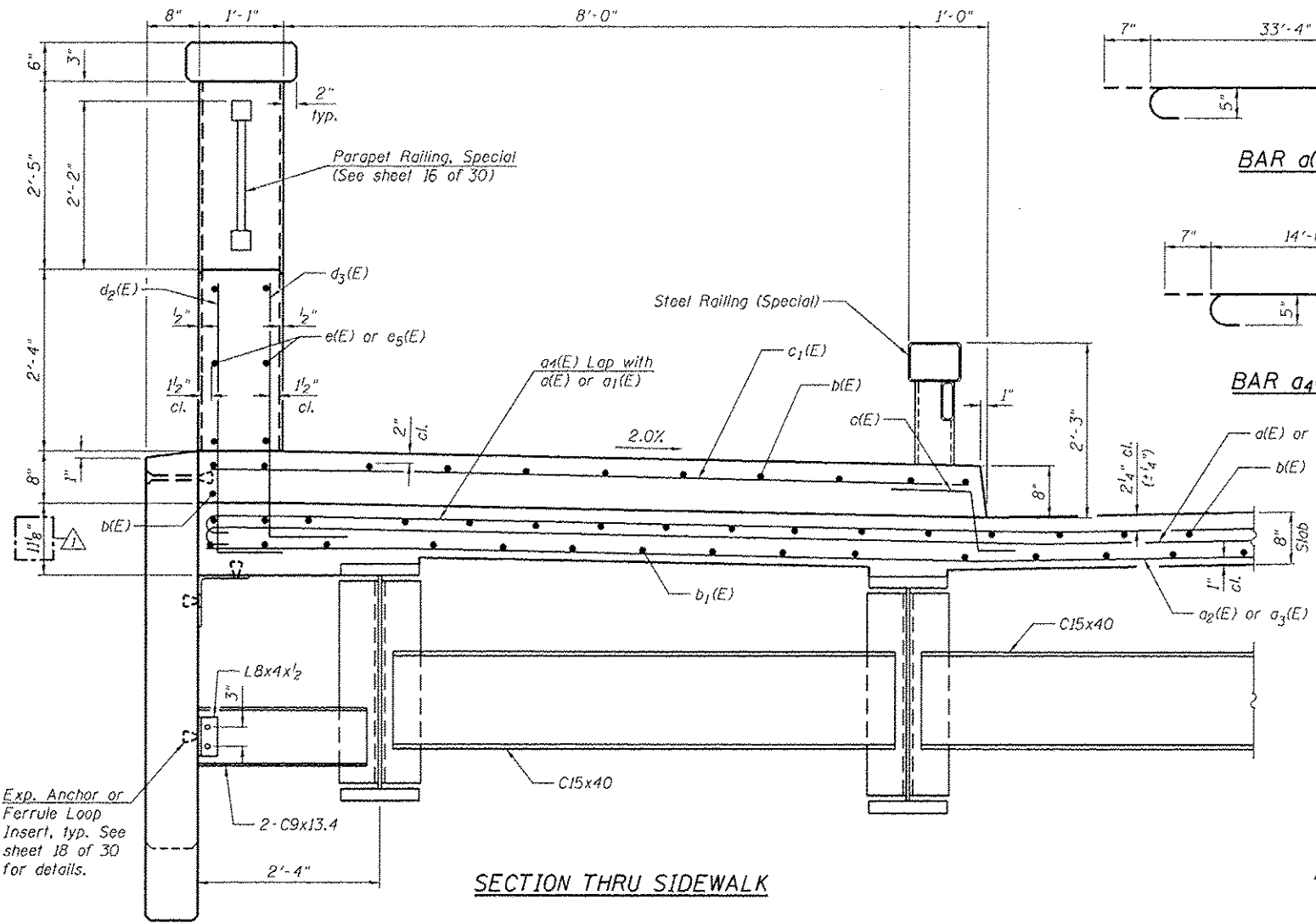


**SUPERSTRUCTURE
BILL OF MATERIAL**

Bar	No.	Size	Length	Shape
a(E)	170	#5	33'-11"	U
a ₁ (E)	170	#5	38'-11"	U
a ₂ (E)	103	#5	33'-4"	U
a ₃ (E)	103	#5	38'-4"	U
a ₄ (E)	340	#5	14'-7"	U
b(E)	432	#5	23'-6"	—
b ₁ (E)	231	#5	30'-3"	—
c(E)	172	#5	2'-4"	L
c ₁ (E)	172	#5	9'-9"	—
c ₂ (E)	86	#5	7'-7"	—
c ₃ (E)	172	#5	1'-7"	L
d(E)	72	#5	7'-4"	L
d ₁ (E)	72	#6	7'-6"	L
d ₂ (E)	128	#5	4'-5"	L
d ₃ (E)	128	#6	4'-7"	L
e(E)	84	#5	9'-11"	—
e ₁ (E)	72	#5	7'-7"	—
e ₅ (E)	12	#5	12'-9"	—
m(E)	10	#6	33'-3"	—
m ₁ (E)	10	#6	38'-3"	—
m ₂ (E)	32	#6	10'-7"	—
m ₃ (E)	16	#6	6'-5"	—
m ₄ (E)	4	#6	2'-0"	—
m ₅ (E)	8	#6	7'-6"	—
m ₆ (E)	4	#6	7'-8"	—
m ₇ (E)	4	#6	9'-5"	—
m ₈ (E)	2	#6	3'-11"	—
s(E)	154	#5	6'-10"	U
s ₁ (E)	136	#4	10'-3"	U
v ₁ (E)	150	#5	3'-8"	L
Concrete Superstructure			Cu. Yd.	295.1
Bridge Deck Grooving			Sq. Yd.	413
Form Liner Textured Surface			Sq. Ft.	1130
Protective Coat			Sq. Yd.	770
Reinforcement Bars, Epoxy Coated			Pound	55,780
Parapet Railing, Special			Foot	118

MINIMUM BAR LAP
#5 bar = 3'-3"

Note:
For parapet joint locations,
see sheet 16 of 30.



12/21/2012 10:37:35 AM - G:\CHINA\BSP\Bridges\CADD\Sheets\0162844-D60T35-SUPDET1.dgn



USER NAME = jrmakaw	DESIGNED - JRM	REVISED - 12/19/2012 JRM
PLOT SCALE = 2/8" = 1'-0"	CHECKED - MDS	REVISER -
PLOT DATE = 12/31/2012	DRAWN - DMG	REVISER -
	CHECKED - MDS	REVISER -

**STATE OF ILLINOIS
DEPARTMENT OF TRANSPORTATION**

**SUPERSTRUCTURE DETAILS
STRUCTURE NO. 016-2844**
SHEET NO. 11 OF 30 SHEETS

F.A.P. RTE. 0305	SECTION 11920.01, 1518, 2022&1922.4B(R)	COUNTY COOK	TOTAL SHEETS 919	SHEET NO. 461
CONTRACT NO. 60T35			ILLINOIS FED. AID PROJECT	