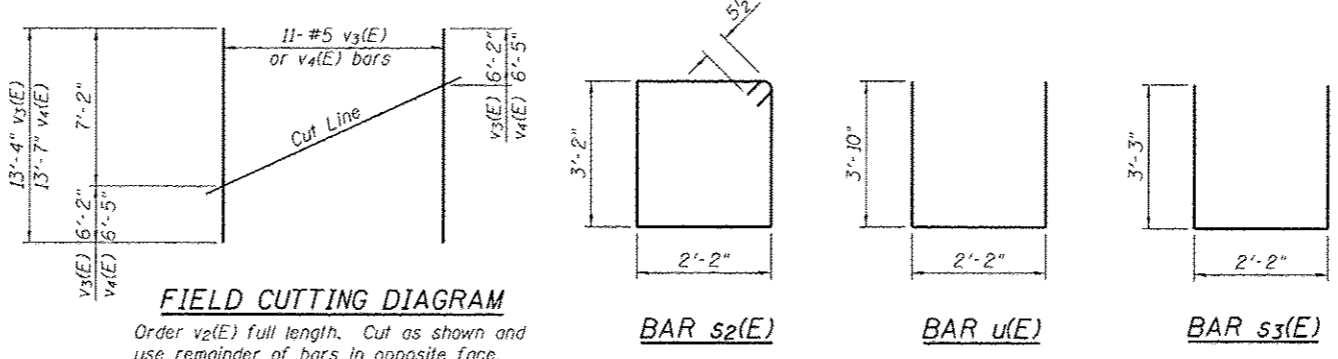


**PILE DATA**  
(See 3rd note on Sheet 3 of 30)  
Type: Metal Shell-14 in. dia. x 0.312 in. walls with Pile Shoes  
Nominal Required Bearing: 516 kips  
Factored Resistance Available: 284 kips  
Est. Length: 61'  
No. Production Piles: 15  
No. Test Piles: 1



**BILL OF MATERIAL**

Bar	No.	Size	Length	Shape
h <sub>3</sub> (E)	32	#5	13'-1"	—
p <sub>2</sub> (E)	4	#5	14'-0"	—
p <sub>3</sub> (E)	4	#5	19'-0"	—
p <sub>4</sub> (E)	12	#8	37'-5"	—
p <sub>5</sub> (E)	12	#8	39'-8"	—
s <sub>2</sub> (E)	74	#5	11'-7"	□
s <sub>3</sub> (E)	35	#5	8'-8"	□
v(E)	152	#5	4'-4"	—
v <sub>3</sub> (E)	11	#5	13'-4"	—
v <sub>4</sub> (E)	11	#5	13'-7"	—
u(E)	8	#6	9'-8"	□
Structure Excavation		Cu. Yd.	276	
Concrete Structures		Cu. Yd.	31.5	
Reinforcement Bars, Epoxy Coated		Pound	5,370	
Furnishing Metal Shell Piles 14" x 0.312"		Foot	915	
Driving Piles		Foot	915	
Test Pile Metal Shells		Each	1	
Pile Shoes		Each	16	

Notes:  
Pour steps monolithically with cap.  
For details of Bar Splicers, see sheet 25 of 30.  
For details of piles, see sheet 24 of 30.

12/19/2012 4:27:40 PM - G:\CHINA\SSA\B71\pdm\CAD\3\Sheet\3\22-E-ABUT.dwg