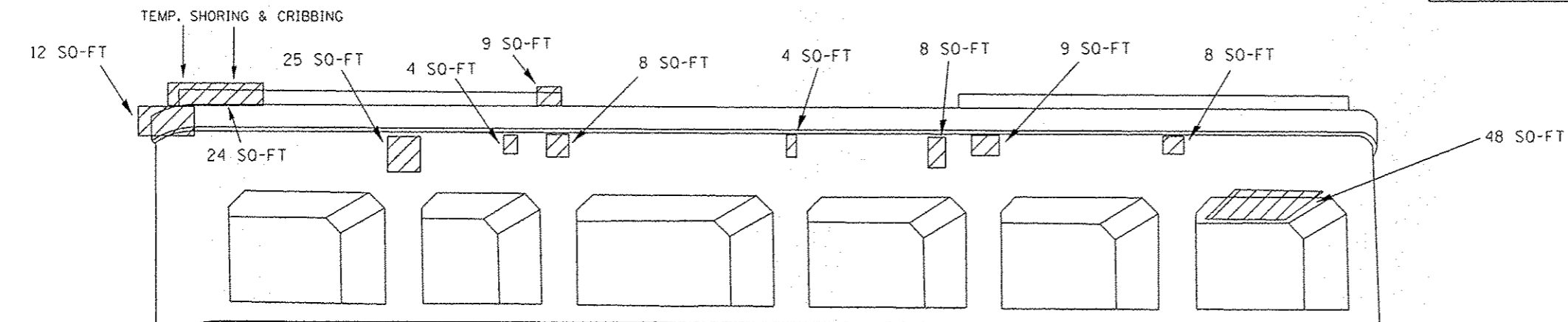



Pier No.2
WEST ELEVATION
(Looking East)

Pier No.2
BILL OF MATERIALS

ITEM	UNIT	QUANTITY
STRUCTURAL REPAIR OF CONCRETE \leq 5"	SQ. FT	300



Pier No.2
EAST ELEVATION
(Looking West)

 STRUCTURAL REPAIR OF CONCRETE \leq 5"

THE TEMPORARY SHORING AND CRIBBING(2-EACH) SHALL BE INCLUDED IN THE COST OF JACK AND REMOVE EXISTING BEARING. THE SUBSTRUCTURE REPAIRS SHALL BE COMPLETE PRIOR TO REMOVING THE BEARING.

FILE NAME	USER NAME	DESIGNED	REVISED	STATE OF ILLINOIS DEPARTMENT OF TRANSPORTATION	US 14 (PETERSON AVE) OVER NORTH SHORE CHANNEL SUBSTRUCTURE REPAIR PIER 2	F.A.P. RTE.	SECTION	COUNTY	TOTAL SHEETS	SHEET NO.	
c:\pwwork\pawidat\parkinsju\d0313377\014	612-Design.dgn	DRAWN	REVISED			341	608-1-BR(12)	COOK	11	7	
#MODELNAME#	PLOT SCALE	CHECKED	REVISED			SCALE:	SHEET 4	OF 7	SHEETS	STA.	TO STA.
	PLOT DATE	DATE	REVISED								

CONTRACT NO. 60167
ILLINOIS FED. AID PROJECT