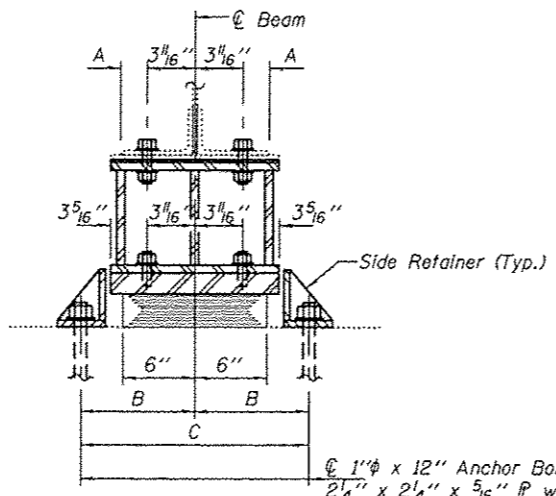


**ELEVATION**

**TYPE I ELASTOMERIC EXP. BRG.**  
(Pier 2, Span 2)

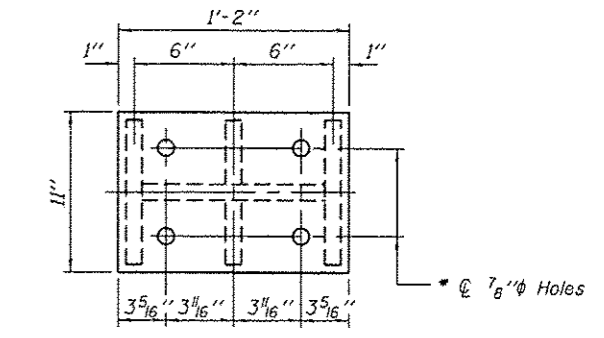


**SECTION A-A**

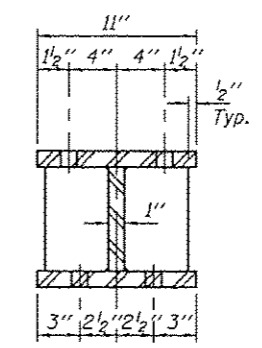
**BEAM REACTIONS**

R $\varnothing$	(K)	25.9
R $\downarrow$	(K)	26.4
Imp.	(K)	7.2
R (Total)	(K)	59.5

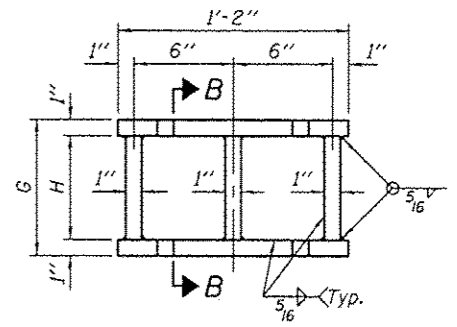
**Notes:**  
 Diaphragm removal and reinstallation may be required to facilitate drilling holes. Cost included with Furnishing and Erecting Structural Steel.  
 New steel extensions, shim plates and connection bolts are included with Furnishing and Erecting Structural Steel.  
 Prior to ordering any material, the Contractor shall verify in the field all bearing height and shim thickness dimensions. Min. jack capacity = 35 Tons.  
 Anchor bolts shall be ASTM F1554 all-thread (or an Engineer-approved alternate material) of the grade(s) and diameter(s) specified. ASTM A307 Grade C anchor bolts may be used in lieu of ASTM F1554 Grade 36 (Fy=36ksi). The corresponding specified grade of AASHTO M314 anchor bolts may be used in lieu of ASTM F1554.  
 Drilled and set anchor bolts shall be installed according to Article 521.06 of the Standard Specifications.  
 Side retainers shall be included in the cost of Elastomeric Bearing Assembly, Type I.



**PLAN TOP AND BOTTOM PLATE**

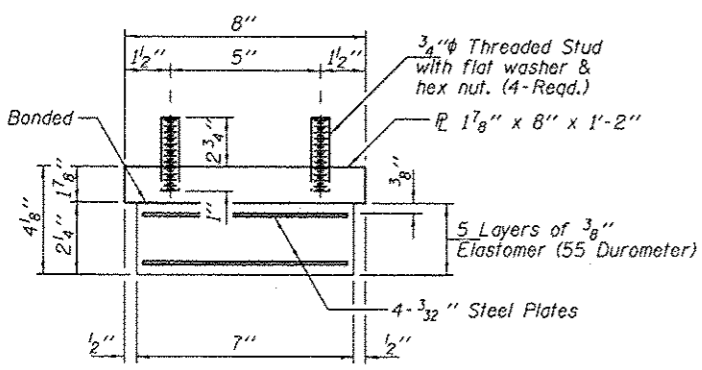


**SECTION B-B**



**STEEL EXTENSION DETAIL**

\* Use holes in existing flange of beams 7, 8A, 8B & 9 as template for drilling holes in top extension plate.  
 Field drill holes in beams 2 thru 6 & 10 thru 14 using holes in top plate as template.

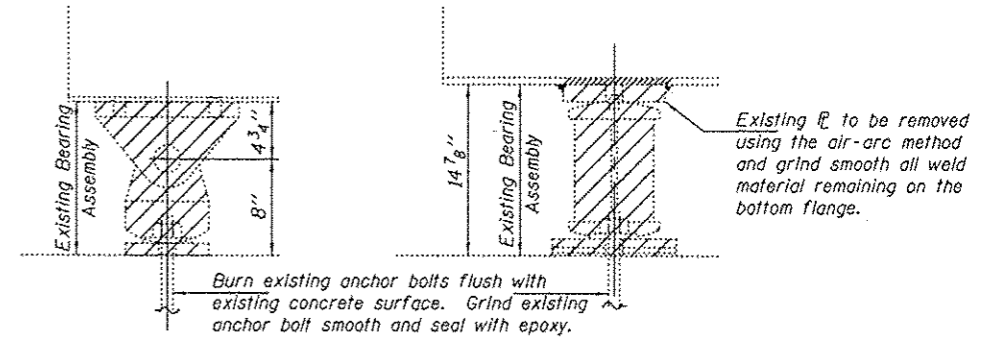


**BEARING ASSEMBLY**

**Note:**  
 Shim plates shall not be placed under Bearing Assembly.

**BEARING DIMENSIONS**

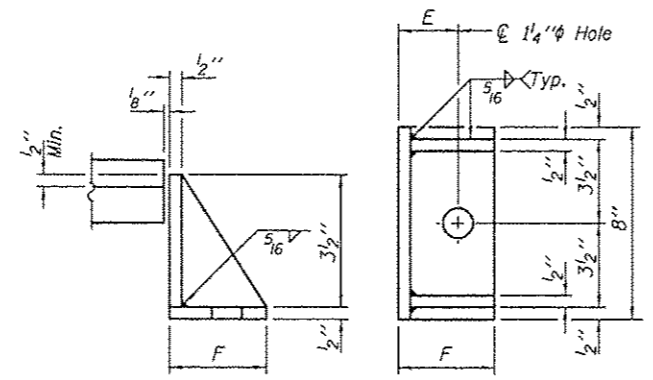
MARK	BEAMS 2 THRU 6 & 10 THRU 14	BEAMS 7, 8A, 8B & 9
A	2 1/2"	2 3/8"
B	10 3/4"	11"
C	1'-9 1/2"	1'-10"
D	3 1/2"	1 3/8"
E	3 5/8"	3 7/8"
F	5 1/2"	5 3/4"
G	8 5/8"	10 3/4"
H	6 5/8"	8 3/4"



**BEAMS 2 THRU 6 & 10 THRU 14 BEAMS 7, 8A, 8B & 9**

**EXISTING BEARING REMOVAL DETAIL**

Cost included with Jack and Remove Existing Bearings.



**SIDE RETAINER**

Equivalent rolled angle with stiffeners will be allowed in lieu of welded plates.

**BILL OF MATERIAL**

Item	Unit	Total
Elastomeric Bearing Assembly, Type I	Each	14
Jack and Remove Existing Bearings	Each	14
Furnishing and Erecting Structural Steel	Pound	2310
Anchor Bolts 1" $\varnothing$	Each	28

TYI/REPS 12-03-2008