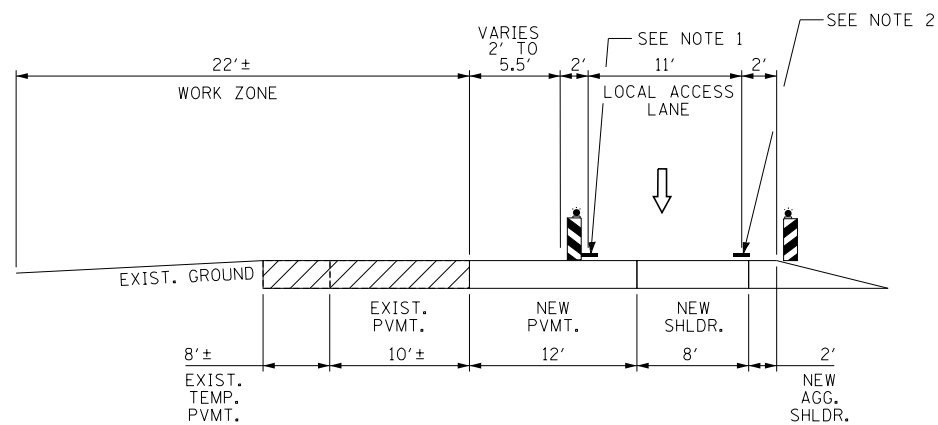
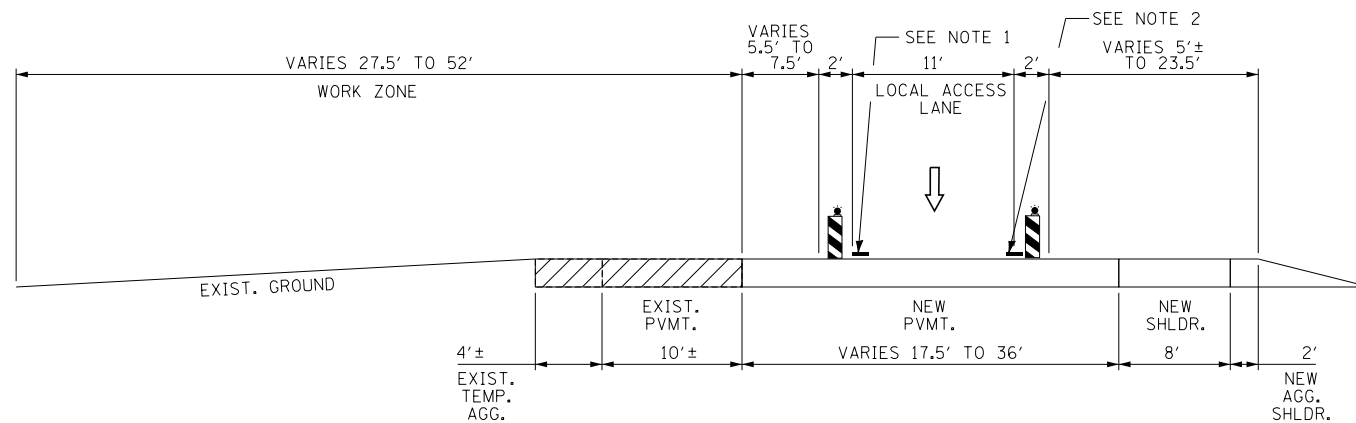


G-G
STAGE 2A - STUENKEL ROAD
STA. 15956+43 TO STA. 15982+40



H-H
STAGE 2A - STUENKEL ROAD
STA. 15982+40 TO STA. 15990+00



I-I
STAGE 2A - STUENKEL ROAD
STA. 15990+00 TO STA. 16002+00

- NOTE 1 - PAVEMENT MARKING TAPE, TYPE III 4" LINE (WHITE)
- NOTE 2 - PAVEMENT MARKING TAPE, TYPE III 4" LINE (YELLOW)

LEGEND:

- TRAFFIC MOVEMENT
 - VERTICAL PANEL (POST MOUNTED)
 - VERTICAL BARRICADE WITH MONO-DIRECTIONAL STEADY BURNING LIGHT
 - PAVEMENT MARKING TAPE, TYPE III (SEE PLANS FOR LINE COLOR)
 - PAVEMENT REMOVAL / WORK ZONE AREA
 - TEMPORARY PAVEMENT / TEMPORARY AGGREGATE
- * ALL MOT TYPICAL SECTIONS ARE DRAWN IN THE DIRECTION OF THE ALIGNMENT

TYLIN INTERNATIONAL

USER NAME =	DESIGNED - JDF	REVISED -
PLOT SCALE =	DRAWN - JDF	REVISED -
PLOT DATE =	CHECKED - JPM	REVISED -
	DATE - 9/19/2012	REVISED - 11/2/2012

STATE OF ILLINOIS
DEPARTMENT OF TRANSPORTATION

STUENKEL ROAD AT I-57 (HARLEM AVENUE TO RIDGELAND AVENUE)
MOT TYPICAL SECTIONS

SCALE: NTS SHEET 2 OF 2 SHEETS STA. TO STA.

F.A.I. RTE.	SECTION	COUNTY	TOTAL SHEETS	SHEET NO.
57	2012-048R	WILL	206	44
CONTRACT NO. 60V41			ILLINOIS FED. AID PROJECT	