

SUMMARY OF QUANTITIES				CONSTRUCTION TYPE CODE				SUMMARY OF QUANTITIES				CONSTRUCTION TYPE CODE				
CODE NO	ITEM	UNIT	100-1 STATE TOTAL QUANTITIES	0005				CODE NO	ITEM	UNIT	100-1 STATE TOTAL QUANTITIES	0005				
21101615	TOPSOIL FURNISH AND PLACE, 4"	SO YD	19	19				44201771	CLASS D PATCHES, TYPE IV, 10 INCH	SO YD	167	167				
25200110	SODDING, SALT TOLERANT	SO YD	19	19				48102100	AGGREGATE WEDGE SHOULDER, TYPE B	TON	671	671				
40600200	BITUMINOUS MATERIALS (PRIME COAT)	TON	45	45				60300105	FRAMES AND GRATES TO BE ADJUSTED	EACH	3	3				
40600300	AGGREGATE (PRIME COAT)	TON	222	222				67000400	ENGINEER'S FIELD OFFICE, TYPE A	CAL MO	3	3				
40600400	MIXTURE FOR CRACKS, JOINTS, AND FLANGEWAYS	TON	84	84				67100100	MOBILIZATION	L SUM	1	1				
40600827	POLYMERIZED LEVELING BINDER (MACHINE METHOD), IL-4.75, N50	TON	3875	3875				70102625	TRAFFIC CONTROL AND PROTECTION, STANDARD 701606	L SUM	1	1				
40600895	CONSTRUCTING TEST STRIP	EACH	2	2				70102630	TRAFFIC CONTROL AND PROTECTION, STANDARD 701601	L SUM	1	1				
40600985	PORTLAND CEMENT CONCRETE SURFACE REMOVAL - BUTT JOINT	SO YD	1538	1538				70102635	TRAFFIC CONTROL AND PROTECTION, STANDARD 701701	L SUM	1	1				
40603340	HOT-MIX ASPHALT SURFACE COURSE, MIX "D", N70	TON	5918	5918				70300100	SHORT TERM PAVEMENT MARKING	FOOT	2391	2391				
42001300	PROTECTIVE COAT	SO YD	22	22				70300210	TEMPORARY PAVEMENT MARKING LETTERS AND SYMBOLS	SO FT	292	292				
44000159	HOT-MIX ASPHALT SURFACE REMOVAL, 2 1/2"	SO YD	14988	14988				70300220	TEMPORARY PAVEMENT MARKING - LINE 4"	FOOT	38981	38981				
44022029	PARTIAL DEPTH REMOVAL 3"	SO YD	5998	5998				70300240	TEMPORARY PAVEMENT MARKING - LINE 6"	FOOT	1038	1038				
44201765	CLASS D PATCHES, TYPE II, 10 INCH	SO YD	416	416				70300260	TEMPORARY PAVEMENT MARKING - LINE 12"	FOOT	1341	1341				
44201769	CLASS D PATCHES, TYPE III, 10 INCH	SO YD	250	250				70300280	TEMPORARY PAVEMENT MARKING - LINE 24"	FOOT	70	70				

URBAN

URBAN

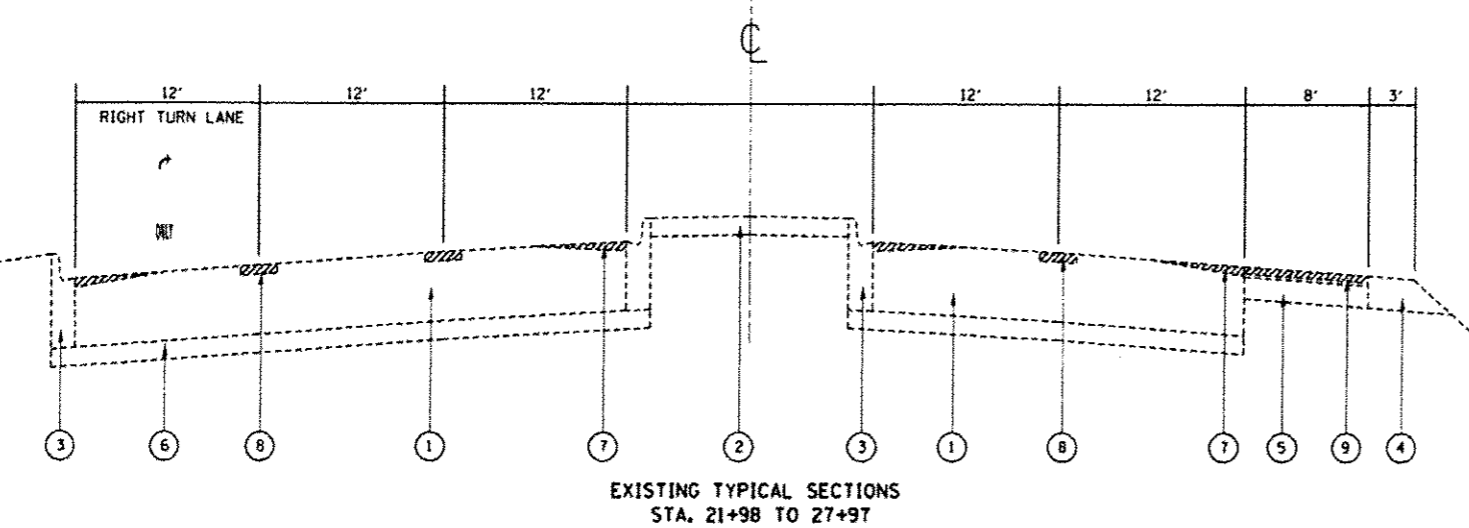
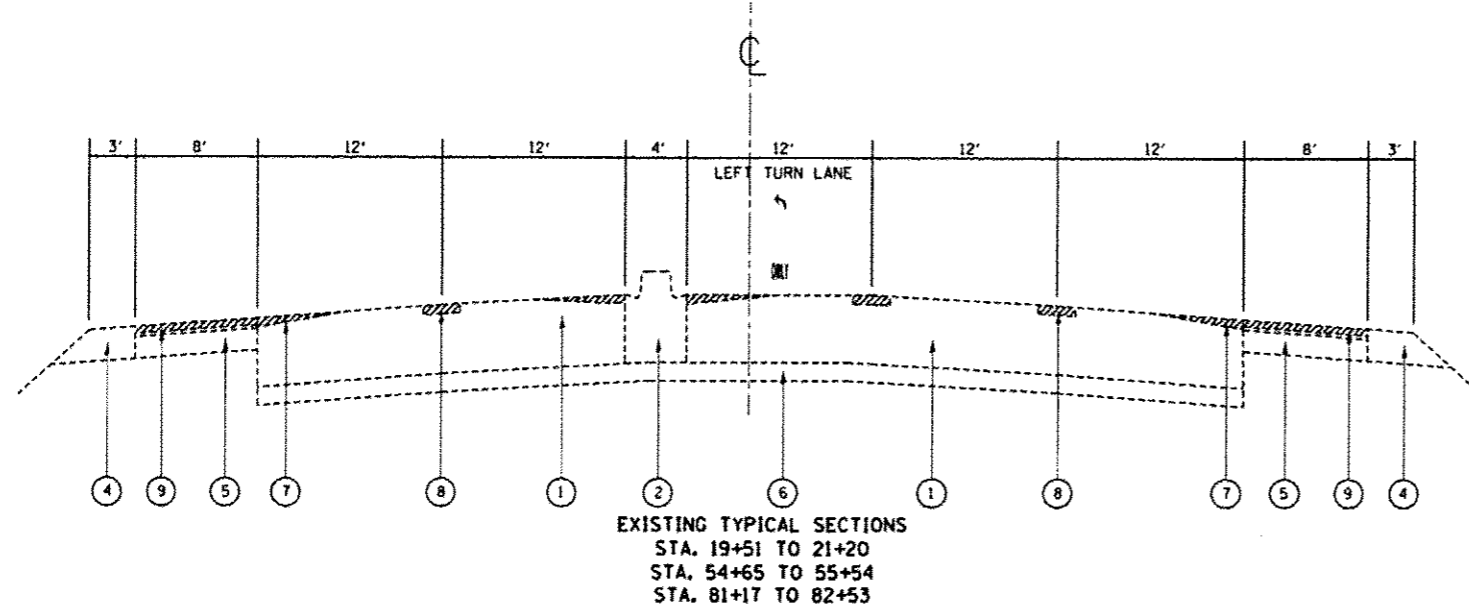
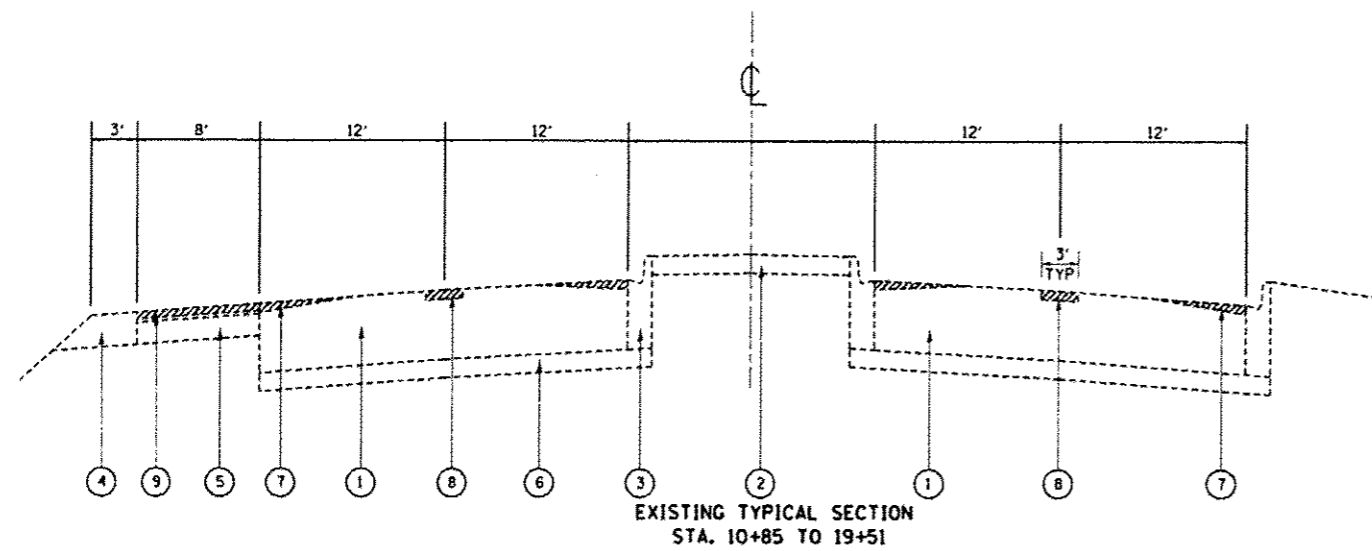
5998 5998

Rev. 1-9-13 SPECIALTY ITEMS

FILE NAME	USER NAME	DESIGNED	REVISIONS	STATE OF ILLINOIS DEPARTMENT OF TRANSPORTATION		SUMMARY OF QUANTITIES		F.A.P. RTE.	SECTION	COUNTY	TOTAL SHEETS	SHEET NO.
350	350	350	350			F.A.P. 350/ IL. 50 (CICERO AVE.)--STEEGER RD. TO GOVERNORS HWY.		350	(101W-EXT-RIRS)	WILL	31	3
SCALE:	SHEET NO.	OF	SHEETS	STA.	TO	STA.	TO	CONTRACT NO. 60V65				
FED. ROAD DIST. NO. 1 ILLINOIS FED. AID PROJECT												

SUMMARY OF QUANTITIES			URBAN 100% STATE TOTAL QUANTITIES		CONSTRUCTION TYPE CODE				
CODE NO	ITEM	UNIT							
70301000	WORK ZONE PAVEMENT MARKING REMOVAL	SQ FT	15480	15480					
*78000100	THERMOPLASTIC PAVEMENT MARKING - LETTERS AND SYMBOLS	SQ FT	292	292					
*78000200	THERMOPLASTIC PAVEMENT MARKING - LINE 4"	FOOT	38981	38981					
*78000400	THERMOPLASTIC PAVEMENT MARKING - LINE 6"	FOOT	1038	1038					
*78000600	THERMOPLASTIC PAVEMENT MARKING - LINE 12"	FOOT	1341	1341					
*78000650	THERMOPLASTIC PAVEMENT MARKING - LINE 24"	FOOT	70	70					
*78100100	RAISED REFLECTIVE PAVEMENT MARKER	EACH	909	909					
78300200	RAISED REFLECTIVE PAVEMENT MARKER REMOVAL	EACH	818	818					
*85000200	MAINTENANCE OF EXISTING TRAFFIC SIGNAL INSTALLATION	EACH	1	1					
*87301305	ELECTRIC CABLE IN CONDUIT, LEAD-IN, NO. 14 1 PAIR	FOOT	880	880					
*87900200	DRILL EXISTING HANDHOLE	EACH	4	4					
*88500100	INDUCTIVE LOOP DETECTOR	EACH	3	3					

SUMMARY OF QUANTITIES			URBAN 100% STATE TOTAL QUANTITIES		CONSTRUCTION TYPE CODE				
CODE NO	ITEM	UNIT							
*88600100	DETECTOR LOOP, TYPE I	FOOT	220	220					
*89502300	REMOVE ELECTRIC CABLE FROM CONDUIT	FOOT	770	770					
*X0324599	ROD AND CLEAN EXISTING CONDUIT	FOOT	700	700					
X2020110	GRADING AND SHAPING SHOULDERS	UNIT	168	168					
X4400100	PORTLAND CEMENT CONCRETE SURFACE REMOVAL (VARIABLE DEPTH)	SO YD	22954	22954					
X4421000	PARTIAL DEPTH PATCHING	TON	1008	1008					
Z0004562	COMBINATION CONCRETE CURB AND GUTTER REMOVAL AND REPLACEMENT	FOOT	113	113					
Z0030850	TEMPORARY INFORMATION SIGNING	SO FT	51.4	51.4					



LEGEND:

- ① EXIST. P.C.C. PAVEMENT, ±10"
 - ② EXIST. CONCRETE BARRIER MEDIAN
 - ③ EXIST. COMBINATION CONCRETE CURB AND GUTTER, TYPE B-6.12
 - ④ EXIST. AGGREGATE SHOULDER
 - ⑤ EXIST. HOT-MIX ASPHALT SHOULDER
 - ⑥ EXIST. STABILIZED SUB-BASE
 - ⑦ PROP. P.C.C. SURFACE REMOVAL (VARIABLE DEPTH)
 - ⑧ PROP. PARTIAL DEPTH REMOVAL, 3"
 - ⑨ PROP. HOT-MIX ASPHALT SURFACE REMOVAL, 2 1/2"
 - ⑩ PROP. POLYMERIZED LEVELING BINDER (MACHINE METHOD), IL-4.75, N50, 1"
 - ⑪ PROP. HOT-MIX ASPHALT SURFACE COURSE, MIX "D", N70, 1 1/2"
 - ⑫ PROP. PARTIAL DEPTH PATCHING
 - ⑬ PROP. GRADING AND SHAPING SHOULDERS
 - ⑭ PROP. AGGREGATE WEDGE SHOULDER, TYPE B
- R CURB AND GUTTER REMOVAL AND REPLACEMENT (AS DIRECTED BY THE ENGINEER)

MIXTURE REQUIREMENTS

MIXTURE TYPE	AIR VOIDS @ Ndes
PATCHING	
CLASS "D" PATCHES (HMA BINDER COURSE, IL-19MM)	4% @ 70
PARTIAL DEPTH PATCHING (HMA BINDER COURSE, IL-19MM)	4% @ 70
PAVEMENT RESURFACING	
HOT-MIX ASPHALT SURFACE COURSE, MIX "D", N70, (IL 9.5MM)	4% @ 70
POLYMERIZED LEVELING BINDER (MACHINE METHOD), IL-4.75, N50	3.5% @ 50

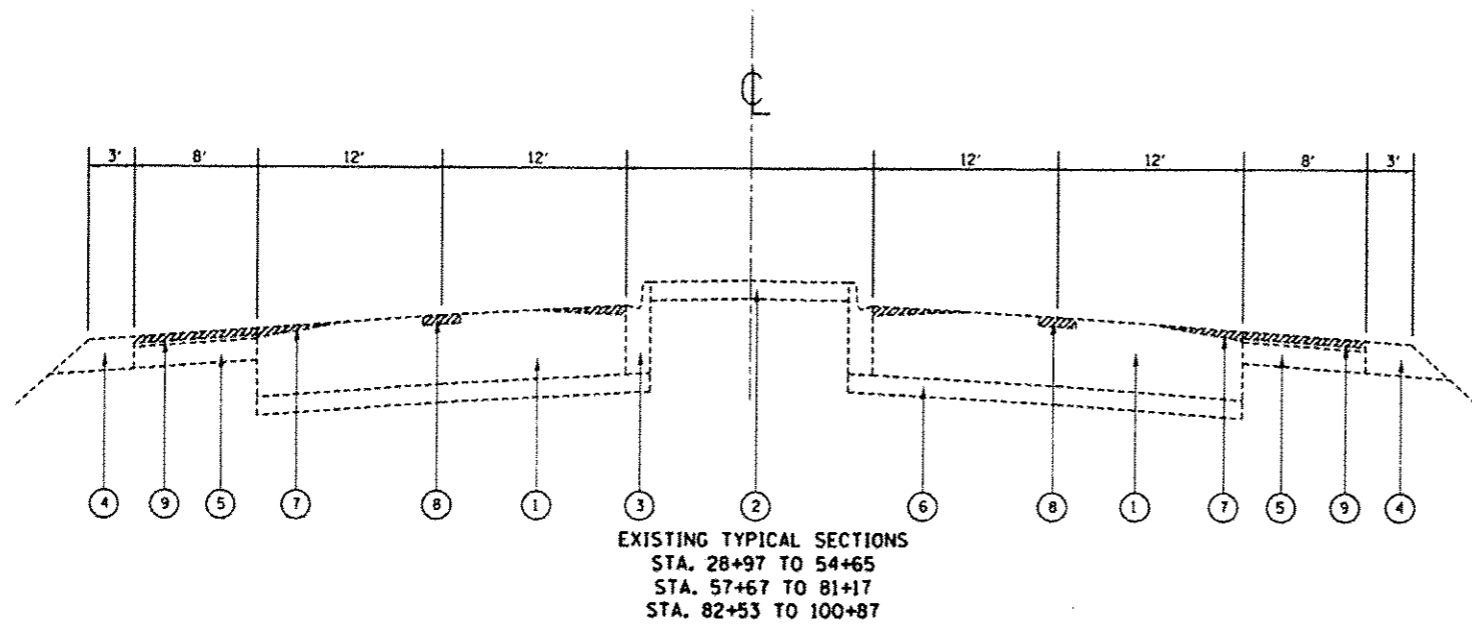
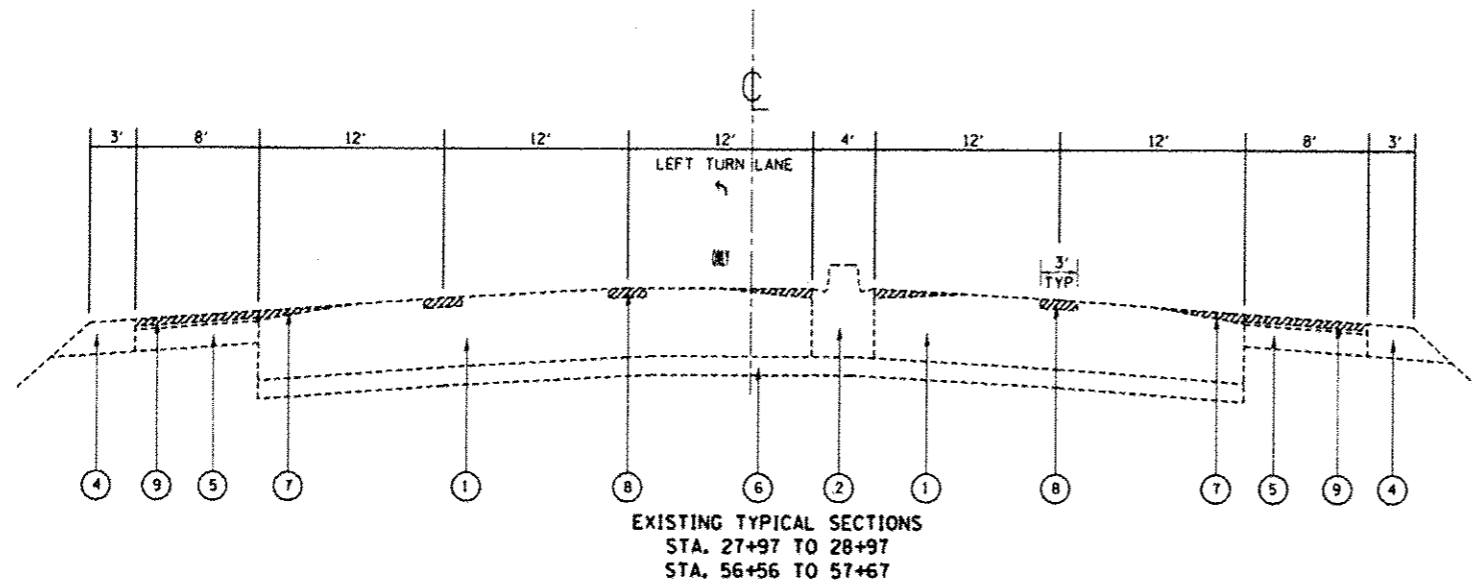
NOTES:

THE UNIT WEIGHT USED TO CALCULATE ALL HOT-MIX ASPHALT QUANTITIES IS 112 LBS./SQ. YD./ IN.

THE "AC TYPE" FOR POLYMERIZED HMA MIXES SHALL BE "SBS/SBR PG 76 -22" AND FOR NON-POLYMERIZED HMA THE "AC TYPE" SHALL BE "PG 64 -22" UNLESS MODIFIED BY DISTRICT ONE SPECIAL PROVISIONS. FOR USE OF RECYCLED MATERIALS SEE DISTRICT ONE SPECIAL PROVISIONS.

THE PATCHING SHALL BE DONE PRIOR TO THE HOT-MIX ASPHALT OVERLAY

Rev. Sheet 1-9-13

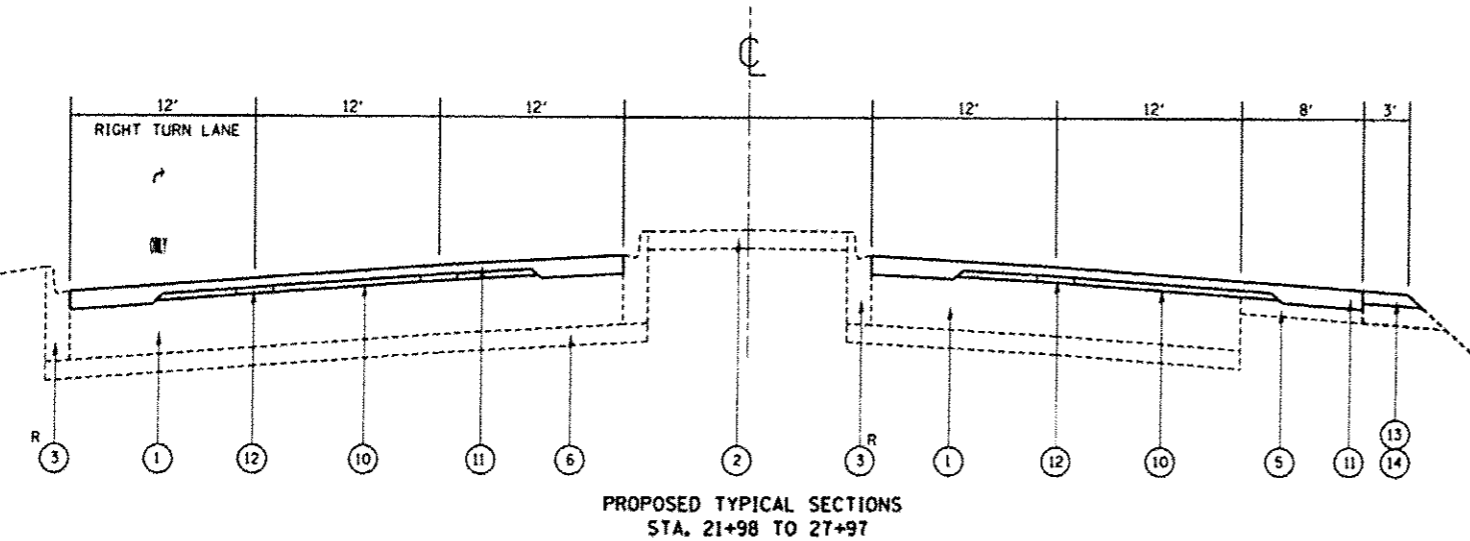
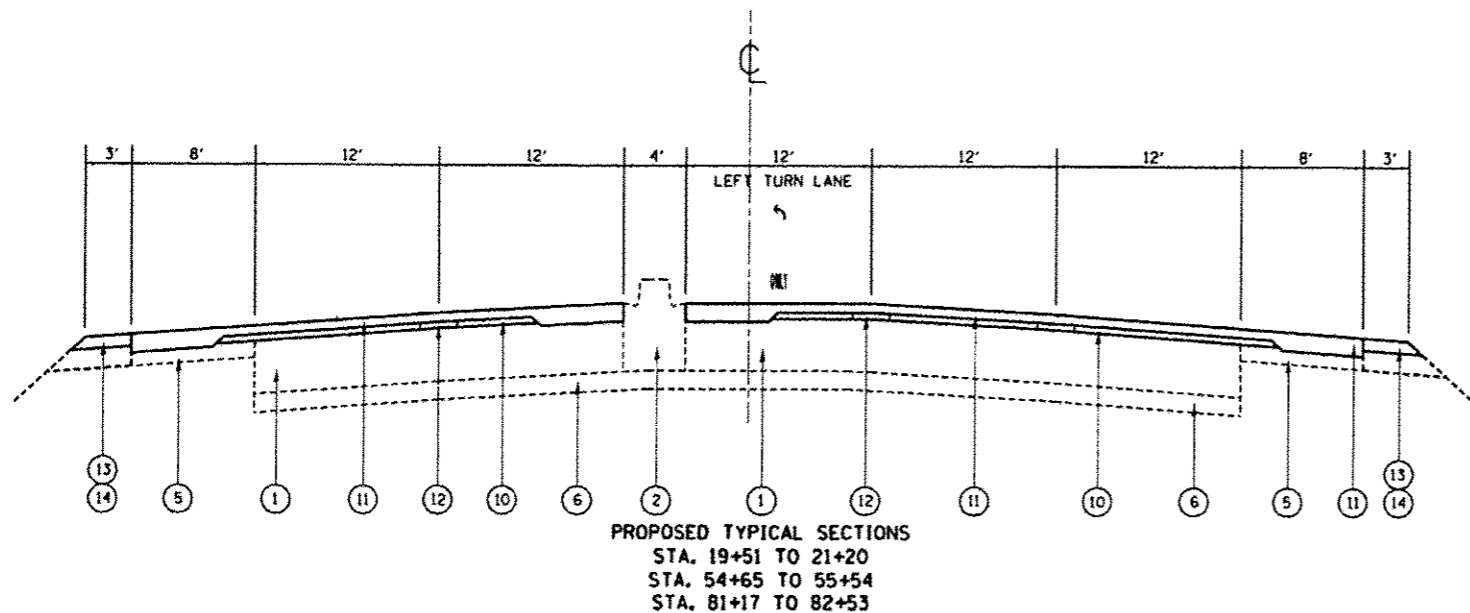
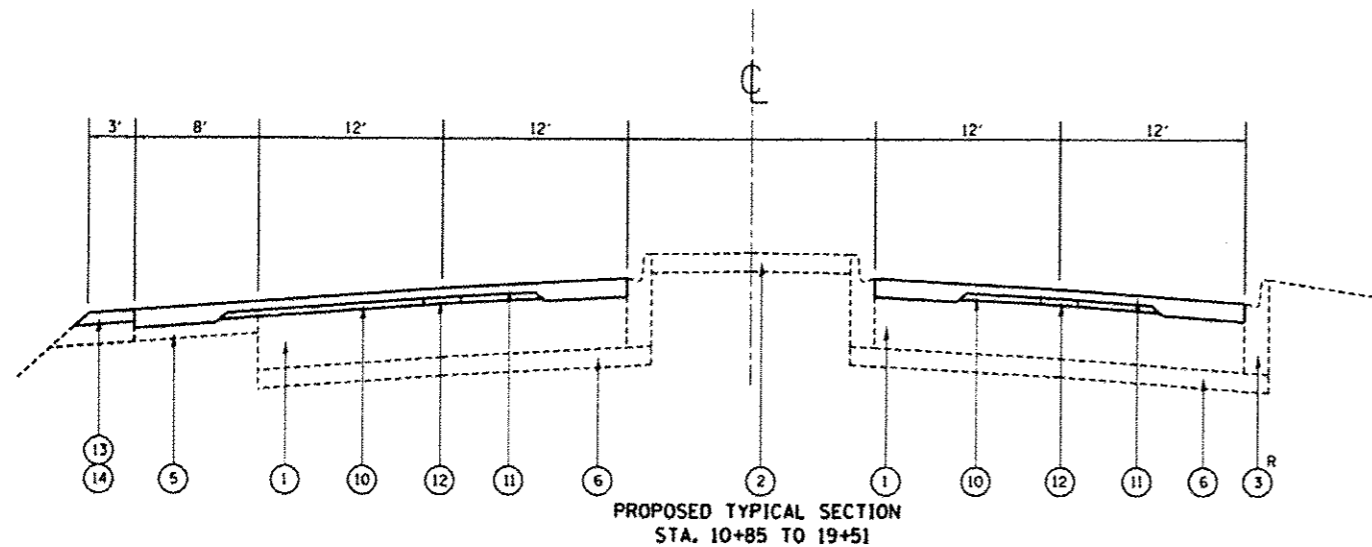


LEGEND:

- ① EXIST. P.C.C. PAVEMENT, ±10"
- ② EXIST. CONCRETE BARRIER MEDIAN
- ③ EXIST. COMBINATION CONCRETE CURB AND GUTTER, TYPE B-6.12
- ④ EXIST. AGGREGATE SHOULDER
- ⑤ EXIST. HOT-MIX ASPHALT SHOULDER
- ⑥ EXIST. STABILIZED SUB-BASE
- ⑦ PROP. P.C.C. SURFACE REMOVAL (VARIABLE DEPTH)
- ⑧ PROP. PARTIAL DEPTH REMOVAL, 3"
- ⑨ PROP. HOT-MIX ASPHALT SURFACE REMOVAL, 2 1/2"
- ⑩ PROP. POLYMERIZED LEVELING BINDER (MACHINE METHOD), IL-4.75, N50, 1"
- ⑪ PROP. HOT-MIX ASPHALT SURFACE COURSE, MIX "D", N70, 1 1/2"
- ⑫ PROP. PARTIAL DEPTH PATCHING
- ⑬ PROP. GRADING AND SHAPING SHOULDERS
- ⑭ PROP. AGGREGATE WEDGE SHOULDER, TYPE B
- R CURB AND GUTTER REMOVAL AND REPLACEMENT (AS DIRECTED BY THE ENGINEER)

Rev. Sheet 1-9-13

FILE NAME c:\p\work\p1\dot\galbanj\d0315726\018	USER NAME galbanj	DESIGNED -	REVISED -	STATE OF ILLINOIS DEPARTMENT OF TRANSPORTATION	EXISTING TYPICAL CROSS SECTIONS F.A.P. 350/ IL. 50 ICICERO AVE.--STEGER RD. TO GOVERNORS HWY.	F.A.P. RTE. 350	SECTION 1101W-EXT-R/R/S	COUNTY WILL	TOTAL SHEETS 31	SHEET NO. 6
PLOT SCALE 100:0000 1" = 10'	PLOT DATE 1/9/2013	DRAWN -	REVISOR -	CHECKED -	DATE -	SCALE:	SHEET NO. OF SHEETS	STA. TO STA.	CONTRACT NO. 60V65 FED. ROAD DIST. NO. 1 ILLINOIS FED. AID PROJECT	



LEGEND:

- ① EXIST. P.C.C. PAVEMENT, ±10"
 - ② EXIST. CONCRETE BARRIER MEDIAN
 - ③ EXIST. COMBINATION CONCRETE CURB AND GUTTER, TYPE B-6.12
 - ④ EXIST. AGGREGATE SHOULDER
 - ⑤ EXIST. HOT-MIX ASPHALT SHOULDER
 - ⑥ EXIST. STABILIZED SUB-BASE
 - ⑦ PROP. P.C.C. SURFACE REMOVAL (VARIABLE DEPTH)
 - ⑧ PROP. PARTIAL DEPTH REMOVAL, 3"
 - ⑨ PROP. HOT-MIX ASPHALT SURFACE REMOVAL, 2 1/2"
 - ⑩ PROP. POLYMERIZED LEVELING BINDER (MACHINE METHOD), IL-4.75, N50, 1"
 - ⑪ PROP. HOT-MIX ASPHALT SURFACE COURSE, MIX "D", N70, 1 1/2"
 - ⑫ PROP. PARTIAL DEPTH PATCHING
 - ⑬ PROP. GRADING AND SHAPING SHOULDERS
 - ⑭ PROP. AGGREGATE WEDGE SHOULDER, TYPE B
- R CURB AND GUTTER REMOVAL AND REPLACEMENT
(AS DIRECTED BY THE ENGINEER)

Rev. Sheet 1-9-13

FILE NAME: <small>cd:\pwork\work\pwork\galbenj\100315726\010</small>	USER NAME: galbenj	DESIGNED:	REVISED:	STATE OF ILLINOIS DEPARTMENT OF TRANSPORTATION	PROPOSED TYPICAL CROSS SECTIONS			F.A.P. RTE.	SECTION	COUNTY	TOTAL SHEETS	SHEET NO.
	PLOT SCALE: 1/8" = 1'	CHECKED:	REVISED:		F.A.P. 350/ IL. 50 (CICERO AVE.)--STEEGER RD. TO GOVERNORS HWY.	350	(101W-EXT-R/R/S	WILL	31	7		
PLOT DATE: 1/9/2013	DATE:	REVISED:	REVISED:	SCALE:	SHEET NO.	OF SHEETS	STA.	TO STA.	FED. ROAD DIST. NO. 1	ILLINOIS FED. AID PROJECT	CONTRACT NO. 60V65	