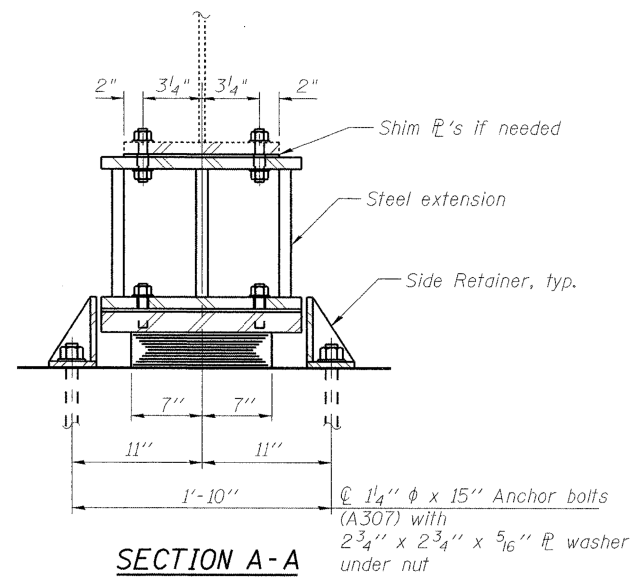
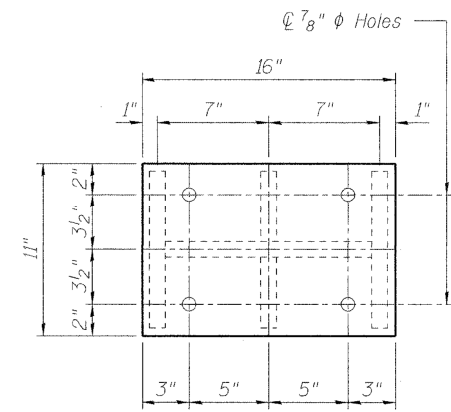


**ELEVATION AT ABUT.**

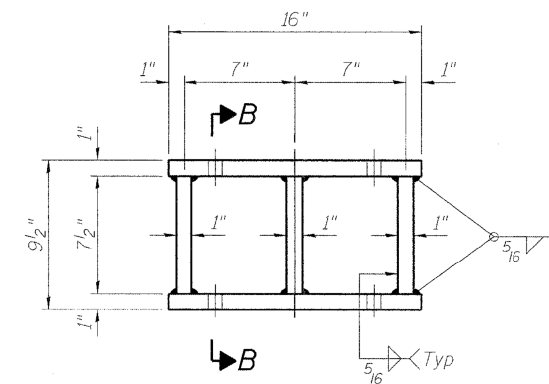


**SECTION A-A**

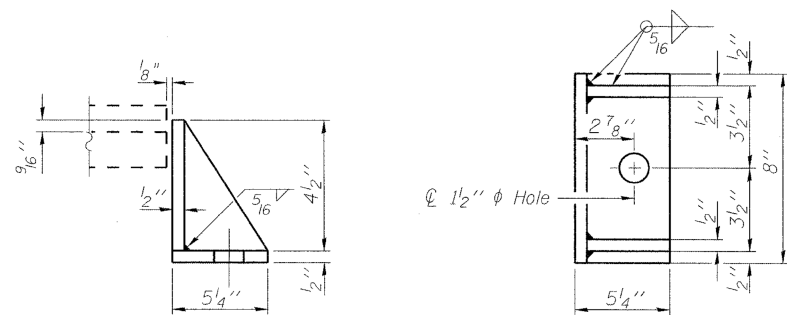
**TYPE I ELASTOMERIC EXP. BRG.**



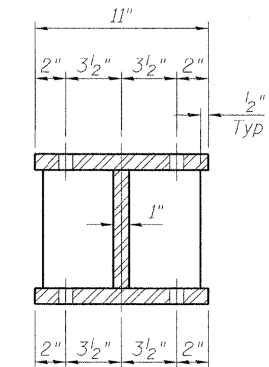
**PLAN TOP AND BOTTOM PLATE**



**STEEL EXTENSION DETAIL**



**SIDE RETAINER**



**SECTION B-B**

FILE NAME =	USER NAME = r1osfj	DESIGNED -	REVISED -
c:\pwwork\pwwork\rosfj\d0319439\0108613\sheet-plan.dgn		DRAWN -	REVISED -
	PLOT SCALE = 100.0000' / in.	CHECKED -	REVISED -
\$MODELNAME\$	PLOT DATE = 11/9/2012	DATE -	REVISED -

**STATE OF ILLINOIS  
DEPARTMENT OF TRANSPORTATION**

**LOCATION 1 (SN 016-1015)**

SCALE: SHEET 4 OF 4 SHEETS STA. TO STA.

F.A. RTE.	SECTION	COUNTY	TOTAL SHEETS	SHEET NO.
VAR.	2012-074BP	COOK	27	12
			CONTRACT NO. 60V84	
ILLINOIS NON - FED. AID PROJECT				