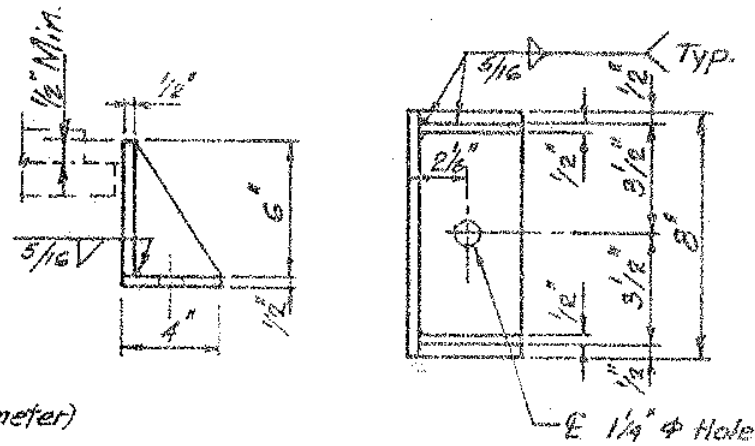
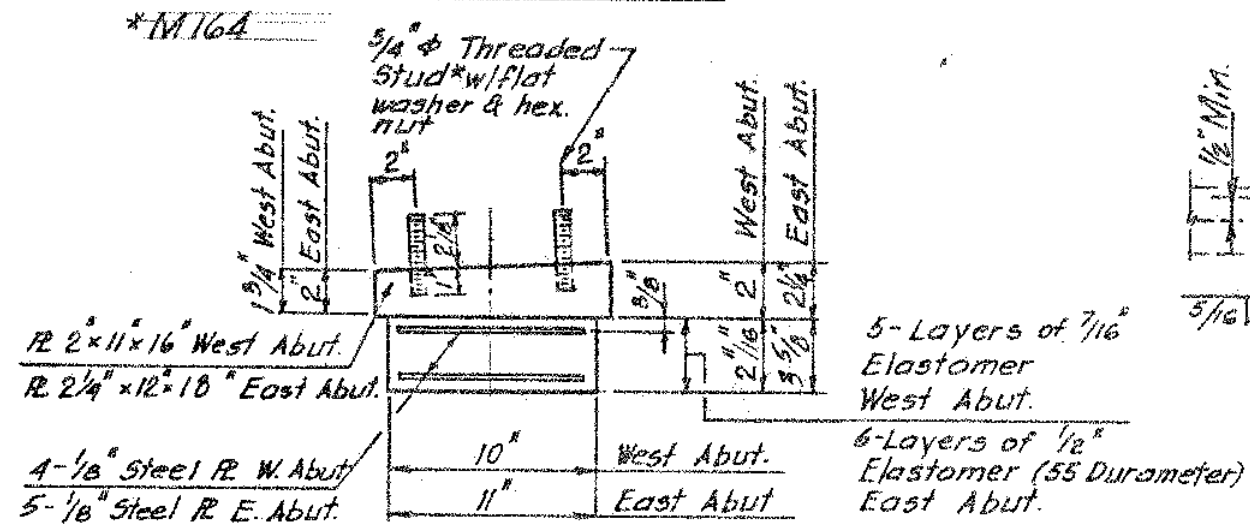
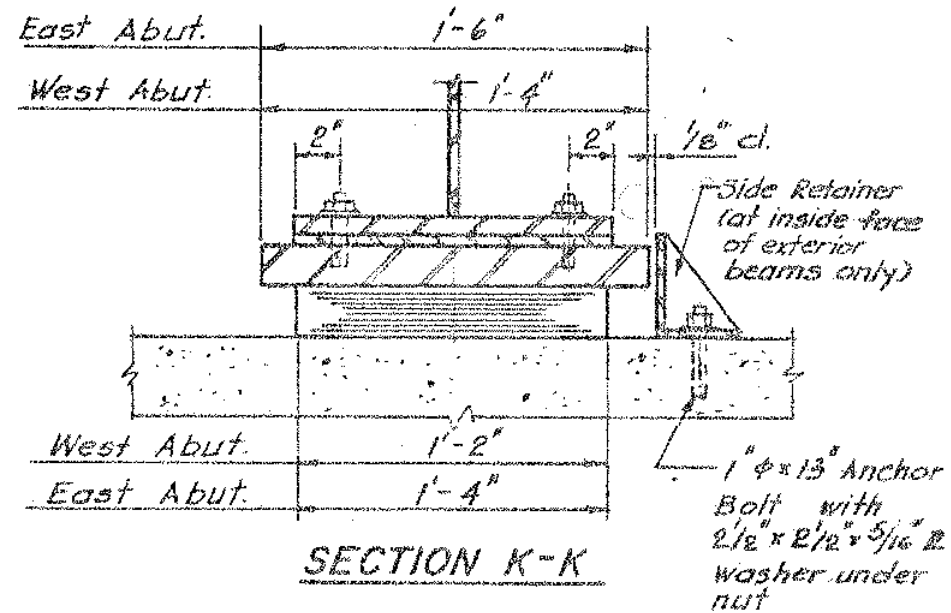
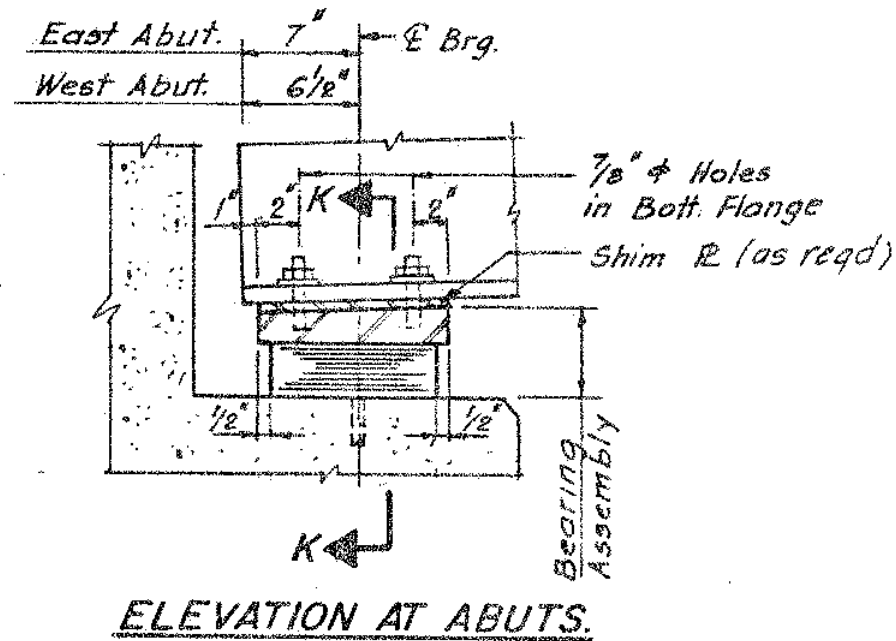


ROUTE	SECTION	COUNTY	TOTAL SHEETS	SHEET NUMBER
VARIOUS	2012-076BP	COOK	34	30

CONTRACT NO. 60V86



BEARING ASSEMBLY
AASHTO M 222, Grade 50

TYPE I ELASTOMERIC EXP. BRG.

SIDE RETAINER
Rolled L with stiffeners may be used in lieu of welded R's.

ILLINOIS DEPARTMENT OF
TRANSPORTATION

EXISTING BRIDGE PLAN
LOCATION 5
SN 016-0478

Roosevelt Rd. over I-90/94 Dan Ryan