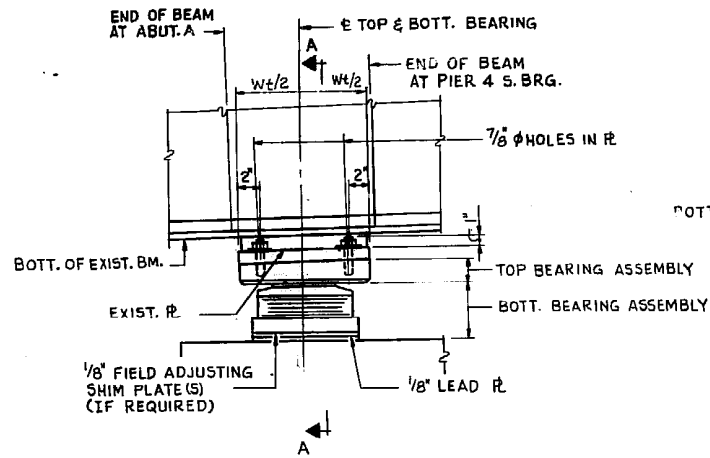
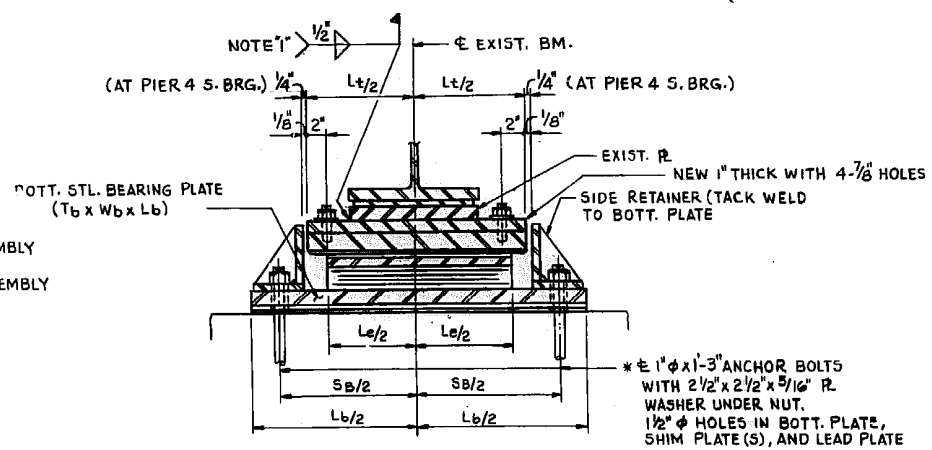


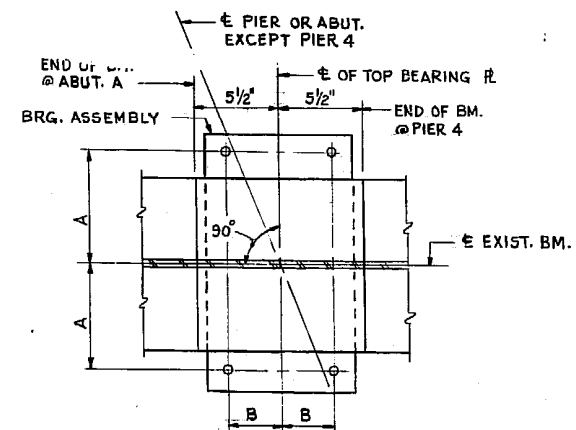
<b>ROUTE</b>	<b>SECTION</b>	<b>COUNTY</b>	<b>TOTAL SHEETS</b>	<b>SHEET NUMBER</b>
F.A.P. 348	2012-079BP	COOK	16	15



SIDE VIEW

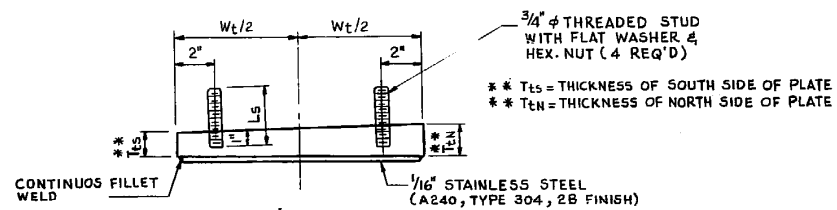


SECTION A-A

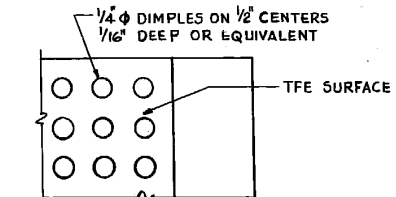


TYPICAL ORIENTATION OF BEARING ASSEMBLY

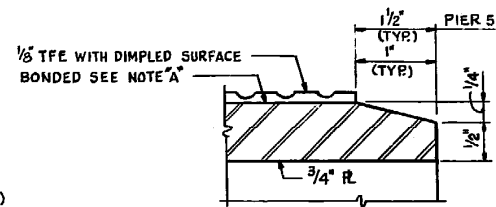
**TYPE II ELASTOMERIC EXP. BRG.**



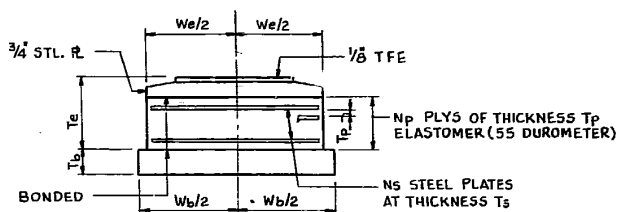
TOP BEARING ASSEMBLY



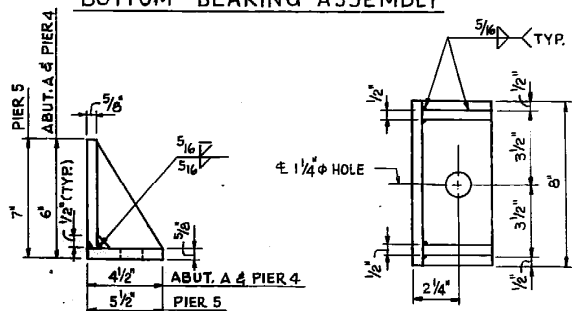
PLAN-TFE SURFACE



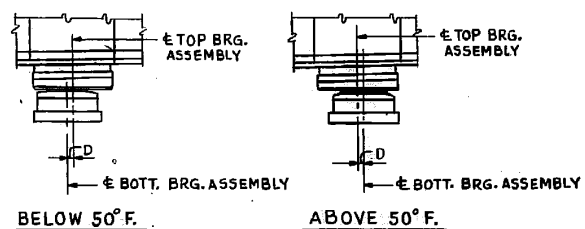
SECTION THRU TFE



BOTTOM BEARING ASSEMBLY



SIDE RETAINER  
(48 REQ'D)



BELOW 50°F.      ABOVE 50°F.

TABLE OF VARIABLES FOR EXPANSION VARIABLES			
VARIABLES	LOCATION		
	ABUT. 'C' BM 1 THRU 9	ABUT. 'D' BM 1 THRU 9	
ELASTOMER	Te (n)	3 3/8	3 1/2
	We (n)	7	7
	Le (n)	12	12
	TP (n)	3/8	3/8
	TS (n)	3/32	3/32
TOP PLATE	Tt (n)	2	2
	Wt (n)	8	8
	Lt (n)	14	14
	Ls (n)	2 7/8	2 7/8
BOTT. PLATE	Tb (n)	1 1/4	1 1/4
	Wb (n)	8	8
	Lb (n)	23	23
STUD	A (n)	3 3/4	3 3/4
	B (n)	2	2
No. REQ'D		9	9

ILLINOIS DEPARTMENT OF  
TRANSPORTATION  
EXISTING BRIDGE PLAN  
SN 016-0318  
N.B. IL 43 (HARLEM AVE.) OVER I.C.G. R.R.