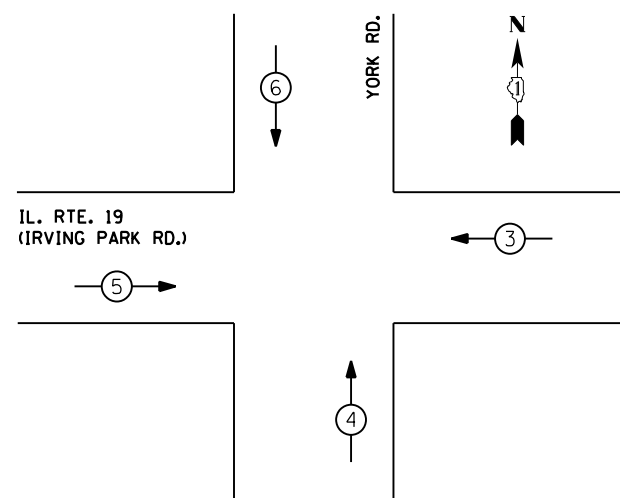
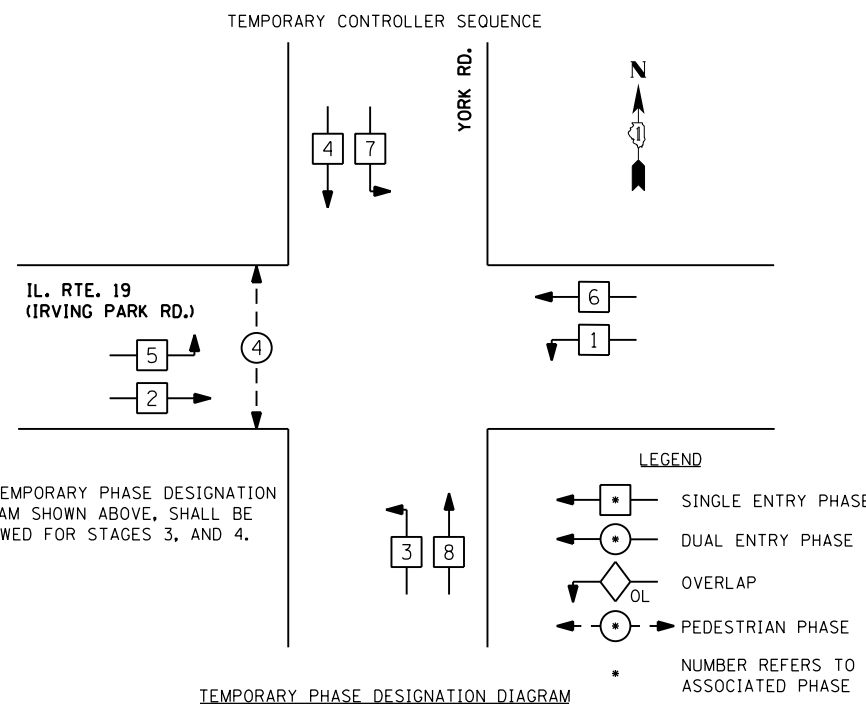


**TEMPORARY CABLE PLAN**  
STAGE 3, AND STAGE 4 CONSTRUCTION

THE TRAFFIC SIGNAL CONTROL EQUIPMENT FOR THIS PROJECT SHALL BE "EAGLE" TO MATCH THE EXISTING ADJACENT SYSTEM.

**NOTE:**  
THE TEMPORARY CABLE PLAN SHOWN ABOVE, SHALL BE FOLLOWED FOR STAGES 3, AND 4.



I.D.O.T. TRAFFIC SIGNAL INSTALLATION ELECTRICAL SERVICE REQUIREMENTS					
TYPE	NO LAMPS	WATTAGE		% OPERATION	TOTAL WATTAGE
		H.I.D.	LED		
SIGNAL (RED)	12		17	0.50	102
(YELLOW)	12		25	0.25	75
(GREEN)	12		15	0.25	45
ARROW	24		12	0.10	28.8
PED. SIGNAL	2		25	1.00	50
ILLUM. SIGN	-		25	0.10	-
FLASHER	-		100	1.00	-
VIDEO SYSTEM	1		150	1.00	150
LUMINAIRE	7	400		0.50	1400
				TOTAL =	1850.8

ENERGY COST TO:  
VILLAGE OF BENSenville  
700 WEST IRVING PARK ROAD  
BENSenville, ILLINOIS 60133

ENERGY SUPPLY CONTACT: CURTIS TOPPS  
PHONE: 630-691-4356  
COMPANY: COMED

<b>SINGH</b> SINGH & ASSOCIATES, INC. CONSULTING ENGINEERS 300 W. ADAMS ST. CHICAGO, IL 60606 TEL: (312) 629-0240 FAX: (312) 629-8449	USER NAME = user	DESIGNED - VP	REVISED -
	PLOT SCALE = *SCALE*	DRAWN - YJ	REVISED -
	PLOT DATE = 11/2/2012	CHECKED - LGP/GR	REVISED -
		DATE - 11-02-2012	REVISED -

**STATE OF ILLINOIS**  
**DEPARTMENT OF TRANSPORTATION**

**TEMPORARY CABLE PLAN, TEMPORARY PHASE DESIGNATION DIAGRAM, AND TEMPORARY EMERGENCY VEHICLE PREEMPTION SEQUENCE, STAGES 3, AND 4**  
**IL ROUTE 19 (IRVING PARK RD.) AT YORK ROAD**

SCALE: NTS SHEET NO. 9 OF 23 SHEETS STA. TO STA.

F.A.U. RTE.	SECTION	COUNTY	TOTAL SHEETS	SHEET NO.
1321	32VB	DUPAGE	388	121
CONTRACT NO. 60W01				
ILLINOIS FED. AID PROJECT				