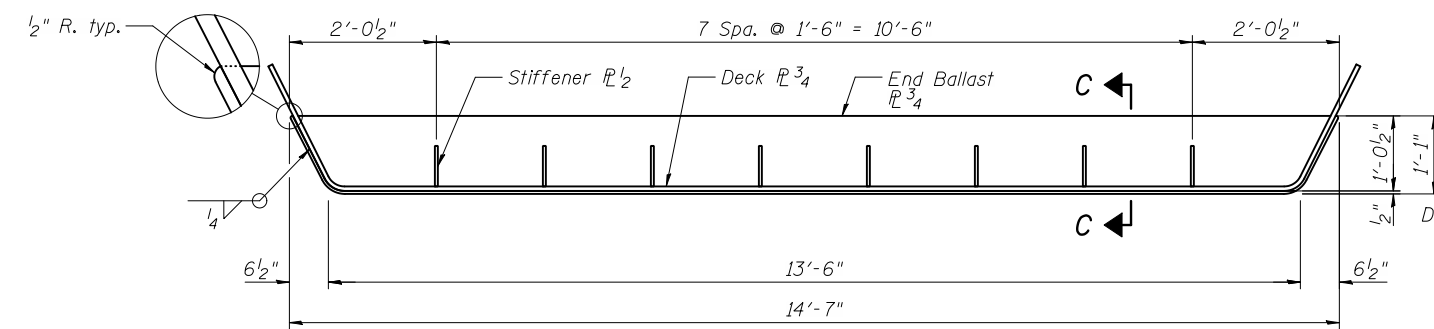


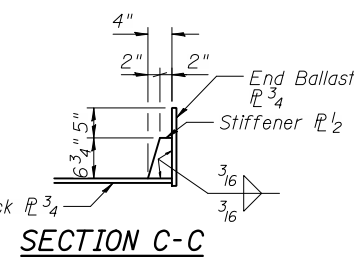
DECK PLATE PLAN AT ABUTMENT

Detail shown at location with 3 diaphragms. Detail at other locations similar, except only one diaphragm is present at CL track; since deck is not supported by the single diaphragm at these locations, connection to single diaphragm is not required.

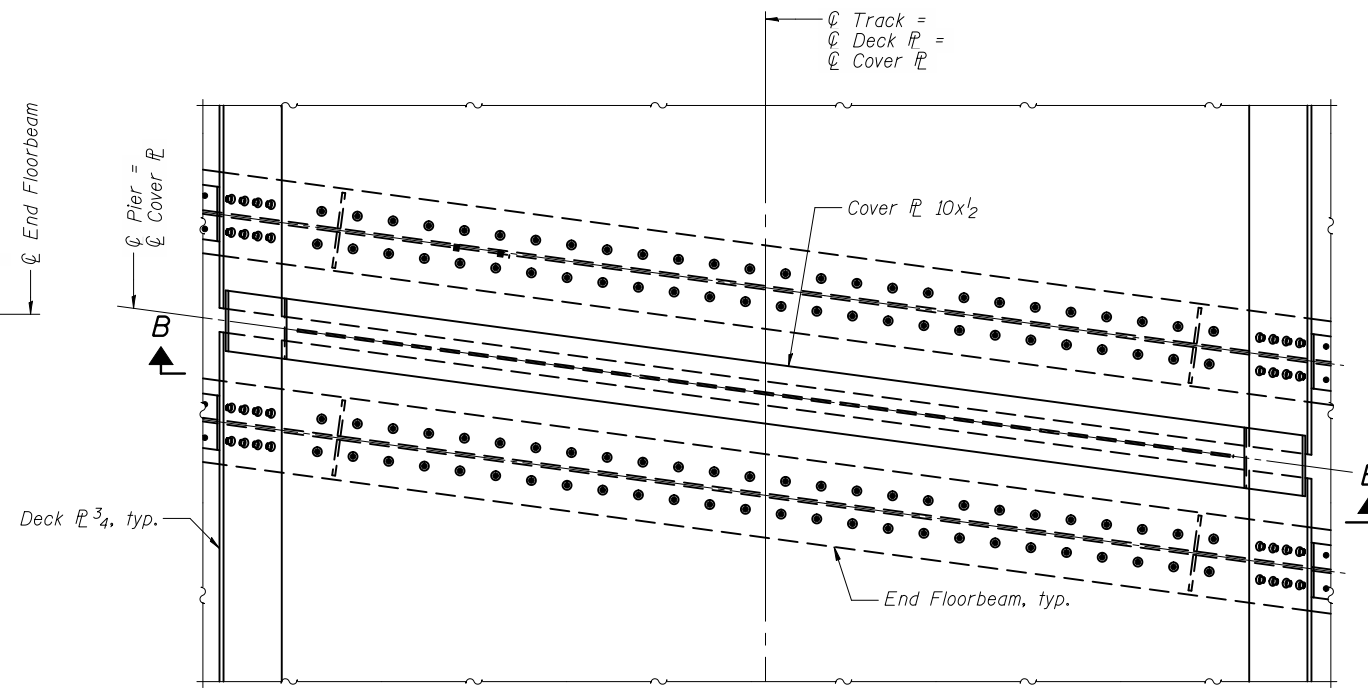


SECTION A-A

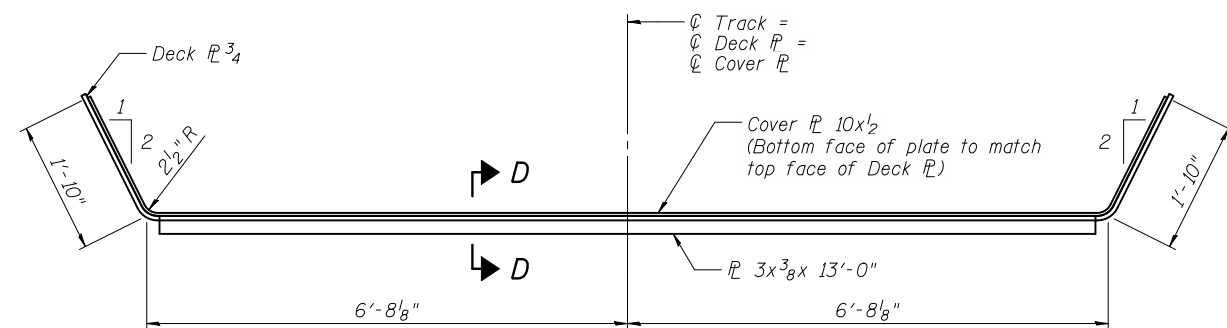
Note:
End ballast plate is sized for proposed track elevation
Future ballast raises may require modification of the ballast plate.



SECTION C-C

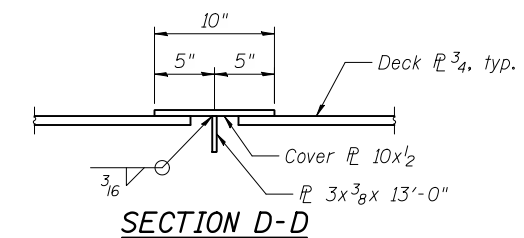


PLAN - COVER PLATE AT PIER



SECTION B-B

End Floorbeam and End Walkway Supports not shown for clarity.



SECTION D-D

cc:\pwworking\oma\0463409\0220226-60842-006-DPD.DGN
jmgus

11/2/2012 11:22:07 AM



USER NAME = jmgus	DESIGNED - AMM	REVISED -
FILE NAME = 0220226-60842-006-DPD.DGN	CHECKED - LAG	REVISED -
PLOT SCALE = NONE	DRAWN - RMA	REVISED -
PLOT DATE = 11/2/2012	CHECKED - AMM	REVISED -

**STATE OF ILLINOIS
DEPARTMENT OF TRANSPORTATION**

**DECK PLATE AND COVER PLATE DETAILS
STRUCTURE NO. 022-0226**

SHEET NO. 6 OF 43 SHEETS

F.A.U. RTE.	SECTION	COUNTY	TOTAL SHEETS	SHEET NO.
1321	32VB	DU PAGE	388	147
CONTRACT NO. 60W01				

ILLINOIS FED. AID PROJECT