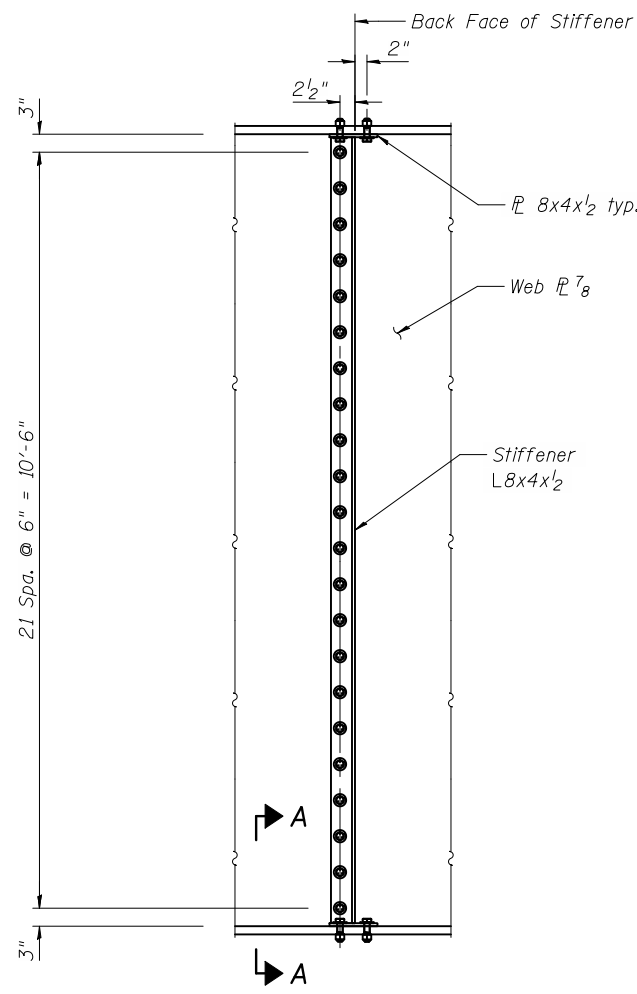
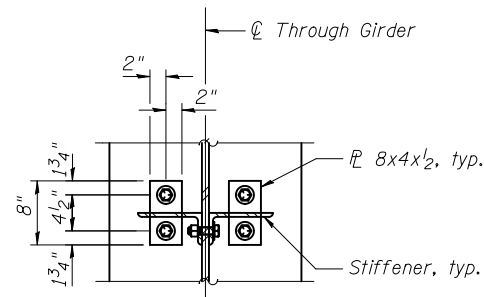


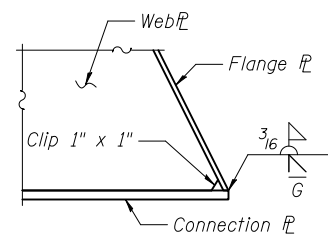
TYPICAL SECTION



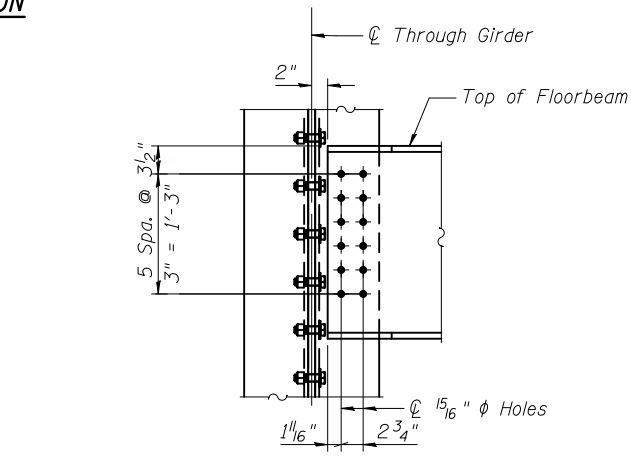
STIFFENER CONNECTION DETAIL



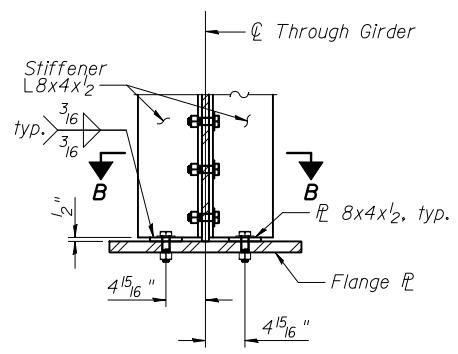
SECTION B-B



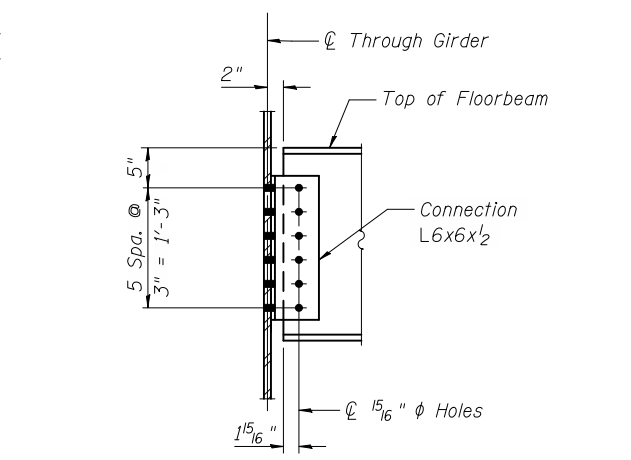
KNEEBRACE AND WALKWAY SUPPORT WEB CLIP DETAIL



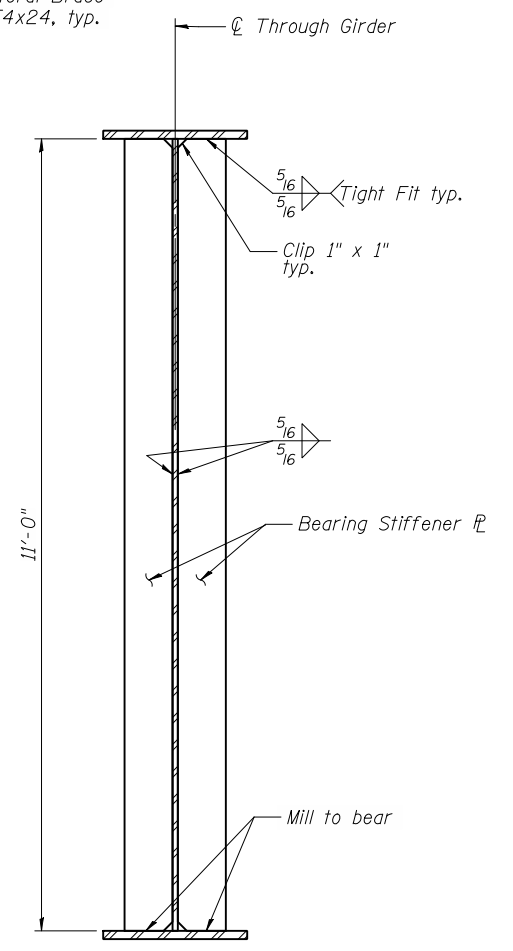
FLOORBEAM CONNECTION AT STIFFENERS



SECTION A-A



FLOORBEAM CONNECTION AT GIRDER WEB



BEARING STIFFENER

11/2/2012 11:23:03 AM c:\pwworking\oma\0463409\0220226-60842-012-TYP.DGN jmlgus



USER NAME = jmlgus
 FILE NAME = 0220226-60842-012-TYP.DGN
 PLOT SCALE = NONE
 PLOT DATE = 11/2/2012

DESIGNED - AMM
 CHECKED - LAG
 DRAWN - RMA
 CHECKED - AMM

REVISED -
 REVISED -
 REVISED -
 REVISED -

STATE OF ILLINOIS
 DEPARTMENT OF TRANSPORTATION

TYPICAL SECTION AND DETAILS
 STRUCTURE NO. 022-0226

SHEET NO. 12 OF 43 SHEETS

F.A.U. RTE.	SECTION	COUNTY	TOTAL SHEETS	SHEET NO.
1321	32VB	DU PAGE	388	153
				CONTRACT NO. 60W01
ILLINOIS FED. AID PROJECT				