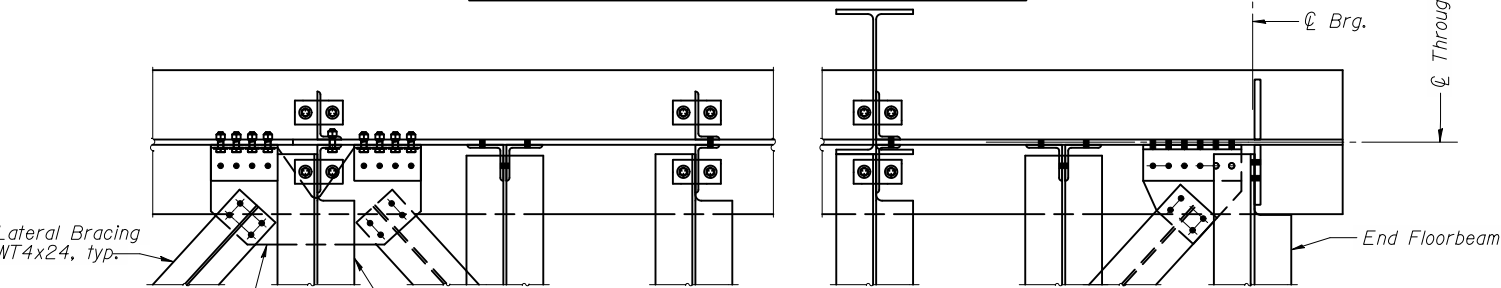
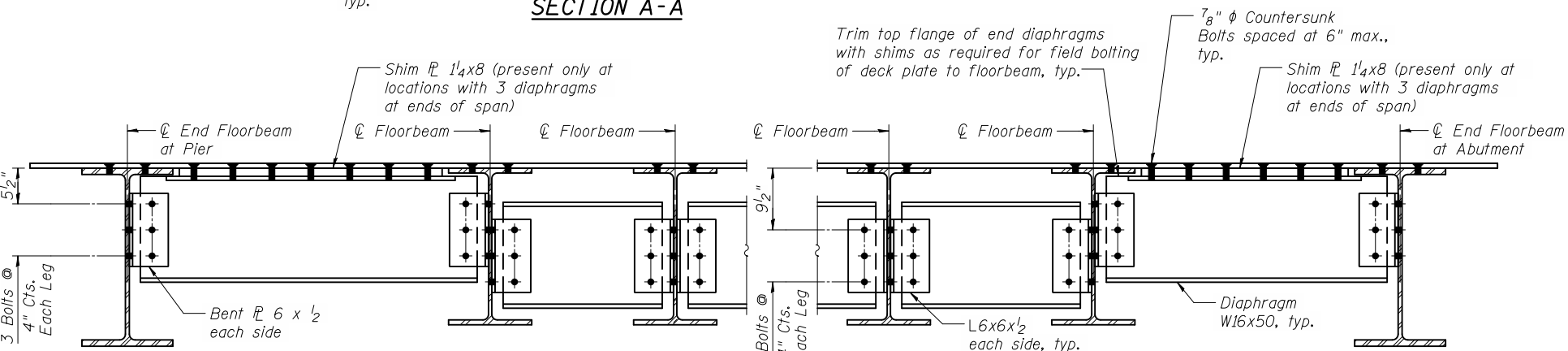


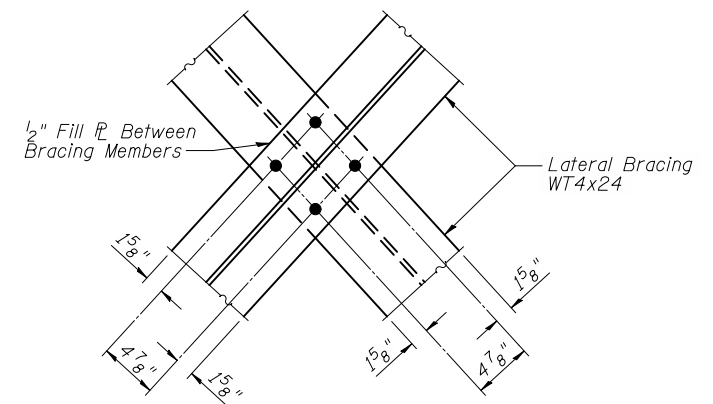
PARTIAL THROUGH GIRDER ELEVATION



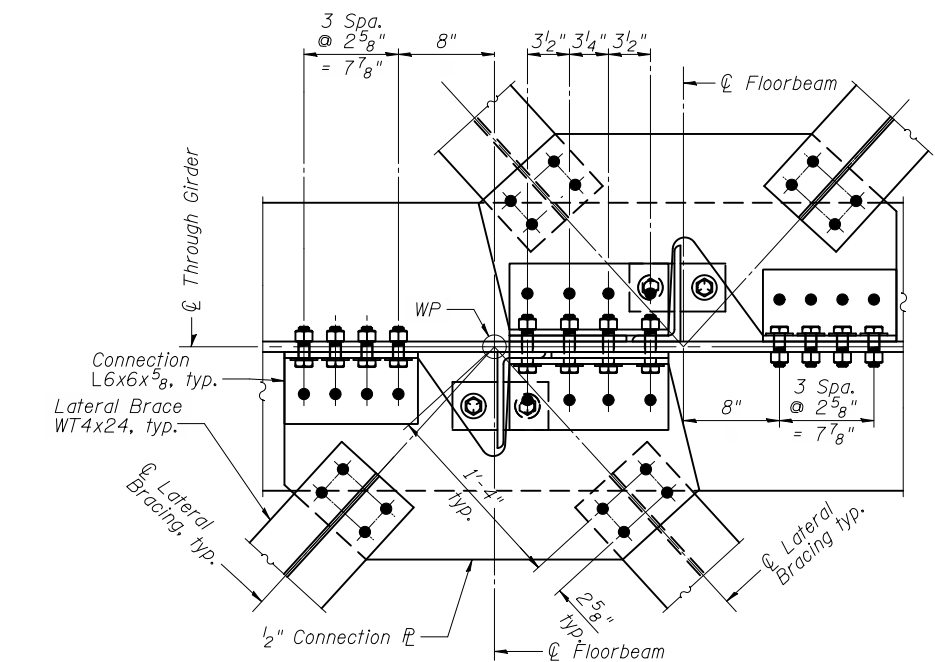
SECTION A-A



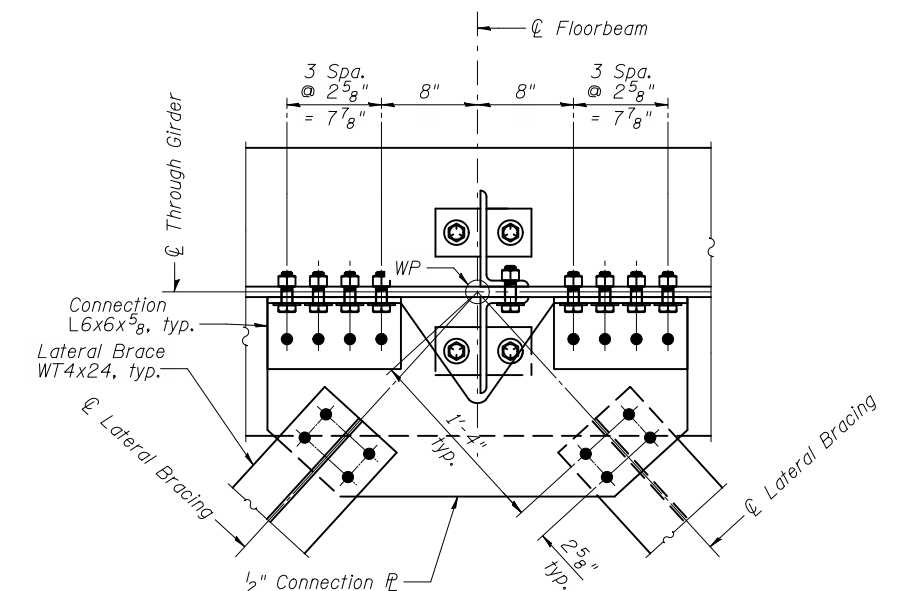
DIAPHRAGM ELEVATION



BRACING INTERSECTION DETAIL



TYPICAL BRACING CONNECTION DETAIL - CENTER THROUGH GIRDER



TYPICAL BRACING CONNECTION DETAIL - EXTERIOR THROUGH GIRDER

ca:\pwworking\oma\0463409\0220226-60842-015-FRD.DGN
jmgus

11/2/2012 11:23:24 AM



USER NAME = jmgus	DESIGNED - AMM	REVISED -
FILE NAME = 0220226-60842-015-FRD.DGN	CHECKED - LAG	REVISED -
PLOT SCALE = NONE	DRAWN - RMA	REVISED -
PLOT DATE = 11/2/2012	CHECKED - AMM	REVISED -

**STATE OF ILLINOIS
DEPARTMENT OF TRANSPORTATION**

**LATERAL BRACING DETAILS 1
STRUCTURE NO. 022-0226**

SHEET NO. 15 OF 43 SHEETS

F.A.U. RTE.	SECTION	COUNTY	TOTAL SHEETS	SHEET NO.
1321	32VB	DU PAGE	388	156
CONTRACT NO. 60W01				

ILLINOIS FED. AID PROJECT