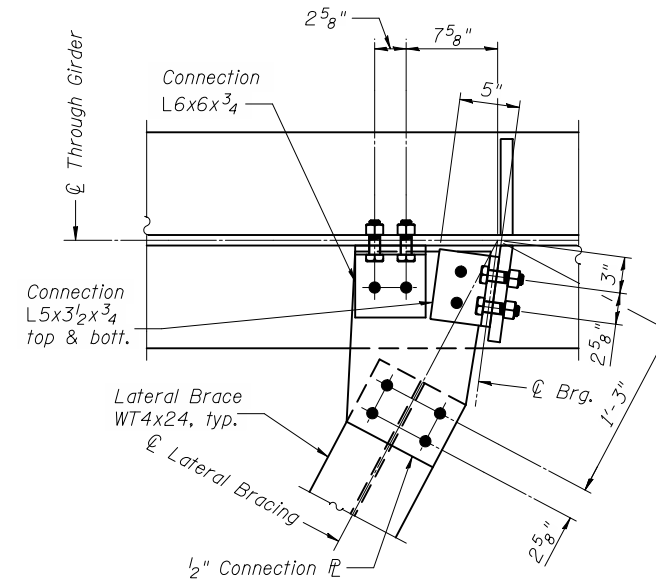
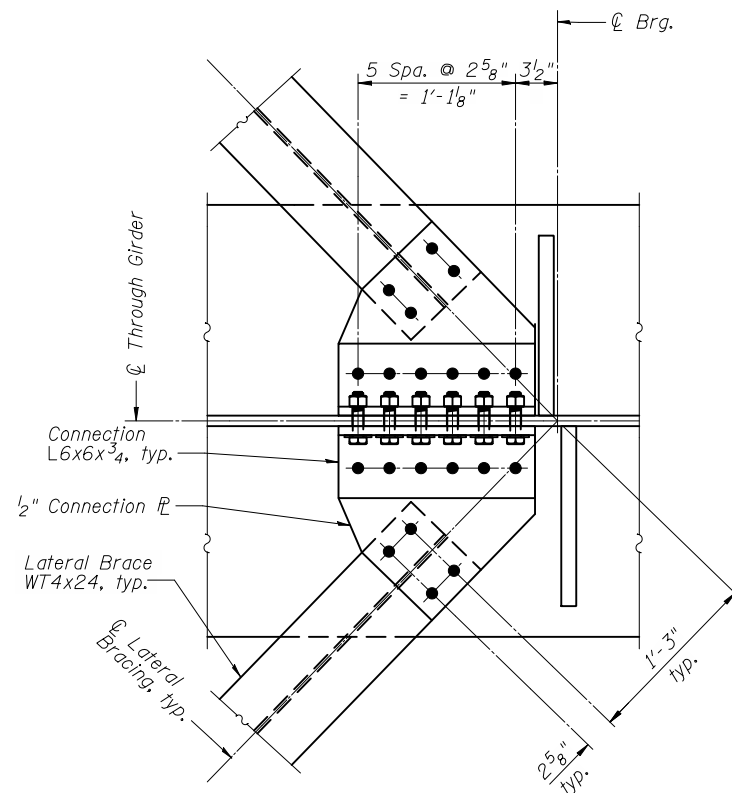


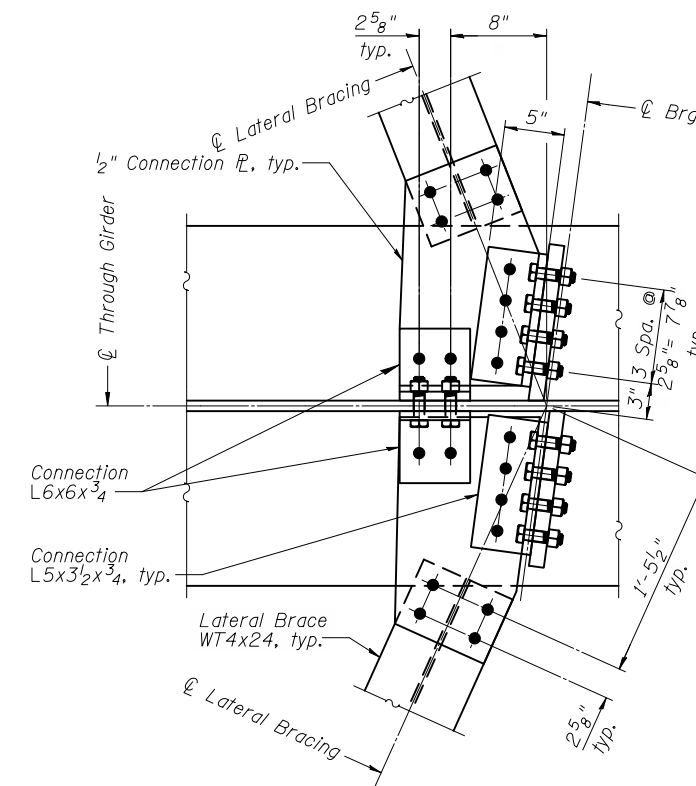
TYPICAL BRACING END CONNECTION DETAIL - EXTERIOR THROUGH GIRDER AT ABUTMENTS



TYPICAL BRACING END CONNECTION DETAIL - EXTERIOR THROUGH GIRDER AT PIER



TYPICAL BRACING END CONNECTION DETAIL - INTERIOR THROUGH GIRDER AT ABUTMENTS



TYPICAL BRACING END CONNECTION DETAIL - INTERIOR THROUGH GIRDER AT PIER

cc:\pwworking\oma\0463409\0220226-60842-016-SOC.DGN
jmgus

11/2/2012
11:23:31 AM



USER NAME = jmgus
FILE NAME = 0220226-60842-016-SOC.DGN
PLOT SCALE = NONE
PLOT DATE = 11/2/2012

DESIGNED - AMM
CHECKED - LAG
DRAWN - RMA
CHECKED - AMM
REVISED -
REVISED -
REVISED -
REVISED -

STATE OF ILLINOIS
DEPARTMENT OF TRANSPORTATION

LATERAL BRACING DETAILS 2
STRUCTURE NO. 022-0226

SHEET NO. 16 OF 43 SHEETS

F.A.U. RTE.	SECTION	COUNTY	TOTAL SHEETS	SHEET NO.
1321	32VB	DU PAGE	388	157
CONTRACT NO. 60W01				

ILLINOIS FED. AID PROJECT