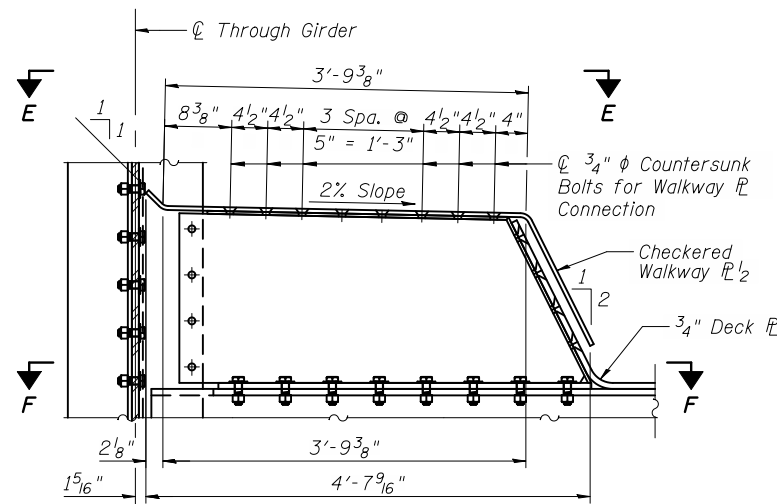
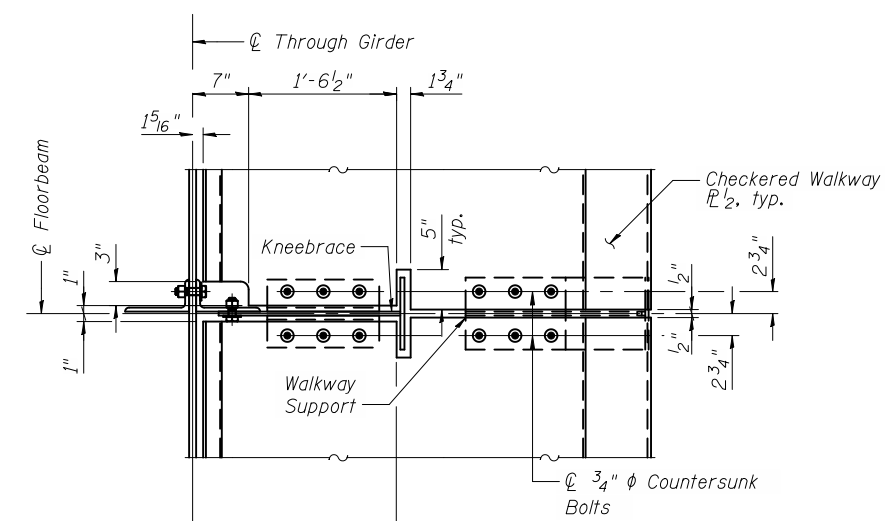


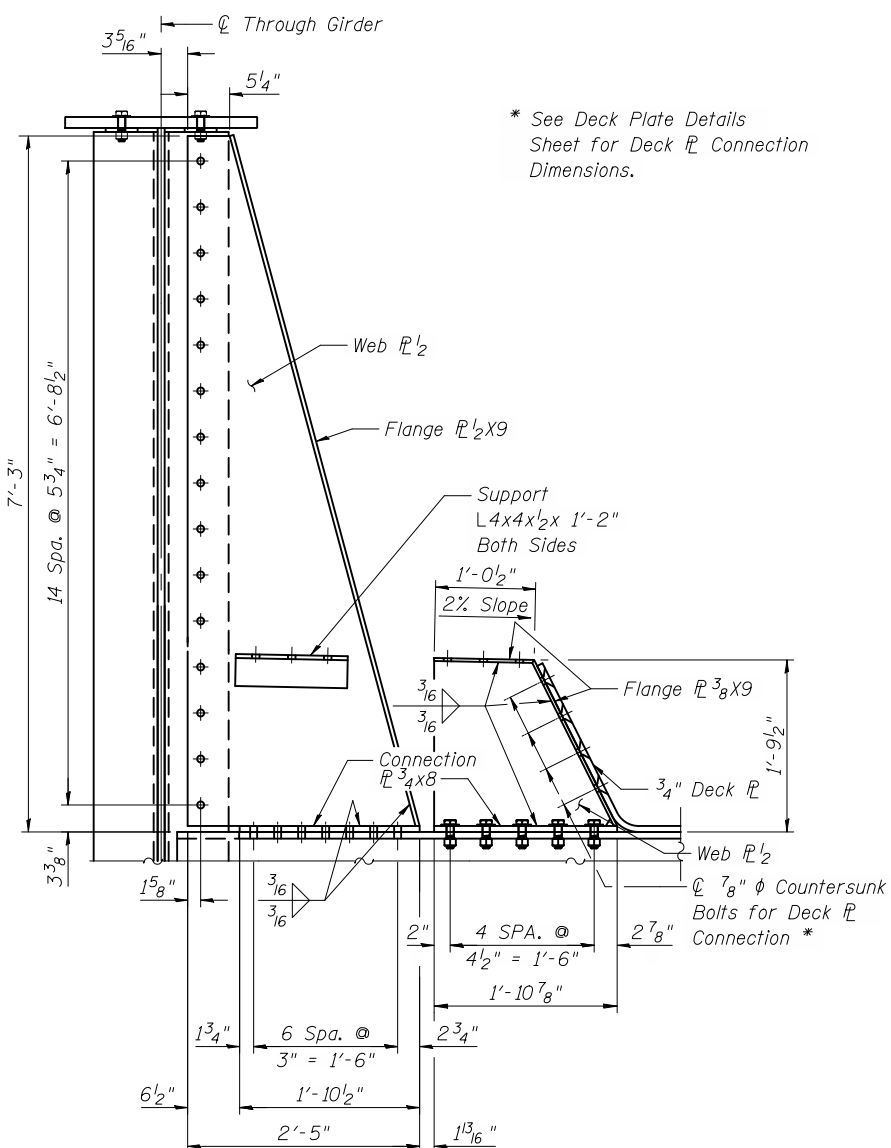
WALKWAY PLATE AT KNEEBRACE



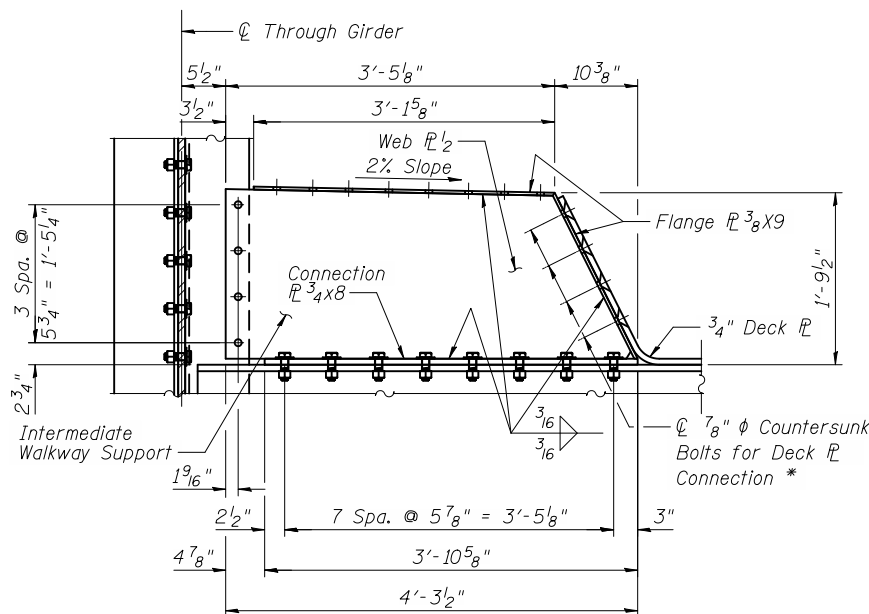
WALKWAY PLATE AT INTERMEDIATE SUPPORT



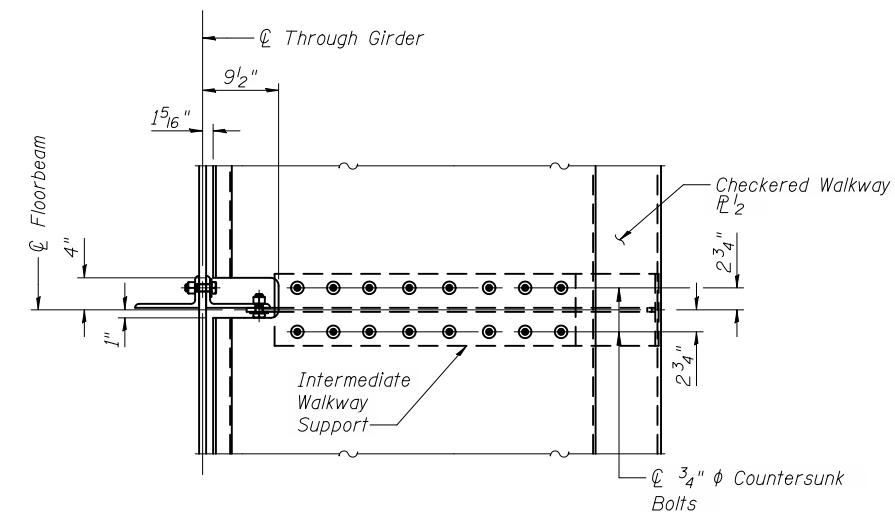
SECTION C-C



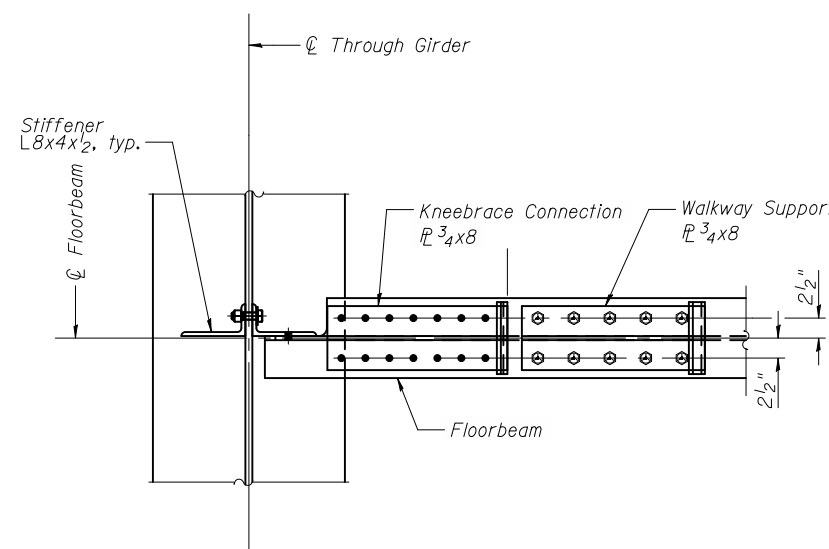
KNEEBRACE AND WALKWAY SUPPORT



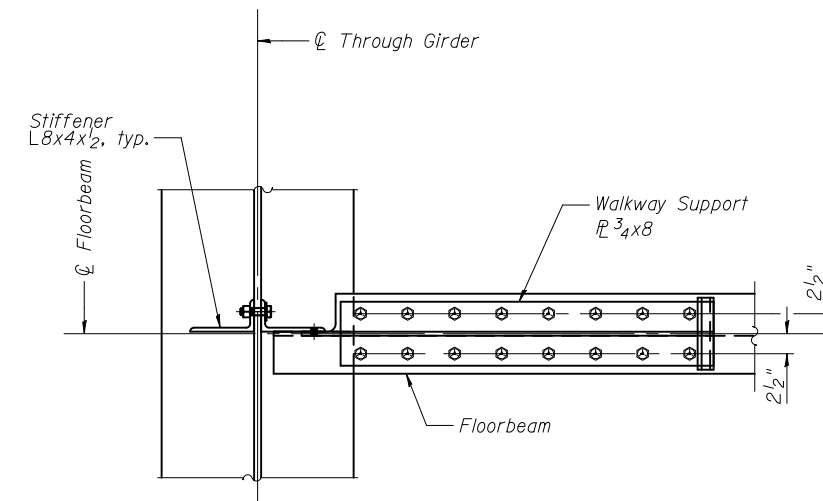
INTERMEDIATE WALKWAY SUPPORT



SECTION E-E



SECTION D-D



SECTION F-F

* See Deck Plate Details Sheet for Deck Plate Connection Dimensions.

ca:\pwworking\oma\0463409\0220226-60842-017-TYP.DGN
jmlgus

11/2/2012
11:23:41 AM



USER NAME = jmlgus	DESIGNED - AMM	REVISED -
FILE NAME = 0220226-60842-017-TYP.DGN	CHECKED - LAG	REVISED -
PLOT SCALE = NONE	DRAWN - RMA	REVISED -
PLOT DATE = 11/2/2012	CHECKED - AMM	REVISED -

**STATE OF ILLINOIS
DEPARTMENT OF TRANSPORTATION**

**KNEE BRACE AND WALKWAY SUPPORT DETAILS
STRUCTURE NO. 022-0226**

SHEET NO. 17 OF 43 SHEETS

F.A.U. RTE.	SECTION	COUNTY	TOTAL SHEETS	SHEET NO.
1321	32VB	DU PAGE	388	158
CONTRACT NO. 60W01				

ILLINOIS FED. AID PROJECT