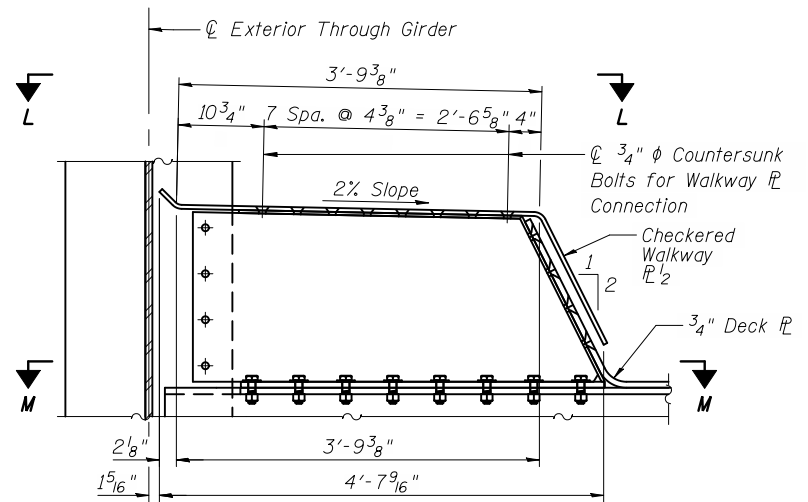
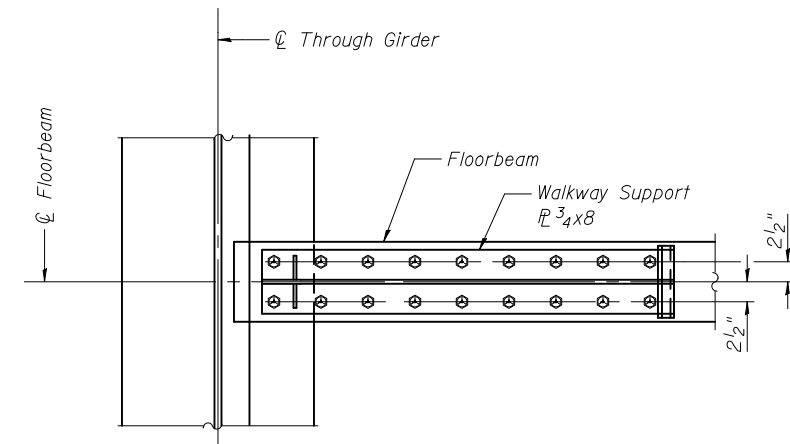


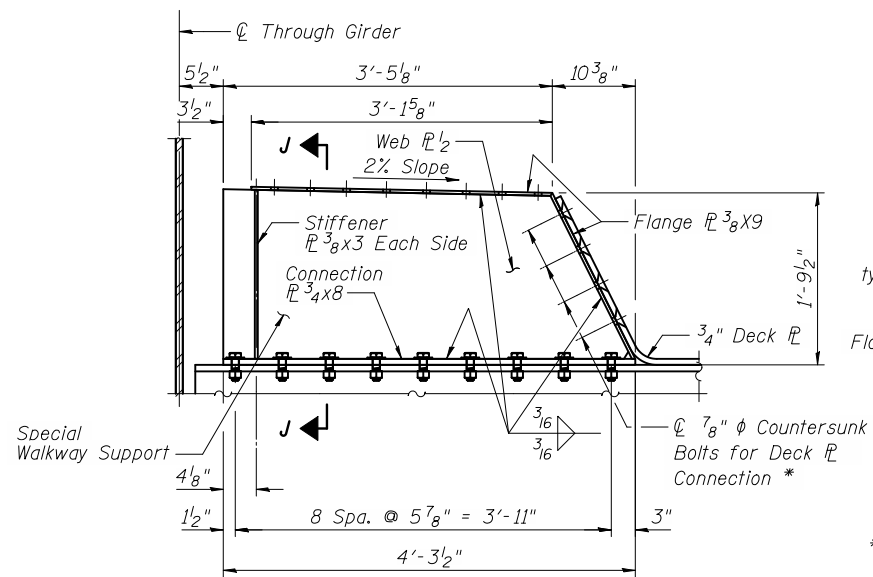
**WALKWAY PLATE AT SPECIAL SUPPORT**



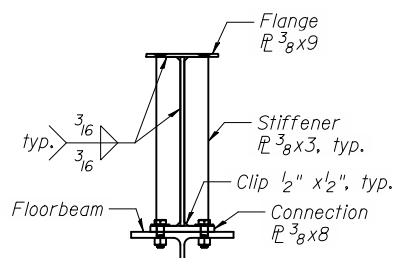
**WALKWAY PLATE AT AT END SUPPORT - EXTERIOR GIRDER**



**SECTION H-H**

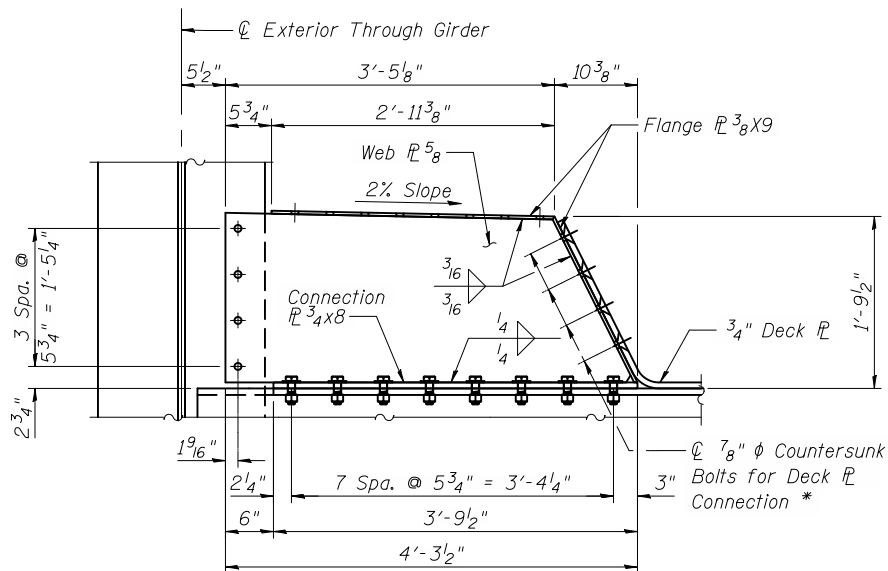


**SPECIAL WALKWAY SUPPORT**

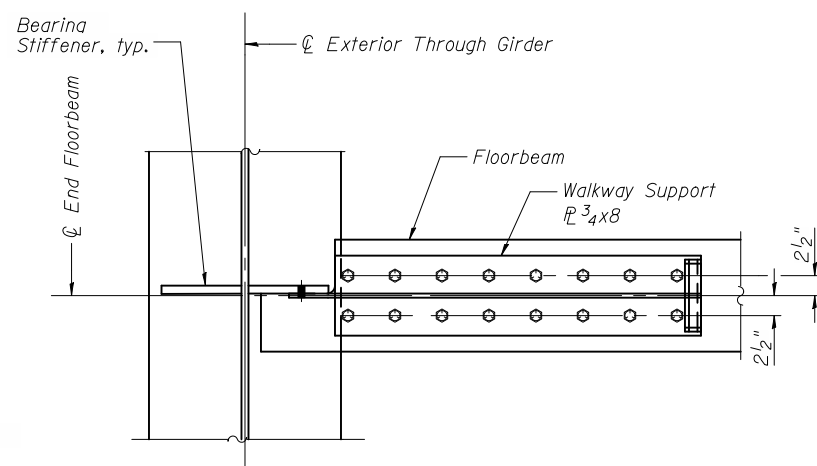


**SECTION J-J**

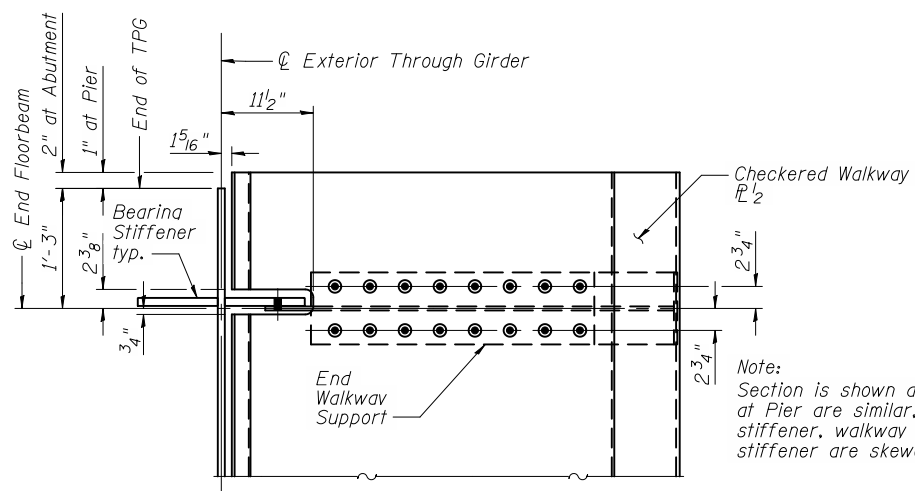
\* See Deck Plate Details Sheet for Deck PL Connection Dimensions.



**END WALKWAY SUPPORT - EXTERIOR GIRDER**

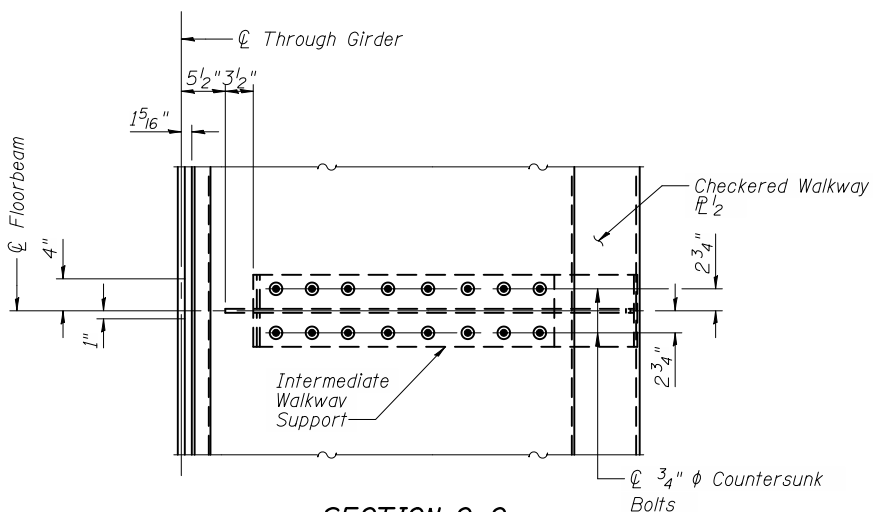


**SECTION M-M**



**SECTION L-L**

Note: Section is shown at abutment. Walkway and support at Pier are similar, except that the support, bearing stiffener, walkway plate and walkway cutout at the stiffener are skewed.



**SECTION G-G**

cc:\pwworking\oma\0463409\0220226-60842-018-TYP.DGN  
jmlgus

11/2/2012 11:23:52 AM



USER NAME = jmlgus	DESIGNED - AMM	REVISED -
FILE NAME = 0220226-60842-018-TYP.DGN	CHECKED - LAG	REVISED -
PLOT SCALE = NONE	DRAWN - RMA	REVISED -
PLOT DATE = 11/2/2012	CHECKED - AMM	REVISED -

**STATE OF ILLINOIS  
DEPARTMENT OF TRANSPORTATION**

**CHECKERED WALKWAY AND WALKWAY SUPPORT DETAILS 1  
STRUCTURE NO. 022-0226**

SHEET NO. 18 OF 43 SHEETS

F.A.U. RTE.	SECTION	COUNTY	TOTAL SHEETS	SHEET NO.
1321	32VB	DU PAGE	388	159
CONTRACT NO. 60W01				
ILLINOIS FED. AID PROJECT				