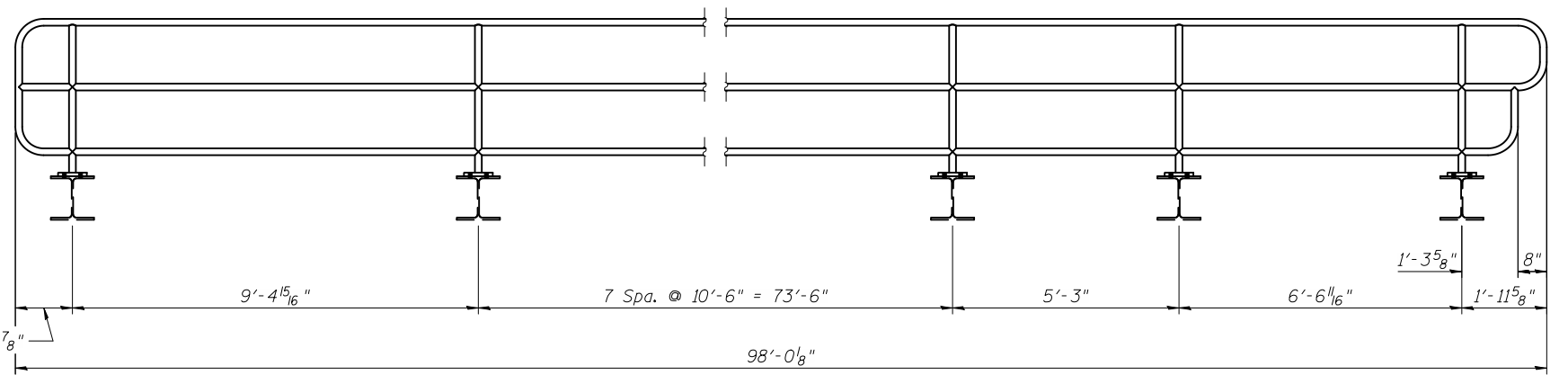
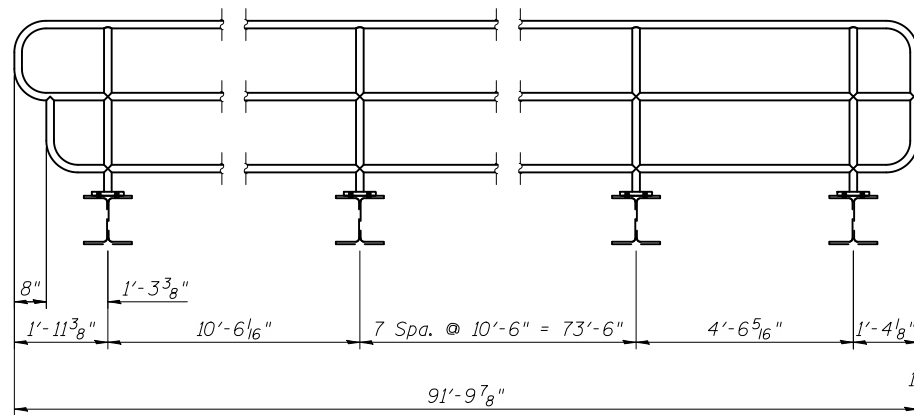


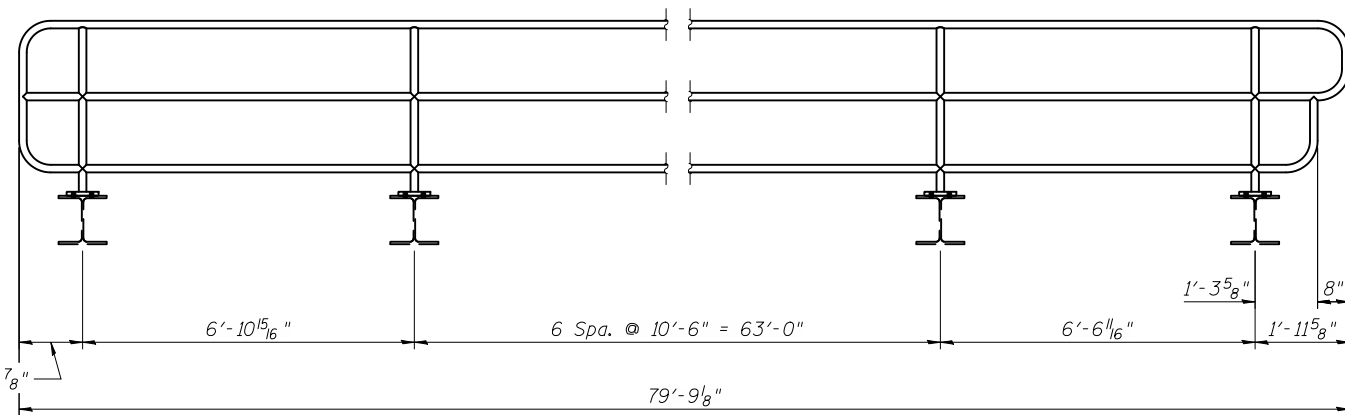
HANDRAIL ELEVATION - SPAN 1 EAST SIDE



HANDRAIL ELEVATION - SPAN 2 EAST SIDE



HANDRAIL ELEVATION - SPAN 2 WEST SIDE



HANDRAIL ELEVATION - SPAN 1 WEST SIDE

11/2/2012 11:24:22 AM c:\pwworking\oma\0463409\0220226-60842-021-HDT.DGN jmlgus



USER NAME = jmlgus	DESIGNED - AMM	REVISED -
FILE NAME = 0220226-60842-021-HDT.DGN	CHECKED - LAG	REVISED -
PLOT SCALE = NONE	DRAWN - RMA	REVISED -
PLOT DATE = 11/2/2012	CHECKED - AMM	REVISED -

**STATE OF ILLINOIS
DEPARTMENT OF TRANSPORTATION**

**HANDRAIL ELEVATIONS
STRUCTURE NO. 022-0226**

SHEET NO. 21 OF 43 SHEETS

F.A.U. RTE.	SECTION	COUNTY	TOTAL SHEETS	SHEET NO.
1321	32VB	DU PAGE	388	162
CONTRACT NO. 60W01				
ILLINOIS FED. AID PROJECT				